

**Venetian**

50mm High Profile (50 x 58mm) -----	A1
50mm High Profile Mono (50 x 58mm) -----	A7
50mm Low Profile (38 x 57mm) -----	A9
35mm (37 x 41mm) -----	A11
25mm (24 x 25mm) -----	A14
25mm (24 x 26mm) -----	A20
25mm Mono (24 x 26mm) -----	A21
25mm (19 x 27mm) -----	A22
Double Glass -----	A23

**Vertical**

Wide Body High Profile (33 x 44mm) -----	B1
Wide Body Low Profile (25 x 44mm) -----	B8
Narrow Body (28 x 28mm) -----	B11

**Roman**

Chain (Economy) -----	C1
Chain (Curved Headrail) -----	C2
Chainless -----	C3
Cordless -----	C4
Chain (Timber Headrail) -----	C5
Cord (Heavy Duty) -----	C6
Cord (Light Duty) -----	C7
Accessories -----	C8
Accessories (Woven Wood)-----	C10

**Roller**

Chain -----	D1
Twin Pull -----	D8
Spring Lift -----	D9
Universal Fascia -----	D13
Cassette / Zebra -----	D14
Zebra -----	D18
Cordless Zebra -----	D19
Cordless Cassette / Zebra-----	D20
Zebra Base Bar -----	D21
Motor (38mm Tube) -----	D22
Motor (45mm Tube) -----	D23

**Panel**

Track -----	E1
Slim Track -----	E3

**Pleated and Honeycomb**

20, 25, 38mm & Accessories -----	F1
----------------------------------	----

**Curtain**

Cord -----	G1
Cord (Heavy Duty) -----	G3
Silent System-----	G4
Wand & Ripple -----	G5
Universal Carrier -----	G9
Easy Bend Track -----	G10
Hospital Track -----	G11
Commercial Track-----	G12
Accessories -----	G13

**System Assembly -----** H1

**Fabric -----** I1

**Machinery and Equipment -----** J1



**1010020-500001**

**HEADRAIL**  
Roll formed, 5m per piece. Steel. Painted. Customized colors available. Wood grain finish available.



**1030110-000000**

**END CAP**  
Inside fit. Plastic. Natural color.



**1030220-000000**

**END CAP**  
Inside fit. Plastic. Natural color.



**1030330-000000**

**END CAP**  
Outside fit. Plastic. Natural color.



**1020113-000001**

**BRACKET**  
Box bracket set, pair left and right hand side. End install. Steel. Painted. Customized colors available.



**1020330-000007**

**BRACKET**  
Quick snap install. Ceiling mount. Steel. Zinc.



**1020220-000007**

**BRACKET**  
Quick snap install. Wall and ceiling mount. Steel. Zinc.



**1020440-000007**

**BRACKET**  
Swivel lock. Wall and ceiling mount. Steel. Zinc.



**1025000-008000**

**SPACER BLOCK**  
8 slots. Plastic. Clear.



**1027020-000001**

**BRACKET**  
Centre support. Wall and ceiling mount. Steel. Zinc and painted. Customized colors available.



**1028020-000007**

**BRACKET**  
U centre support. Steel. Zinc.



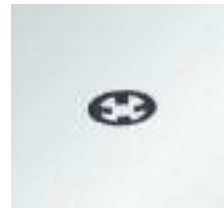
**1090020-060007**

**CONTROL ROD**  
6.0mm square. Steel. Zinc. 6.3mm square - 1090020-063007



**1091020-060007**

**CONTROL ROD**  
6.0mm hex. Steel. Zinc.



**1035330-000002**

**LOCK WASHER**  
Spring steel. Black.



**1035110-000002**

**STOPPER**  
For 6mm rod Plastic. Black.



**1035220-000002**

**STOPPER SLEEVE**  
For 6.0 & 6.3mm square or 6.0mm hex rod. Rubberised. Black.



**1032110-460000**

**TILTER**

Cord operation. Plastic drive. For 6.0mm square rod. 6.3mm square - 1032110-463000 6.0mm hex - 1032110-660000



**1032220-460000**

**TILTER**

Cord operation. Metal drive. For 6.0mm square rod. 6.3mm square - 1032220-463000 6.0mm hex - 1032220-660000



**1033110-463001**

**TILTER**

Cord operation. For 6.3mm square rod. Plastic body. White. 6mm hex - 1033110-660001



**1033220-463001**

**TILTER**

Cord operation. For 6.3mm square rod. Plastic body. White.



**1034110-460001**

**TILTER**

Wand control. For 6.0mm square rod. Hook with clear sleeve. 6.3mm square - 1034110-463001



**1034220-460001**

**TILTER**

Wand control. For 6.0mm square rod. Metal stem with hole. 6.3mm square - 1034220-463000



**1034330-463001**

**TILTER**

Wand control. Metal drive. For 6.3mm square rod. Hook with clear sleeve.



**1036110-000000**

**TAPE ROLL SUPPORT**

Single roller. For ladder tape. Plastic. Natural color.



**1036220-000000**

**TAPE ROLL SUPPORT**

Single roller. For ladder string. Plastic. Natural color.



**1036330-000000**

**TAPE ROLL SUPPORT**

Twin rollers. For ladder string. Plastic. Natural color.



**1036440-000000**

**TAPE ROLL SUPPORT**

Single plastic wheel. Plastic.



**1036551-000007**

**TAPE ROLL SUPPORT**

Single roller. Left side. Steel. Zinc. Right side - 1036552-000007



**1037110-460000**

**TAPE ROLL**

For 6.0mm square rod, ladder tape and string. Fit support 1036110, 1036220. Plastic. Natural color.



**1037220-660000**

**TAPE ROLL**

Short axle for 6.0mm hex rod, ladder tape and string. Fit support 1036330. Plastic. Natural.



**1037440-463007**

**TAPE ROLL**

For 6.3mm square rod, ladder tape. Fit support 1036551. Steel. Zinc. 6.0mm square - 1037440-460007



**1037550-463007**

**TAPE ROLL**

For 6.3mm square rod, ladder string. Fit support 1036551. Steel. Zinc.



**1037330-660002**

**TAPE ROLL**

For 6.0mm hex rod. Fits support 1036440. Plastic. Black. 6.0mm square, white - 1037330-460001



**1038110-018007**

**CORD LOCK**

Swivel with plastic roller. For cord 1.8~2.0mm. Steel. Zinc.



**1038110-022007**

**CORD LOCK**

Swivel with plastic roller. For cord 2.2~2.5mm. Steel. Zinc.



**1038220-018007**

**CORD LOCK**

Swivel with plated brass roller. For cord 1.8~2.0mm. Steel. Zinc.



**1038220-022007**

**CORD LOCK**

Swivel with plated brass roller. For cord 2.2~2.5mm. Steel. Zinc.



**1038330-000007**

**CORD LOCK**

Steel. Zinc.



**1038440-000007**

**CORD LOCK**

Steel. Zinc.



**1043000-000000**

**CORD GUIDE**

For ladder string. Plastic. Natural color.



**1041020-000007**

**COVER**

Cord lock cover Steel. Zinc.



**1039020-000007**

**END STIFFENER**

Steel. Zinc.



**1040110-000001**

**VALANCE**

Basswood.



**1040220-062001**

**VALANCE**

62mm width. PVC. Customized colors available.



**1040330-083001**

**VALANCE**

83mm width. PVC. Customized colors available.



**1042440-000007**

**MAGNET HOLDER**

For 50mm plated steel headrail.



**1042110-000007**

**VALANCE HANGER**

For 50mm headrail. Steel. Zinc.



**1042220-000007**

**VALANCE HANGER**

2 pieces. Steel. Zinc.



**1042110-000000**

**VALANCE HANGER**

Fit standard wood 1040110 and plastic 1040220 valance. Plastic. Clear.



**1042220-000001**

**VALANCE HANGER**

Snap fit to plastic valance 1040220-062001. Plastic. White.



**1042330-000000**

**VALANCE HANGER**

Snap fit to plastic valance 1040330-083001. Plastic. Clear.



**1042330-000007**

**VALANCE CORNER**

Join valance to make corner return. Steel. Zinc.



**0910110-266007**

**SCREW**

2.6 x 6.0mm. Countersunk head. Phillips screw. Steel. Zinc.



**1050010-018001**

**COIL**

50 x 0.18, 0.21 & 0.23mm . Aluminium. Painted. Customized colors available. Wood grain finish available.



**1050060-000001**

**SLAT**

50mm. Basswood. Customized colors available. PVC - 1050000-000001 PS - 1050110-000001



**1052110-000000**

**SLAT CLIP**

50mm. Flat. Plastic. Clear.



**1052220-000000**

**SLAT CLIP**

50mm. Curved. Plastic. Clear.



**1052330-000000**

**SLAT CLIP**

50mm. Curved. Wide. Plastic. Clear.



**1052550-000001**

**SLAT CLIP**

86 x 12mm. 0.5mm thickness. Aluminium. White. 99 x 12mm - 1052550-099001



**1054110-025001**

**LADDER TAPE**

44 x 54mm. 25mm width. White. 38mm width - 1054110-038001 Customized colors available.



**1055110-000001**

**LADDER STRING**

44 x 54mm. Single stitch (round). White. Double stitch (flat) - 1055220-000001



**1056000-018001**

**CORD**

Non-stretch 1.8mm. White. Customized colours available.



**1057110-000005**

**CORD CLIP**

Steel. Plated.



**1057220-000005**

**CORD CLIP**

V shape. Steel. Plated.



**1059110-000005**

**CORD EQUALISER**  
Large. Steel. Nickel plated. Small - 1059220-000005 Antique brass and brass plated available.



**1059330-000043**

**CORD EQUALISER**  
Wire. Steel. Brass plated.



**1058110-000001**

**TASSEL**  
Plastic. Customized colors available.



**1058220-000001**

**TASSEL**  
2 pieces breakaway. Plastic. Customized colors available.



**1060110-000049**

**TASSEL**  
Aluminium. Polished.



**1060220-000049**

**TASSEL**  
Aluminium. Polished.



**1060330-000049**

**TASSEL**  
Small. Aluminium. Polished. Custom logo available.



**1060440-000007**

**TASSEL**  
Alloy.



**1060550-000007**

**TASSEL**  
Alloy.



**1061110-000001**

**TASSEL**  
Wood. Customized colors available.



**1061220-000001**

**TASSEL**  
Large. Wood. Customized colors available. Small - 1061220-035001



**1061330-000001**

**TASSEL**  
Wood. Customized colors available.



**1070110-500001**

**BOTTOM RAIL**  
50 x 19mm closed type. Roll formed. Steel. Customized colors available. Wood grain finish available.



**1070220-000001**

**BOTTOM RAIL**  
50 x 15mm. Basswood. Customized colors available. PVC - 1070330-000001



**1071000-000000**

**END CAP**  
Outside fit for 50 x 19mm bottom rail. Plastic. Natural color.



**1072110-000000**

**HOLD DOWN BRACKET**  
With pin. Plastic. Clear.



**1072220-000000**

**HOLD DOWN BRACKET**

With fixed moulded pin. Plastic. Clear.



**1073110-000007**

**HOLD DOWN BRACKET**

With pin. Steel. Zinc.



**1073220-000043**

**HOLD DOWN BRACKET**

With pin. Steel. Antique brass plated. Zinc - 1073220-000007



**1074110-000000**

**CORD BUTTON**

Plastic. Clear.



**1074220-000000**

**CORD BUTTON**

Plastic.



**1074330-000001**

**CORD BUTTON**

For 15mm hole. Plastic. White.



**1074440-000001**

**CORD BUTTON**

For 12mm hole. Plastic. White.



**1074550-000000**

**CORD BUTTON**

Rectangular. Plastic. Natural color.



**1074660-000001**

**CORD BUTTON**

For 14.5mm hole, bottom rail. Plastic. Customized colors available.



**1074770-000001**

**CORD BUTTON**

With cord pulley. Plastic. Customized colors available.



**1074880-000001**

**CORD BUTTON**

Mushroom. Wood. Customized colors available.



**1075110-000001**

**TAPE LOCK SNAP**

Narrow. Steel. Customized colors available.



**1075220-000001**

**TAPE LOCK SNAP**

Steel. Customized colors available.



**1075330-000000**

**TAPE LOCK SNAP**

Plastic. Clear.



**6080060-036001**

**WAND**

36" (120cm) with hook. Wood. Color options available.



**1410010-580001**

**HEADRAIL**

For 50mm mono. 5.8m per piece. Aluminium. White. Customized colors available.



**1010020-500001**

**HEADRAIL**

Roll formed, 5m per piece. Steel. Painted. Customized colors available. Wood grain finish available.



**1433033-050001**

**END CONTROL UNIT**

For 6mm square rod, aluminium headrail. 5:1 ratio brass gear drive. White.



**1433113-050001**

**END CONTROL UNIT**

For 6mm square rod, aluminium headrail. 5:1 ratio drive. White. 7:1 ratio & 1:1.4 ratio available.



**1434113-050001**

**END CONTROL UNIT**

For 6mm square rod, steel headrail. 5:1 ratio drive. White. 7:1 ratio & 1:1.4 ratio available.



**1435110-060001**

**CRADLE WITH SPOOL**

For 6mm square rod, aluminium headrail. White. Cord pre-installed available. Color options available.



**1436110-060001**

**CRADLE WITH SPOOL**

For 6mm square rod, steel headrail. White. Cord pre-installed available. Color options available.



**1435220-060001**

**CRADLE WITH SOMFY SPOOL**

For 6mm hex rod, aluminium headrail. White. Cord pre-installed and color options available.



**1436220-060001**

**CRADLE WITH SOMFY SPOOL**

For 6mm hex rod, steel headrail. White. Cord pre-installed available. Color options available.



**1420020-000001**

**BRACKET**

Snap type. For aluminium headrail. Spring steel. White. Zinc - 1420020-000007 Color options available.



**1020330-000007**

**BRACKET**

Quick snap install. Ceiling mount. Steel. Zinc.



**1020220-000007**

**BRACKET**

Quick snap install. Wall and ceiling mount. Steel. Zinc.



**1020440-000007**

**BRACKET**

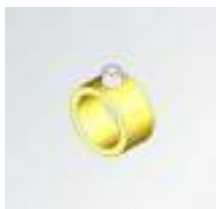
Swivel lock. Wall and ceiling mount. Steel. Zinc.



**1090020-060007**

**CONTROL ROD**

6.0mm square. Steel. Zinc.



**3431020-000043**

**LOCKING RING**

12mm ID. Hex head grub screw. Steel. Plated.



**1056000-014001**

**CORD**

Non-stretch 1.4mm. White. Customized colors available.



**1056300-xxx001**

**ENDLESS CORD**

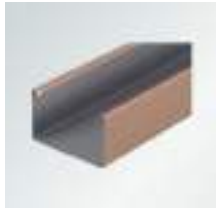
Non-stretch 3.0mm. White.  
Customized colors available.



**9011000-250001**

**BALL CHAIN**

4.5mm (#10) x 6mm. 250m reel.  
Plastic. White. Customized colors  
available. Endless loop available.



**1510020-500001**

**HEADRAIL**

Roll formed. 5m per piece. Steel. Painted. Customized colors available. Wood grain finish available.



**1530220-000000**

**END CAP**

Inside fit. Plastic. Natural color.



**1520220-000007**

**BRACKET**

Swivel lock. Wall and ceiling mount. Steel. Zinc.



**1590020-056007**

**CONTROL ROD**

5.6mm hex. Steel. Zinc.



**1532110-056000**

**TILTER**

Cord operation. Plastic drive. For 5.6mm hex rod. Metal drive - 1532220-056000



**1532440-040001**

**TILTER**

Cord operation. Metal drive. For 4.0mm square rod. Cord pre-installed available.



**1534220-000001**

**TILTER**

Wand control. For 5.6mm hex rod. Hook with clear sleeve.



**1536110-000000**

**TAPE ROLL SUPPORT**

Single roller. For ladder tape. Plastic. Natural color.



**1530110-000000**

**END CAP**

Inside fit. Plastic. Natural color.



**1520113-000001**

**BRACKET**

Box bracket set, pair left and right hand side. End install. Steel. Painted. Customized colors available.



**1527020-000001**

**BRACKET**

Centre support. Wall and ceiling mount. Steel. White. Customized colors available.



**1092020-040007**

**TILT ROD**

4mm square. Steel. Zinc.



**1532330-056000**

**TILTER**

Cord operation. Metal drive. For 5.6mm hex rod. Cord pre-installed available.



**1534110-056001**

**TILTER**

Wand control. For 5.6mm hex rod. Hook with clear sleeve.



**1534330-000000**

**TILTER**

Wand control. For 5.6mm hex rod. Metal stem with hole.



**1536220-000000**

**TAPE ROLL SUPPORT**

Single roller. For ladder string. Plastic. Natural color.



**1536330-000000**

**TAPE ROLL SUPPORT**

Single roller. For ladder string.  
Plastic. Natural color.



**1536440-000000**

**TAPE ROLL SUPPORT**

Single brass roller. For ladder tape.  
Plastic. Natural color.



**1536550-000000**

**TAPE ROLL SUPPORT**

Single brass roller. For ladder tape.  
Plastic. Natural color.



**1537110-056000**

**TAPE ROLL**

For 5.6mm hex rod, ladder tape and string. Fit support 1536110, 1536220. Plastic. Natural color.



**1537220-056000**

**TAPE ROLL**

For 5.6mm hex rod, ladder tape. Fit support 1536440. Plastic. Natural color.



**1537330-056000**

**TAPE ROLL**

For 5.6mm hex rod, ladder string. Fit support 1536330. Plastic. Natural color.



**1537440-056007**

**TAPE ROLL**

For 5.6mm hex rod, ladder tape.  
Steel. Zinc.



**1537550-040000**

**TAPE ROLL**

For 4.0mm square rod, ladder tape and string. Fit support 1536550. Plastic. Natural color.



**1539330-000007**

**CORD LOCK**

Steel. Zinc.



**1539440-000007**

**CORD LOCK**

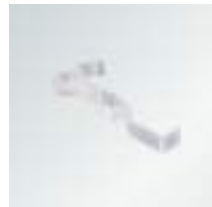
Steel. Zinc.



**1540020-000007**

**END STIFFENER**

Steel. Zinc.



**1042110-000000**

**VALANCE HANGER**

Fit standard wood 1040110 and plastic 1040220 valance. Plastic. Clear.



**1110020-500001**

**HEADRAIL**  
Roll formed. 5m per piece. Steel.  
Customized colors available. Wood  
grain finish available.



**1130110-000000**

**END CAP**  
Inside fit. Plastic. Natural color.  
Customized colors available.



**1130220-000000**

**END CAP**  
Inside fit. Plastic. Natural color.  
Customized colors available.



**1120113-000001**

**BRACKET**  
Box bracket set. End install. Steel.  
Customized colors available.



**1120220-000001**

**BRACKET**  
Centre support. Wall and ceiling  
mount. Steel. Customized colors  
available.



**1120020-000007**

**BRACKET**  
Swivel lock. Wall and ceiling mount.  
Steel. Zinc.



**1092020-050007**

**TILT ROD**  
5mm square. Steel. Zinc.  
Aluminium - 1093010-050000



**1132020-000000**

**TILTER**  
Cord operation. Metal drive. For  
5mm square rod.



**1136000-000000**

**TAPE ROLL SUPPORT**  
Single roller. For ladder string and  
tape. Plastic. Clear.



**1137000-000000**

**TAPE ROLL**  
For 5mm square rod, ladder string  
and tape. Plastic. Natural color.



**1138020-000007**

**CORD LOCK**  
Swivel. Steel. Zinc.



**1236550-000000**

**CORD LOCK**  
Universal fit to left or right side.  
Snap fit to headrail.



**1140110-000001**

**VALANCE**  
Basswood. Customized colors  
available.



**1140220-000001**

**VALANCE**  
PVC. Customized colors available.



**1142110-000007**

**VALANCE HANGER**  
Steel. Zinc.



**1142220-000007**

**VALANCE HANGER**  
Steel. Zinc.



**1042220-000001**

**VALANCE HANGER**  
Snap fit to plastic valance.  
Plastic. White.



**1142440-000000**

**VALANCE HANGER**  
Plastic. Clear.



**1150010-018001**

**COIL**  
35 x 0.18 & 0.21mm. Aluminium.  
Painted. Customized colors and  
finish available. Wood grain finish  
available.



**1150060-000001**

**SLAT**  
35mm. Basswood. Customized  
colors available.



**1152110-000000**

**SLAT CLIP**  
35mm. Flat. Plastic. Clear.



**1152220-000000**

**SLAT CLIP**  
Curved. Plastic. Clear.



**1154110-025001**

**LADDER TAPE**  
31 x 38mm. 25mm width.  
Customized colors available.



**1155110-000001**

**LADDER STRING**  
31 x 38mm. Single stitch (round).  
Double stitch (flat) - 1155220-  
000001 Customized colors  
available.



**1056000-020001**

**CORD**  
Non-stretch 2.0mm. White.  
Customized colors available.



**1057110-000005**

**CORD CLIP**  
Steel. Plated.



**1057220-000005**

**CORD CLIP**  
V shape. Steel. Plated.



**1059220-000042**

**CORD EQUALISER**  
Small. Steel. Antique brass plated.  
Nickel plated - 1059220-000005  
Brass plated - 1059220-000043



**1059330-000043**

**CORD EQUALISER**  
Wire. Steel. Brass plated.



**1170110-000001**

**BOTTOM RAIL**  
For 35mm venetian. Aluminium.  
Customized colors available.



**1170220-000001**

**BOTTOM RAIL**  
For 35mm venetian. Basswood.  
PVC foamy - 1070330-000001  
Customized colors available.



**1172000-000000**

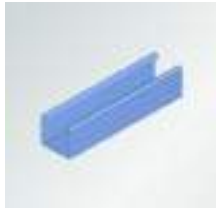
**END CAP**  
Outside fit. Fit bottom rail 1170110.  
Plastic. Natural color.



**1173110-00000**

**HOLD DOWN BRACKET**

Plastic.



**1210020-500001**

**HEADRAIL**

Roll formed. 5m per piece. Steel. Customized colors available. Wood grain finish available.



**1230220-000000**

**END CAP**

Inside fit. Plastic. Natural color.



**1220220-000007**

**BRACKET**

Swivel lock. Wall and ceiling mount. Steel. Plated.



**1220440-000007**

**BRACKET**

Swivel lock. Ceiling mount with wall bracket. Extendable. Steel. Plated.



**1320110-000007**

**BRACKET**

Low profile. Snap type. Wall and Ceiling mount. Plated.



**1095020-040007**

**TILT ROD**

D rod. Steel. Zinc.



**1290220-000000**

**STOPPER SLEEVE**

For 4mm rod. Plastic. Clear.



**1233000-000000**

**ADAPTER PLATE**

Use with tilter 1232110. Plastic. Clear.



**1230110-000000**

**END CAP**

Outside fit. Plastic. Natural color.



**1220110-000007**

**BRACKET**

Low profile. Snap type. Wall and ceiling mount. Steel. Plated.



**1220330-000007**

**BRACKET**

Swivel lock. Ceiling mount. Steel. Plated.



**1220553-000001**

**BRACKET**

Box bracket set. Wall and ceiling mount. Steel. Painted.



**1094020-040007**

**TILT ROD**

4mm. Two sides flat. Steel. Zinc.



**1290110-000002**

**LOCK WASHER**

Spring steel. Black.



**1290330-000000**

**HOLD DOWN CLIPPER**

Steel. Plated.



**1232110-000000**

**TILTER**

Wand control. Plastic drive. For 4mm D rod.



**1232220-000000**

**TILTER**  
Wand control. Heavy duty metal drive. For 4mm D rod.



**1232330-000000**

**TILTER**  
Wand control with hook. Heavy duty metal drive. For 4mm D rod.



**1232440-000000**

**TILTER**  
Wand control with hole. Metal stem plastic drive. For 4mm D rod.



**1232550-000000**

**MAGIC TILTER**  
24 x 25mm.



**1234110-000000**

**TAPE ROLL SUPPORT**  
Brass roller. Plastic.



**1234220-000000**

**TAPE ROLL SUPPORT**  
Plated brass hollow roller.



**1235000-000000**

**TAPE ROLL**  
For D rod. Use with support 1234220.



**1236110-000000**

**CORD LOCK**  
Universal fit. With 2 metal plates. Brass roller.



**1236221-000000**

**CORD LOCK**  
Left side fit. With 1.8mm plated pin. Right side - 1236222-000000



**1236330-000000**

**CORD LOCK**  
Universal fit to left or right side. With 2.0mm plated pin.



**1236440-000000**

**CORD LOCK**  
Universal fit to left or right side. With 1.5mm double plated pin.



**1236550-000000**

**CORD LOCK**  
Universal fit to left or right side. Snap fit to headrail.



**1242110-000000**

**VALANCE HANGER**  
For 2 slats. Plastic. Clear.



**1242220-000000**

**VALANCE HANGER**  
Plastic. Clear.



**1242330-000000**

**VALANCE HANGER**  
Plastic. Clear.



**1250110-018001**

**COIL**  
25 x 0.18 & 0.21mm. Aluminium. Painted. Customized colors and wood grain finish available. Polyester - 1250440



**1252110-000000**

**SLAT CLIP**  
Flat. Plastic. Clear.



**1252330-000000**

**SLAT CLIP**  
Curved. Plastic. Clear.



**1252440-000000**

**SLAT CLIP**  
Flat. For 25mm wood slat. Plastic. Clear.



**1252550-000000**

**SLAT CLIP**  
25mm. Curved. Plastic. Clear.



**1255110-000001**

**LADDER STRING**  
21.5 x 28mm. Single stitch (round). Customized colors available.



**1255220-000001**

**LADDER STRING**  
21.5 x 28mm. Double stitch (flat). Customized colors available.



**1056000-014001**

**CORD**  
Non-stretch 1.4mm. White. Customized colors available.



**1057110-000005**

**CORD CLIP**  
Steel. Plated.



**1057220-000005**

**CORD CLIP**  
V shape. Steel. Plated.



**1057330-000005**

**CORD CLIP**  
V shaped. Narrow. Steel. Plated.



**1057440-000000**

**CORD CLIP**  
V shaped. Aluminium.



**1258110-000000**

**CORD EQUALISER**  
Plastic. Clear.



**1258220-000000**

**CORD EQUALISER**  
Wide. Plastic. Clear.



**1237110-660000**

**WAND HOOK**  
For 6mm hex wand. Plastic. Clear.  
7mm - 1237110-670000



**1237220-060001**

**WAND HOOK**  
For 6mm wand. Plastic. White.



**1238110-670000**

**WAND HANDLE**  
For 7mm hex wand. Plastic. Clear.



**1238220-060001**

**WAND HANDLE**

For 6mm wand. Plastic. White.



**1238330-660000**

**WAND HANDLE**

For 6mm hex wand. Plastic. Clear.  
7mm - 1238330-670000



**1238440-670000**

**WAND HANDLE**

For 7mm hex wand. Plastic. Clear and black.



**1239000-670000**

**WAND CONNECTOR**

For 7mm hex wand. Plastic. Clear.



**1253110-660000**

**WAND**

6mm hex. Clear. 7mm - 1253110-670000



**1253220-670000**

**WAND**

7mm hex. Hollow. Acrylic. Clear.



**1253330-060001**

**WAND**

6mm. Fibreglass. White.



**1254000-000000**

**WAND BRACKET**

Wall mount. Wand snaps into bracket. Plastic. Clear.



**1058220-000001**

**TASSEL**

2 pieces breakaway. Plastic.  
Customized colors available.



**1251110-000000**

**TASSEL**

4.0mm hole. Plastic. Clear.



**1251220-000000**

**TASSEL**

3.7mm hole. Ribbed cone. Flat side. Plastic. Clear.



**1251330-000001**

**TASSEL - CONNECTOR**

2 pieces. 5mm (top), 2.7mm (bottom) hole. Plastic. White.



**1251440-000000**

**TASSEL**

4mm hole. Plastic. Clear and black.



**1251550-000000**

**TASSEL**

2 pieces. Plastic. Clear.



**1251660-000000**

**TASSEL**

2 pieces. Plastic. Clear.



**1251770-000000**

**TASSEL**

2 pieces. Plastic. Clear.



**1270110-000001**

**BASE BAR**

10 x 20mm. C profile. Steel.  
Customized colors available. Wood grain finish available.



**1270220-000001**

**BASE BAR**

10 x 25mm. Large C profile. Steel .  
Customized colors available. Wood grain finish available.



**1270330-000001**

**BASE BAR**

10 x 22.5mm. Closed profile. Steel.  
Customized colors available.



**1270440-000001**

**BASE BAR**

10 x 25mm. Closed profile. Steel.  
Customized colors available.



**1272110-000000**

**END CAP**

For C base bar 1270110. Outside fit. Plastic. Natural color.



**1272220-000000**

**END CAP**

For C base bar 1270110. Inside fit. Plastic. Natural color.



**1272330-000000**

**END CAP**

For large C base bar 1270220. Outside fit. Plastic. Natural color.



**1272440-000000**

**END CAP**

For base bar 1270330. Outside fit. Plastic. Natural color.



**1273110-000000**

**HOLD DOWN BRACKET**

PC. Clear.



**1273220-000000**

**HOLD DOWN BRACKET**

PC. Clear.



**1273330-000000**

**HOLD DOWN BRACKET**

PC. Clear.



**1273440-000007**

**HOLD DOWN BRACKET**

With pin. Steel. Zinc.



**1274110-063000**

**CORD BUTTON**

For 6.3mm hole. Plastic. Natural color.



**1274220-070000**

**CORD BUTTON**

For 7mm hole. Plastic. Natural color.



**1274330-000000**

**CORD BUTTON**

Rectangular. For large C base bar 1270220. Plastic. Natural color.



**1274440-063000**

**CORD BUTTON**

For 6.3mm hole. Plastic. Natural color.



**1274550-010000**

**CORD BUTTON**

For 10mm hole. Plastic. Natural color.



**1274660-000000**

**TAPE LOCK SNAP**

For 10 x 25mm base bar. Fit base bar 1270440. Plastic. Clear.



**1274770-000000**

**TAPE LOCK SNAP**

For 10 x 22.5mm base bar. Fit base bar 1270330 . Plastic. Clear.



**1610020-500001**

**HEADRAIL**

24 x 26mm. Roll formed. 5m per piece. Steel. Customized colors available. Wood grain finish available.



**1630000-000000**

**END CAP**

Inside fit. Plastic. Natural color.



**1636110-000000**

**TAPE ROLL SUPPORT**

Brass roller.



**1636220-000000**

**TAPE ROLL SUPPORT**

Plastic roller.



**1637110-000000**

**TAPE ROLL**

Use with support 1636110. Plastic.



**1637220-000000**

**TAPE ROLL**

Use with support 1636220. Plastic.



**1610020-500001**

**HEADRAIL**

24 x 26mm. Roll formed. 5m per piece. Steel. Customized colors available. Wood grain finish available.



**1638003-000001**

**CONTROL UNIT**

5mm square. 1:3 ratio drive. For 25mm mono venetian. Plastic. White.



**1639000-000000**

**CRADLE WITH SPOOL**

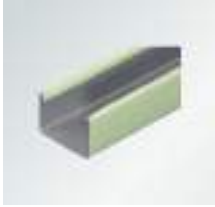
5mm square. For 25mm mono venetian. Plastic.



**9011000-250001**

**BALL CHAIN**

4.5mm (#10) x 6mm. 250m reel. Plastic. White. Customized colors available. Endless loop available.



**1310020-000001**

**HEADRAIL**

Roll formed. 5m per piece. Steel. Customized colors available. Wood grain finish available



**1330000-000000**

**END CAP**

Outside fit. Fit headrail 1310020. Plastic. Natural color.



**1320220-000007**

**BRACKET**

Snap type. Wall and ceiling mount. Plated.



**1320330-000007**

**BRACKET**

Swivel lock. Wall and ceiling mount. Plated.



**1320443-000000**

**BRACKET**

Box bracket set. Wall and ceiling mount. Plastic. Clear.



**1320550-000000**

**BRACKET**

Centre support. Wall and ceiling mount. Plastic. Clear.



**1332000-000000**

**TILTER**

Wand control. For 4mm D rod. Plastic drive. Clear.



**1336000-000000**

**TAPE ROLL SUPPORT**

Brass roller.



**1337020-000000**

**TAPE ROLL**

Use with support 1336000.



**1236110-000000**

**CORD LOCK**

Universal fit. With 2 metal plates. Brass roller.



**1236221-000000**

**CORD LOCK**

Left side fit. With 1.8mm plated pin. Right side - 1236222-000000



**1236330-000000**

**CORD LOCK**

Universal fit to left or right side. With 2.0mm plated pin.



**1770000-110000**

**CONTROL WIRE**  
Double glass. 110cm.



**1731000-000000**

**CORD DEVICE**  
Double glass.



**1730000-000000**

**WAND CONTROL**  
Double glass.



**1751000-000000**

**WAND CONTROL**  
Double glass.



**1750000-000001**

**CORD HOLDER**  
Double glass.



**1732000-000001**

**WAND HOLDER**  
Double glass.



**1790002-012006**

**SPRING**  
Double glass. 1.2mm. Plated.



**2010110-580001**

**HEADRAIL**

33 x 44mm high profile. 0.9mm thickness. Aluminium. White.



**2010220-580001**

**HEADRAIL - BENDABLE**

33 x 44mm high profile. 1.3mm thickness. Aluminium. White.



**2030113-000001**

**END CONTROL UNIT**

High profile. Reduction gear with metal drive. White.



**2030223-000001**

**END CONTROL UNIT**

High profile. Slim body. Reduction gear with metal drive. White.



**2030333-000001**

**END CONTROL UNIT**

High profile. Reduction gear with plastic drive. White.



**2033110-580000**

**CONTROL ROD**

3 prong. Aluminium. Plastic - 2033110-300001



**2033220-580000**

**CONTROL ROD**

4 prong. Aluminium.



**2031110-000000**

**SPRING CLIP**

Round wire. Spring steel.



**2031220-000000**

**LOCKING RING**

Slotted head grub screw. Plastic.



**2031330-000000**

**LOCKING RING**

Circlip. Plastic.



**2031440-000043**

**LOCKING RING**

Slotted head grub screw. 6.9mm ID, 9.5mm OD. Steel. Plated. Hex head - 2031550-000043



**2031660-014005**

**STARLOCK WASHER**

Uncapped. 14mm diameter. Spring steel. Plated. 12mm diameter - 2031660-012005



**2031770-012001**

**SPACER TUBE**

12mm. Snap over rod. Plastic. White. 25, 30, 40 & 50mm available.



**2031880-012001**

**SPACER TUBE**

12mm. Snap over rod. Extruded plastic. White. Any size available.



**2032020-000000**

**SPLIT PIN**

2 x 10mm. Spring steel.



**2034110-003001**

**CARRIER - WHEELED**

High profile. Long neck. For 3 or 4 way rod, plastic spacer. Clear J hook.



**2034220-003001**

**CARRIER - WHEELED**  
High profile. Long neck. For 3 or 4 way rod, plastic spacer. Clear H hook.



**2034330-003001**

**CARRIER - WHEELED**  
High profile. Long neck. For 3 or 4 way rod, metal spacer. Clear J hook.



**2034440-003001**

**CARRIER - WHEELED**  
High profile. Long neck. For 3 or 4 way rod, metal spacer. Clear H hook.



**2034550-003001**

**CARRIER - WHEELED**  
High profile. Long neck. For 3 or 4 way rod, metal spacer. Metal spring hook.



**2036110-079000**

**SPACER**  
79mm. For 89mm vane. Plastic. 46, 67, 73, 76, 77 & 78mm available.



**2036110-115000**

**SPACER**  
115mm. For 127mm vane. Plastic. 109, 110, 112, 113 & 117mm available.



**2036220-079000**

**SPACER WITH SLOT**  
79mm. For 89mm vane. Plastic. 73 & 89mm available.



**2036220-115000**

**SPACER WITH SLOT**  
115mm. For 127mm vane. Plastic. 110, 112 & 113mm available.



**2036330-079020**

**SPACER**  
79mm. For 89mm vane. Stainless steel. Any size from 73 to 95mm available.



**2036330-115020**

**SPACER**  
115mm. For 127mm vane. Stainless steel. Any size from 73 to 95mm available.



**2036000-000000**

**SPACER ADJUSTER**  
Plastic.



**2070000-000000**

**SILICONE SPRAY**



**2050110-030000**

**TRAPEZIUM EXTENSION**  
30mm. J hook. PC. Clear.



**2050110-040000**

**TRAPEZIUM EXTENSION**  
40mm J hook. PC. Clear.



**2050220-040000**

**TRAPEZIUM EXTENSION**  
40mm. H hook. PC. Clear.



**2050220-045000**

**TRAPEZIUM EXTENSION**  
45mm. H hook. PC. Clear.



**2032113-000001**

**WAND CONTROL SET**  
Small hole. 2 way with high profile end cap set. White. Large hole - 2032223-000001



**2032333-000001**

**WAND CONTROL SET**  
With high profile end cap set. White.



**2838110-075001**

**WAND**  
8mm x 75cm. Pre-assembled with connector and screw. Fiberglass. White. 90 & 150cm available. 9.5mm available.



**2838220-075001**

**WAND**  
9.5mm x 75cm. Pre-assembled with connector and screw. PVC. White. 90 & 120cm available.



**2838330-100001**

**WAND - FLUTED**  
8mm. Round. Assembled with handle 2840220-085001 and hook 2841000-085001. Fiberglass. White.



**2838440-100001**

**WAND - FLUTED**  
8.4mm. Round. Assembled with handle 2840220-085001 and hook 2841000-085001. Aluminium. White.



**2037110-000001**

**CORD DRIVE RUNNER**  
4 pieces set with metal plate and screw. Plastic.



**2037220-000000**

**CORD DRIVE RUNNER**  
Plastic.



**2037330-000001**

**CORD DRIVE RUNNER**  
4 pieces set with metal plate and screw. Plastic.



**2038110-000000**

**SHAFT SUPPORT**  
With magnet. Plastic.



**2038220-000001**

**SHAFT SUPPORT**  
With magnet. Plastic.



**2038330-000001**

**SHAFT SUPPORT**  
Slim cut-down type. With magnet.



**2038440-000001**

**SHAFT SUPPORT**  
Slim cut-down type.



**2038550-000000**

**SHAFT SUPPORT**  
2 way.



**2051110-089000**

**HANGER**  
89mm. Single slot. Plastic. 100 & 127mm available.



**2051220-089000**

**HANGER**  
89mm. Two slots. Flat end. Plastic.



**2051330-089000**

**HANGER**  
89mm. Two slots. Round end.  
Plastic. 100 & 127mm available.



**2051440-089001**

**HANGER**  
89 mm. 2 pieces. White. 127 &  
250mm available. Clear color  
available.



**2051550-089000**

**HANGER**  
89mm. 5 holes. Plastic.



**2051660-089007**

**HANGER**  
89mm. Steel. Plated. 127mm  
available.



**2051770-000000**

**HANGER**  
Use on PVC vane. With locking  
peg. Plastic. Clear.



**2052110-089000**

**BOTTOM WEIGHT**  
89mm (32/36g). Chain from sides.  
Plastic. 100mm (32/36g), 127mm  
(42/46g) & 250mm (46 ± 1g)  
available.



**2052220-089000**

**BOTTOM WEIGHT**  
89mm (32/36g). Chain from top.  
Plastic.



**2052330-089000**

**BOTTOM WEIGHT**  
89mm (30g). Chainless. Plastic.  
100mm (36g) - 2052330-100000  
127mm (40g) - 2052330-127000



**2052440-xxx007**

**BOTTOM WEIGHT**  
Steel. Plated. For 89mm - 2052440-  
089007 For 127mm - 2052440-  
127007



**2052550-xxx007**

**BOTTOM WEIGHT**  
45 x 1.3mm. Sew-in. Steel. Zinc.  
For 89mm (30g) - 65mm / For  
100mm (34g) - 75mm / For 127mm  
(47g) - 102mm



**2053110-089001**

**Y PROFILE LINK CHAIN**  
For 89mm vane. Use with bottom  
weight 2052110. Plastic. White.  
127mm - 2053110-127001



**2053220-089001**

**T LINK CHAIN**  
For 89mm vane. With clamp. Use  
with bottom weight 2052440.  
Plastic. White. 127mm - 2053220-  
127001



**2054330-089001**

**LINK CHAIN**  
For 89mm vane. With plastic clip.  
Steel. 127mm - 2054330-127001



**9011000-250001**

**BALL CHAIN**  
4.5mm (#10) x 6mm. 250m reel.  
Plastic. White. Customized colors  
available. Endless loop available.



**9013000-250001**

**BALL CHAIN**  
4.5mm (#10) x 12mm. 250m reel.  
Plastic. White.



**9010020-150005**

**BALL CHAIN**  
4.5mm (#10) x 6mm. 150m reel.  
Steel. Nickel plated. Brass -  
9010030-150021. Stainless -  
9010040-150020.



**1056000-022001**

**CORD**  
Non-stretch 2.2mm. White.  
Customized colors available.



**9003020-045021**

**SPLIT BALL**  
4.5mm. Brass. Nickel plated.  
6.4mm - 9003020-064021 4, 6, 8 &  
10mm available. Customized colors  
available.



**9020000-045001**

**CONNECTOR**  
For 4.5mm (#10) ball chain. Plastic.  
White. 3.2mm (#6) - 9020000-  
032001



**9023000-045001**

**CONNECTOR**  
For 4.5mm (#10) ball chain. 2  
pieces. Plastic. White.



**9024110-045000**

**CONNECTOR**  
For 4.5mm (#10) ball chain. Open  
type. Plastic. Clear. White -  
9024110-045001



**9024220-045000**

**CONNECTOR**  
For 4.5mm (#10) ball chain. Open  
type. Safe break. PC. Clear. White  
- 9024220-045001



**9022020-045005**

**CONNECTOR**  
For 4.5mm (#10) ball chain. Steel.  
Nickel plated. For 3.2mm (#6),  
brass, nickel plated - 9022020-  
032021



**9208045-000000**

**SAFETY CHAIN BREAK - SOCKET**  
For 4.5mm (#10) ball chain. Plastic.  
Clear. 4.0mm (#8) available.



**9208145-000000**

**SAFETY CHAIN BREAK - BALL**  
For 4.5mm (#10) ball chain. Plastic.  
Clear. 4.0mm (#8) available.



**9120020-026007**

**L BRACKET**  
26 x 26 x 1.5mm Steel. Zinc.



**2020110-000001**

**BRACKET**  
Snap type. Ceiling mount. 5 x  
12mm hole. Steel. White. 5 x  
16mm - 2020500-016XXX 7.5 x  
12mm - 2020750-012XXX



**2020220-000001**

**BRACKET**  
With clip for false ceiling. Ceiling  
mount. Steel. White.



**2020330-000001**

**BRACKET**  
With screw fixing. Ceiling mount.  
Steel. White.



**2021020-075001**

**MOUNTING CLIP**  
Steel. White. Customized colors  
available.



**2022110-075001**

**BRACKET**  
75mm. Ribbed. Wall mount. Steel.  
White. 105mm - 2022110-105xxx  
Zinc - 2022110-xxx007



**2022220-075001**

**BRACKET**  
75mm. Flat. Wall mount. Steel.  
White. 95, 100 & 115mm available.  
Zinc - 2022220-xxx007



**2022330-075001**

**BRACKET**  
75mm. Wall mount. Steel. White.  
100mm available. Zinc - 2022330-  
xxx007



**2023020-085001**

**BRACKET**  
85mm. Face mount with screw  
clamp. Steel. White. 105mm  
available. Zinc - 2023020-xxx007



**2024110-075001**

**BRACKET**  
75mm. Wall mount with ceiling fix  
snap bracket. Steel. White. 100mm  
available. Zinc - 2024110-xxx007



**2024220-075001**

**BRACKET**  
75mm. Wall mount with ceiling fix  
snap bracket. Steel. White. 100mm  
available. Zinc - 2024220-xxx007



**2024330-075001**

**BRACKET**  
75mm. Wall mount with ceiling fix  
snap bracket. Extendable. Steel.  
White. Zinc - 2024330-075007



**2024440-000007**

**BRACKET**  
Wall mount. Extendable,  
85~120mm quick adjust. Steel.  
Zinc. White - 2024440-000001



**2024550-000007**

**BRACKET**  
Wall mount with vertical snap  
bracket. Extendable, 85~120mm  
quick adjust. Steel. Zinc. White -  
2024550-000001



**2024660-000007**

**BRACKET**  
Wall mount with ceiling fix snap  
bracket. Steel. Zinc.



**2060000-060001**

**CORD WEIGHT**  
60g. Curved. ABS. White. Logo -  
print and engrave options.  
Customized colors available.



**2061000-060001**

**CORD WEIGHT**  
60g. Curved. ABS. White. 80g -  
2061000-080001 Logo - print and  
engrave options.



**2065000-060001**

**CORD WEIGHT**  
Curved with opening for connector.  
ABS. White.



**2063000-080001**

**CORD WEIGHT**  
80g. PS. White. 110g available.  
Logo - print and engrave options.  
Customized colors available.



**2064000-110001**

**CORD WEIGHT**  
110g. ABS. White. Logo - print and  
engrave options. Customized colors  
available.



**2062000-050001**

**CORD WEIGHT**  
50g. White. Customized colors  
available.



**2066000-000000**

**CHAIN TIE DOWN**  
Large P clip. PC. Clear.



**2067000-000000**

**CHAIN TIE DOWN**  
Mini P clip. PC. Clear.



**2067110-000000**

**Hold down bracket for P clip**  
single



**2067220-000000**

**Hold down bracket for P clip**  
double



**2068000-000001**

**CHAIN TIE DOWN**

Twin tension device with 2  
adjustable guides. 70mm height.  
Plastic. White.



**2110110-580001**

**HEADRAIL**  
25 x 44mm low profile. 1.0mm thickness. Aluminium. White.



**2110220-580001**

**HEADRAIL**  
25 x 44mm curved low profile. 1.0mm thickness. Aluminium. White.



**2130112-101001**

**END CONTROL UNIT**  
1:1 ratio plastic drive with end cover. Right side. White.



**2130111-301001**

**END CONTROL UNIT**  
3:1 ratio plastic drive with end cover. Left side. White. Right side - 2130112-301001



**2130222-301001**

**END CONTROL UNIT**  
3:1 ratio metal drive with end cover. White.



**2131111-101001**

**END CONTROL UNIT**  
For curved low profile. 1:1 ratio plastic drive with end cover. Right side. White.



**2131222-301001**

**END CONTROL UNIT**  
For curved low profile. 3:1 ratio plastic drive with end cover. Right side. White.



**2131332-301001**

**END CONTROL UNIT**  
For curved low profile. 3:1 ratio metal drive with end cover. Right side. White.



**2134110-003001**

**CARRIER**  
Low profile. Short neck. For 3 or 4 way rod, plastic spacer. Clear J hook. Metal spacer - 2134330-003001



**2134220-003001**

**CARRIER**  
Low profile. Short neck. For 3 or 4 way rod, plastic spacer. Clear H hook. Metal spacer - 2134440-003001



**2134550-003001**

**CARRIER**  
Low profile. Short neck. For 3 or 4 way rod, metal spacer. Spring metal hook.



**2135550-003001**

**CARRIER**  
Low profile. Slim body. For 3 or 4 way rod, plastic spacer. Replaceable clear J hook. Metal spacer - 2135770



**2135660-003001**

**CARRIER**  
Low profile. Slim body. For 3 or 4 way rod, plastic spacer. Replaceable clear H hook. Metal spacer - 2135880



**2136330-079020**

**SPACER**  
Use with slim body carrier. 79mm. For 89mm vane. Stainless steel. Any size from 73 to 95mm available.



**2137110-000000**

**CORD DRIVE RUNNER**  
4 pieces set.



**2137220-000000**

**CORD DRIVE RUNNER**  
For low profile slim carrier. With neck holder, metal plate and screw.



**2137330-000000**

**CORD DRIVE RUNNER**

For low profile carrier. With metal plate and screw.



**2137440-000000**

**CORD DRIVE RUNNER**

For low profile carrier. With neck holder, metal plate and screw.



**2139020-000005**

**METAL PLATE**

For low profile cord drive runner. Steel. Plated.



**2138110-000000**

**SHAFT SUPPORT**

Wheeled with magnet.



**2138220-000000**

**SHAFT SUPPORT**

Low profile with magnet.



**2138330-000000**

**SHAFT SUPPORT**

Slim low profile with magnet.



**2138440-000000**

**SHAFT SUPPORT**

Slim cut-down type with magnet.



**2138550-000000**

**SHAFT SUPPORT**

Low profile.



**2138660-000000**

**SHAFT SUPPORT**

Slim cut-down type.



**2133113-000001**

**WAND CONTROL SET**

Small hole. 2 way with curved low profile end cap set. White.



**2133223-000001**

**WAND CONTROL SET**

Large hole for hook type wand. 2 way with curved low profile end cap set. White



**2133333-000001**

**WAND CONTROL SET**

With curved low profile end cap set. White.



**2133443-000001**

**WAND CONTROL SET**

For low profile slim carrier. With curved low profile end cap set. White.



**2132113-000001**

**WAND CONTROL SET**

Small hole. 2 way with low profile end cap set. White.



**2132223-000001**

**WAND CONTROL SET**

Large hole for hook type wand. 2 way with low profile end cap set. White.



**2132333-000001**

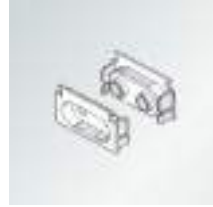
**WAND CONTROL SET**

With low profile end cap set. White.



**2132443-000001**

**WAND CONTROL SET**  
For low profile slim carrier. With low profile end cap set. White.



**2132553-000001**

**END CAP SET**  
For low profile. White.



**2810110-580001**

**HEADRAIL**  
28 x 28mm. 1.0mm thickness.  
Aluminium. White. Anodised and  
customized colors available.



**2810220-580001**

**HEADRAIL**  
28 x 28mm. 1.2mm thickness.  
Aluminium. White.



**2830003-032001**

**END CONTROL UNIT**  
For 3.2mm (#6) ball chain. 1:1 ratio  
direct drive. Left side. White.  
4.5mm (#10) - 2830003-045001



**2831003-000001**

**END CONTROL UNIT - WAND**  
For plastic spacer. With carrier,  
connector and end cap. Plastic.  
White. Metal spacer - 2832003



**2837000-000001**

**CORD DRIVE RUNNER**  
4 pieces set with metal plate and  
screw.



**2835110-019001**

**SHAFT SUPPORT**  
19mm. Plastic. White.



**2835220-038001**

**SHAFT SUPPORT**  
38mm. Plastic. White.



**2835330-019001**

**SHAFT SUPPORT**  
19mm with magnet. Plastic. White.



**2835440-038001**

**SHAFT SUPPORT**  
38mm with magnet. Plastic. White.



**2835550-000001**

**SHAFT SUPPORT**  
Flat. With magnet. Plastic. White.



**2834110-002001**

**CARRIER**  
For 3 or 4 way rod, plastic spacer.  
Standard J hook. Plastic. White.  
Metal spacer - 2834550-xxx001



**2834220-002001**

**CARRIER**  
For 3 or 4 way rod, plastic spacer.  
Clear J hook. Plastic. White. Metal  
spacer - 2834660-xxx001



**2834330-002001**

**CARRIER**  
For 3 or 4 way rod, plastic spacer.  
Standard H hook. Plastic. White.  
Metal spacer - 2834770-xxx001



**2834440-002001**

**CARRIER**  
For 3 or 4 way rod, plastic spacer.  
Clear H hook. Plastic. White. Metal  
spacer - 2834880-xxx001



**2834111-079001**

**CARRIER WITH SPACER**  
For 3 or 4 way rod. Left side. 79mm  
plastic spacer. J hook. Plastic.  
White. Metal spacer - 2834551



**2836000-000001**

**STOPPER**  
Plastic. White.



**9015000-250001**

**BALL CHAIN**  
3.2mm (#6) x 4mm. 300m reel.  
Plastic. White. Customized colors available.



**9019000-250001**

**BALL CHAIN**  
3.2mm (#6) x 8mm. 500m reel.  
Plastic. White. Customized colors available.



**9016020-300005**

**BALL CHAIN**  
3.2mm (#6) x 4mm. 300m reel.  
Steel. Nickel plated.



**9026000-000001**

**CONNECTOR**  
For 3.2mm (#6) ball chain. Plastic. White.



**1056000-020001**

**CORD**  
Non-stretch 2.0mm. White.  
Customized colors available.



**2838110-075001**

**WAND**  
8mm x 75cm. Pre-assembled with connector and screw. Fiberglass. White. 90 & 150cm available. 9.5mm available.



**2838220-075001**

**WAND**  
9.5mm x 75cm. Pre-assembled with connector and screw. PVC. White. 90 & 120cm available.



**2838330-100001**

**WAND - FLUTED**  
8mm. Round. Assembled with handle 2840220-085001 and hook 2841000-085001. Fiberglass. White.



**2838440-100001**

**WAND - FLUTED**  
8.4mm. Round. Assembled with handle 2840220-085001 and hook 2841000-085001. Aluminium. White.



**2838550-100001**

**WAND**  
9.5mm x 100cm. Pre-assembled with connector, handle and screw. Fiberglass. White.



**2800440-580001**

**WAND - FLUTED**  
9mm. Aluminium. White. Use with handle 2840220-085001 and hook 2841000-085001.



**2840220-085001**

**WAND HANDLE**  
For 8.3mm round or 9.0mm fluted wand. Plastic. White. 8mm - 2840220-080001



**2840110-095001**

**WAND HANDLE - FLUTED**  
For 9.5mm round wand. Plastic. White.



**2841000-085001**

**WAND HOOK**  
For 8.3mm round or 9.0mm fluted wand. Plastic. White. 8mm - 2841000-080001



**2839110-000001**

**WAND CONNECTOR**  
For 8mm wand. With screw and split pin.



**2839330-000001**

**WAND CONNECTOR**  
For 9.5mm wand.



**2839220-000001**

**WAND COUPLER**

Universal joint for standard wand.  
With screw. Plastic. White.



**2820020-000001**

**BRACKET**

Snap type. Ceiling mount. Steel.  
White. Zinc - 2820020-000007



**2821020-089001**

**BRACKET**

Wall mount with screw clamp. For  
89mm vane. Steel. White. Zinc -  
2821020-089007



**2821020-127001**

**BRACKET**

Wall mount with screw clamp. For  
127mm vane. Steel. White. Zinc -  
2821020-127007



**3010010-580001**

**HEADRAIL**

With hook tape. Aluminium. White.



**3031010-580000**

**DRIVE ROD**

7mm hex. Hollow. Aluminium. Mill finish.



**3031020-000005**

**LOCKING RING**

Slotted head grub screw. 8.1mm ID, 13mm OD. For 7mm hex rod. Steel. Plated.



**3033003-101001**

**END CONTROL UNIT**

1:1 ratio direct drive with end cap. White.



**3034003-301001**

**END CONTROL UNIT**

3:1 ratio drive with end cap. White.



**3035003-101001**

**END CONTROL UNIT**

1:1 ratio direct drive with end cap. White. 4:1 ratio - 3035003-401001



**3037000-000001**

**CRADLE WITH SPOOL**

With screw and nut fixing. Use 1.0mm cord. White. Cord pre-installed available.



**3013000-000001**

**CRADLE WITH SPOOL**

With screw fixing. Use 1.0mm cord. White. Cord pre-installed available.



**3039000-000001**

**CRADLE WITH SPOOL**

Quick release clamping for speedy positioning. Use 1.0mm cord. White. Cord pre-installed available.



**1056000-010001**

**CORD**

Non-stretch 1.0mm. White. Customized colors available.



**3038000-000001**

**JOINT**

Universal joint for 2 blinds. With locking rings. Steel. Zinc.



**3021020-000001**

**BRACKET**

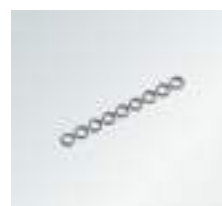
Snap type. Wall and ceiling mount. Steel. White. Plated - 3021020-000005



**9011000-250001**

**BALL CHAIN**

4.5mm (#10) x 6mm. 250m reel. Plastic. White. Customized colors available. Endless loop available.



**9010020-150005**

**BALL CHAIN**

4.5mm (#10) x 6mm. 150m reel. Steel. Nickel plated. Brass - 9010030-150021. Stainless - 9010040-150020.



**2067000-000000**

**CHAIN TIE DOWN**

Mini P clip. PC. Clear.



**3412010-580001**

**HEADRAIL**

With hook tape. Aluminium. White.



**3421020-000001**

**BRACKET**

For popular curved headrail. Low profile. Snap type. Wall and ceiling mount. White. Plated - 3421020-000005



**3422020-000001**

**BRACKET**

For popular roman curved headrail. Swivel lock. Wall and ceiling mount. White. Plated - 3422020-000007



**3433003-101001**

**END CONTROL UNIT**

For 5mm square rod. 1:1 ratio drive with end cap. White. 4:1 ratio - 3433003-401001



**3433223-101001**

**END CONTROL UNIT**

1:1 ratio drive with end cap. Without screw, lock in the rail with twist. White. 4:1 ratio available.



**3437000-300001**

**CRADLE WITH SPOOL**

With 1.0mm x 3m cord. White. No cord installed - 3437000-000001



**3411000-300000**

**CRADLE WITH SPOOL**

For 5mm square rod. With 1.2mm x 3m cord. No cord installed - 3411000-000000



**3411110-000000**

**CRADLE WITH SPOOL**

Without screw, lock in the rail with twist. White.



**1056000-010001**

**CORD**

Non-stretch 1.0mm. White. Customized colors available.



**1093010-050000**

**TILT ROD**

5mm square. Aluminium.



**3431020-000043**

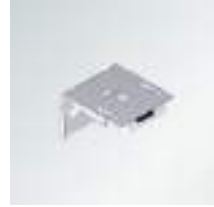
**LOCKING RING**

12mm ID. Hex head grub screw. Steel. Plated.



**3412010-580001**

**HEADRAIL**  
With hook tape. Aluminium. White.



**3421020-000001**

**BRACKET**  
For popular curved headrail. Low profile. Snap type. Wall and ceiling mount. White. Plated - 3421020-000005



**3422020-000001**

**BRACKET**  
For popular roman curved headrail. Swivel lock. Wall and ceiling mount. White. Plated - 3422020-000007



**3433233-000001**

**END CONTROL UNIT**  
Stepless safety roman end control unit for curved headrail. Plastic. White.



**3411220-000000**

**CRADLE WITH SPOOL**  
For popular roman curved headrail. White.



**1056000-010001**

**CORD**  
Non-stretch 1.0mm. White. Customized colors available.



**1093010-050000**

**TILT ROD**  
5mm square. Aluminium.



**3710010-580001**

**HEADRAIL**  
With hook tape. Aluminium. White.



**3421020-000001**

**BRACKET**  
For popular curved headrail. Low profile. Snap type. Wall and ceiling mount. White. Plated - 3421020-000005



**3422020-000001**

**BRACKET**  
For popular roman curved headrail. Swivel lock. Wall and ceiling mount. White. Plated - 3422020-000007



**4013110-580000**

**ROLLER TUBE**  
28mm. Single slot. 5.8m per piece. Aluminium. Mill finish.



**4010010-580000**

**ROLLER TUBE**  
32mm. Single slot. 5.8m per piece. Aluminium. Mill finish.



**4231110-260001**

**TENSION CONTROL BRAKE**  
For 32mm tube, 1.1 x 260mm. White. For 28mm tube, 1.1 x 260mm - 4230110-260001



**4235000-032001**

**STOPPER**  
For 32mm tube. Fit right side. Total length 70mm. White. 40mm length - 4235000-032401 For 28mm tube available.



**4222000-000001**

**SPRING END BRACKET**  
For 28 & 32mm spring. Plastic adjuster. Plastic. White.



**4224000-000001**

**SPRING END BRACKET**  
For 28 & 32mm spring. Plastic adjuster with 2 screws. Steel. White.



**4224110-000001**

**SPRING END BRACKET**  
For 28 & 32mm spring. End slot adjuster with 2 screws. Steel. White.



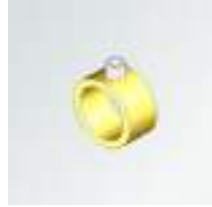
**4228020-038001**

**SPRING END BRACKET**  
For 32mm spring with 38mm large bracket. End slot adjuster with 2 screws. Steel. White.



**3530000-101001**

**END CONTROL UNIT**  
For 5mm square rod. 1:1 ratio drive. White. 4:1 ratio - 3530000-401001



**3431020-000043**

**LOCKING RING**  
12mm ID. Hex head grub screw. Steel. Plated.



**3531020-000001**

**BRACKET**  
For mounting end control unit 3530000. Steel. White.



**3537000-000000**

**CORD SPOOL SET**  
For 5mm square rod. With clear bracket.



**1056000-010001**

**CORD**  
Non-stretch 1.0mm. White. Customized colors available.



**1092020-050007**

**TILT ROD**  
5mm square. Steel. Zinc. Aluminium - 1093010-050000



**3110010-580001**

**HEADRAIL**

With hook fastener. Aluminium. White.



**3131000-000001**

**CORD LOCK**

Push button for easy install of cord. For headrail 3110010. White.



**3132000-000001**

**END CAP**

For headrail 3110010. With locking plate. White.



**3133000-000000**

**PULLEY**

For headrail 3110010. With locking plate. White.



**1056000-012001**

**CORD**

Non-stretch 1.2mm. White. Customized colors available.



**1251330-000001**

**TASSEL - CONNECTOR**

2 pieces. 5mm (top), 2.7mm (bottom) hole. Plastic. White.



**1251990-000000**

**TASSEL**

2 pieces. 5.4mm (top), 3.9mm (bottom) hole. Plastic. Clear. Standard white - 1251990-000001



**3121020-000001**

**BRACKET**

For headrail 3110010. Snap type. Wall and ceiling mount. Steel. White. Plated - 3121020-000005



**3610010-580001**

**HEADRAIL**  
With hook fastener. Aluminium.  
White.



**3730000-000001**

**CORD LOCK**  
White.



**3720000-000001**

**BRACKET**  
Snap type. Wall and ceiling mount.  
Plastic. White.



**3810000-000001**

**CORD LOCK**  
White.



**3820110-000001**

**BRACKET**  
Snap type. Wall and ceiling mount.  
Plastic. White.



**3820220-000001**

**BRACKET**  
Snap type. Long. Wall and ceiling  
mount. Plastic. White.



**3830000-000001**

**END CAP**  
White.



**3840000-000001**

**CORD GUID**  
Snap type. White.



**1056000-012001**

**CORD**  
Non-stretch 1.2mm. White.  
Customized colors available.



**3350009-300000**

**BACKING BAR**  
PVC. Clear. 3m per piece.



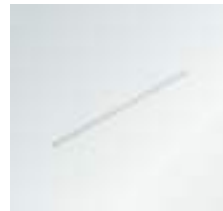
**3350010-580001**

**BACKING BAR**  
Aluminium. White.



**3354080-040000**

**FIBERGLASS ROD**  
4mm. 5m per piece. Natural color.  
3~9.5mm available.



**3354020-040001**

**STEEL ROD**  
4mm. 3m per piece. Steel with PVC  
coated white. 4~6mm available.



**3355000-000001**

**END CAP**  
For backing bar 3350010. Plastic.  
White.



**3356000-000001**

**CORD GUIDE RING**  
Clip to backing bar. Plastic. White.  
Clear - 3356000-000000



**3357000-000001**

**RING**  
8 x 12.5mm. Plastic. White. Clear -  
3357000-000000



**3358000-000001**

**RING WITH TAPE**  
10.5 x 15mm ring. 10 x 18mm tape.  
White.



**3359000-000001**

**RING - CORD LOCKING**  
8 x 11mm oval. Plastic. White.  
Clear - 3359000-000000



**3351000-000000**

**CORD LOCKING TOGGLE**  
Spring loaded push. PC. Clear.



**3353000-000000**

**BREAK AWAY FOR CORD**  
Natural white.



**9212000-000000**

**BREAK AWAY CORD RING**  
Hook and socket. PC. Clear.



**3311000-020001**

**LOOP FASTENER**  
Sew-on. 20mm wide. White. Self-  
adhesive - 3312000-000001



**3313000-020001**

**HOOK FASTENER**  
Sew-on. 20mm wide. White. Self-  
adhesive - 3314000-000001



**3371080-205000**

**FIBERGLASS BAR**  
20mm x 5mm. Natural color. 30mm  
x 3mm - 3371080-303000



**3373000-000001**

**PVC BAR**  
20mm x 8mm. White.



**3374010-253000**

**ALUMINIUM BAR**

25mm x 3mm. Mill finish.



**3315000-016001**

**LINING TAPE**

16mm. White.



**3316000-018001**

**LINING TAPE**

18mm. White. Clear - 3316000-018000 21, 22 & 27mm available. Double sided tape available.



**3318000-018001**

**LINING TAPE**

18mm. One side hollow. With clear ring. White. 16 & 21mm available.



**3319000-018000**

**LINING TAPE**

18mm. With clear ring. Clear. 16 & 21mm available.



**3331000-000001**

**KNITTING T TAPE**

0.5mm. White. Double sided tape available.



**3352020-000001**

**WEIGHT**

50g. PVC coated. White.



**3282010-000005**

**CORD LOCK**  
Two wires with brass rollers. Plated and color options available.



**3282011-000005**

**CORD LOCK**  
Two wires with brass rollers. Die-cast.



**3284010-000005**

**CORD LOCK**  
Four wires with brass rollers. Plated and color options available.



**3231011-000005**

**CORD PULLEY**  
Small wheel. Die-cast.



**3232000-000005**

**CORD PULLEY**  
Small wheel. Plated. Color options available.



**3231000-000005**

**CORD PULLEY**  
Large wheel. Plated. Color options available.



**3233020-000001**

**CORD PULLEY**  
Large wheel. White. Color options available.



**3220020-000042**

**BRACKET**  
47mm. For timber headrail. With wingnut. Steel. Antique brass plated. 52 & 85mm, zinc, color options available.



**9120020-026007**

**L BRACKET**  
26 x 26 x 1.5mm Steel. Zinc.



**3235023-000002**

**CORD LOCK AND PULLEY SET**  
Hanger fits over wood lath. With wire hook. Steel. Black. Zinc and color options available.



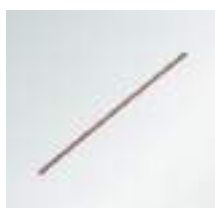
**3230020-010007**

**CORD PULLEY**  
One wheel for heavy duty cafe blinds. Die-cast. Zinc.



**3230020-020007**

**CORD PULLEY**  
Two wheels for heavy duty cafe blinds. Die-cast. Zinc.



**1056000-020001**

**CORD**  
Non-stretch 2.0mm. White. Customized colors available.



**3230020-019043**

**EYELET**  
2 pieces. 11 x 19 x 7mm. Brass. Nickel, satin nickel, antique brass, satin brass and black available.



**3230020-040xxx**

**EYELET**  
2 pieces. 40mm ID, 60mm OD. Steel. Sizes and nickel, satin nickel, antique brass, satin brass, black available.



**3257020-011007**

**CORD RING**  
11mm. Split wire. Plated and color options available.



**3258020-000007**

**CORD RING**  
Split wire with hook. Plated and color options available.



**2624000-000000**

**TIE DOWN CLEAT**  
1 screw fixing. PC. Clear.



**2616000-000000**

**TIE DOWN CLEAT**  
Small. 1 screw fixing. PC. Clear.



**2607000-000000**

**TIE DOWN CLEAT**  
2 screws fixing. PC. Clear.



**2615000-000000**

**TIE DOWN CLEAT**  
K clip. Ribbed. 2 screws fixing. PC. Clear.



**2614020-000007**

**TIE DOWN CLEAT**  
K clip. 2 screws fixing. Steel. Zinc. Color options available.



**2617020-000007**

**TIE DOWN CLEAT**  
K clip. Heavy duty. 2 screws fixing. Die-cast. Color options available.



**2618020-000007**

**TIE DOWN CLEAT**  
K clip. Small. 2 screws fixing with screws. Die-cast. Color options available.



**3250000-050001**

**BORDER TAPE**  
Woven. Sew-on. Self-adhesive - 3251000-050001 Width and color options available.



**3259020-035007**

**SCREW EYE**  
3.3mm x 16.5mm diameter. 35mm length.



**3230030-008021**

**EYELET**  
8.5 x 6 x 8mm Brass. Nickel, satin nickel, antique brass, satin brass and black available.



**3732030-405007**

**CORD EYE**  
4 x 5mm. Brass. Nickel plated.



**4017010-580000**

**ROLLER TUBE**  
25mm. Full round. 5.8m per piece.  
Aluminium. Mill finish.



**4013220-580000**

**ROLLER TUBE**  
28mm. Full round. 5.8m per piece.  
Aluminium. Mill finish.



**4013110-580000**

**ROLLER TUBE**  
28mm. Single slot. 5.8m per piece.  
Aluminium. Mill finish.



**4010010-580000**

**ROLLER TUBE**  
32mm. Single slot. 5.8m per piece.  
Aluminium. Mill finish.



**4015010-580000**

**ROLLER TUBE**  
38mm. Single slot. 1mm thickness.  
5.8m per piece. Aluminium. Mill  
finish.



**4016010-580000**

**ROLLER TUBE**  
38mm. Single slot. 1mm thickness.  
Fit control unit 4036001-038001.  
5.8m per piece. Aluminium. Mill  
finish.



**4011010-580000**

**ROLLER TUBE**  
38mm. Twin slot. 1.2mm thickness.  
5.8m per piece. Aluminium. Mill  
finish. 1.0mm thickness - 4011011-  
580000



**4012010-580000**

**ROLLER TUBE**  
45mm. Triple slot. 5.8m per piece.  
Aluminium. Mill finish.



**4211010-580001**

**HEADRAIL**  
5.8m per piece. Aluminium. White.



**4214010-580001**

**HEADRAIL**  
5.8m per piece. Aluminium. White.



**4030003-032001**

**CHAIN CONTROL UNIT**  
For 32mm tube, 1 spring. White. Fit  
tube 4010010. Customized colors  
available.



**4031003-382001**

**CHAIN CONTROL UNIT**  
For 38mm tube, 2 springs. White.  
Fit tube 4011010, 4015010. 3  
springs - 4031003-383001



**4031223-382001**

**CHAIN CONTROL UNIT**  
For 38mm tube, 2 springs with  
gear. White. Fit tube 4011010,  
4015010. 3 springs and 45mm  
available.



**4033003-038001**

**CHAIN CONTROL UNIT**  
For 38mm tube, 2 springs. Swivel  
chain guide. White. Fit bracket  
4025023 and tube 4011010,  
4015010.



**4034003-038001**

**CHAIN CONTROL UNIT**  
For 38mm tube, 3 springs easy  
operation with gear. White. 45mm -  
4034003-045001



**4036001-038001**

**CHAIN CONTROL UNIT**  
For 38mm tube, 2 springs. White.  
Fit bracket 4027113-038001 and  
tube 4016010.



**4036116-038001**

**CHAIN CONTROL UNIT**  
For 38mm tube. Insert type. Plastic. White. Fit bracket 4023123-038001.



**4038003-038001**

**CHAIN CONTROL UNIT**  
For 38mm tube, 2 spring. White. Fit tube 4011010, 4015010. Customized colors available.



**4031003-452001**

**CHAIN CONTROL UNIT**  
For 45mm tube and 38mm bracket, 2 springs. White. Fit tube 4012010. 3 springs available.



**4033113-038001**

**CHAIN CONTROL UNIT**  
For 38mm tube. With twist type metal pin idle end.



**4020023-032001**

**BRACKET SET**  
32mm standard foot. Steel. White. 38 & 45mm available. Customized colors available.



**4023123-038001**

**BRACKET SET**  
38mm standard foot. Fit control unit 4036116. Steel. White. Customized colors available.



**4027113-038001**

**BRACKET SET**  
38mm standard foot. Fit control unit 4036001. Steel. White. 7.5cm height - 4027223-038001



**4022023-045001**

**BRACKET SET**  
45mm wide foot. Steel. White. 38mm - 4022023-038001 Customized colors available.



**4037003-038001**

**CHAIN CONTROL UNIT**  
For 38mm tube, 2 springs. White. Fit tube 4011010. Customized colors available.



**4031003-045001**

**CHAIN CONTROL UNIT**  
For 45mm tube, 2 springs. White. Fit tube 4012010. Customized colors available.



**4032003-453001**

**CHAIN CONTROL UNIT**  
For 45mm tube, 3 springs. White. Fit tube 4012010. Customized colors available.



**4039003-045001**

**CHAIN CONTROL UNIT**  
For 45mm tube, 5:1 ratio gear for heavy blind. White. Fit tube 4012010. Customized colors available.



**4021023-038001**

**BRACKET SET**  
38mm insert foot. Use with headrail 4114010, 4214010. Steel. White. 32mm and customized colors available.



**4026023-038001**

**BRACKET SET**  
38mm wide foot. Fit control unit 4034003. Steel. White. 45mm - 4026023-045001



**4029113-000001**

**BRACKET SET**  
38mm standard foot. With metal pin converter. Fit control unit 4033113.



**4045023-038001**

**BRACKET SET - EXTENDABLE**  
38mm standard foot. Steel. White. 32 & 45mm available. Customized colors available.



**4041022-038001**

**BRACKET SET - DOUBLE**

38mm, 2 right side. Steel. White.  
32mm available. 2 left side -  
4041021/1 left & 1 right - 4041023



**4046022-038001**

**BRACKET SET - DOUBLE**

38mm, 2 right side. Steel. White.  
Customized colors available.



**4042023-038001**

**BRACKET SET - DOUBLE**

38mm for either left or right side.  
Steel. White. Customized colors  
available.



**4044021-045001**

**BRACKET SET - DOUBLE**

45mm for either left or right side.  
Steel. White. Customized colors  
available.



**4035023-028001**

**ROLLER SET**

28mm with idle end and steel  
brackets. White. Fit bracket cover -  
4024110-028001 25 & 32mm  
available.



**4035113-028001**

**ROLLER SET**

28mm with idle end and brackets.  
Plastic. White. Fit tube 4013110.  
With chain loop and 25mm  
available.



**4035223-028001**

**ROLLER SET**

28mm with idle end and brackets.  
Plastic. White. Use with tube  
4013220. Available as set with  
chain loop.



**4024110-028001**

**BRACKET COVER**

Fit 28mm bracket 4035023. Plastic.  
White.



**4024110-038001**

**BRACKET COVER**

Fit 38mm bracket 4020023. Plastic.  
White. 32 & 45mm available.  
Customized colors available.



**4024440-038001**

**BRACKET COVER**

Fit 38mm bracket 4027113. Plastic.  
White. 7.5cm height - 4024330-  
038001



**4027003-038001**

**BRACKET COVER - DOUBLE**

Fit 38mm double bracket 4041022.  
Plastic. White.



**4081181-430023**

**SPRING ASSIST**

For 38mm tube, 1.8 x 430mm. Left  
side. Grey. 630mm available. Right  
side (white) - 4081182-430001



**4082181-430023**

**SPRING ASSIST**

For 45mm tube, 1.8 x 430mm. Left  
side. Grey. 630mm available. Right  
side (white) - 4082182-430001



**4039110-038001**

**CENTRE JOINT**

38mm for one chain control.  
Economy friction type with end  
caps and bracket. White.



**4040110-038001**

**CENTRE JOINT**

38mm for one chain control. With 2  
toothed idle ends and bracket with  
bearing. White. 45mm available.



**4039220-038001**

**CENTRE SUPPORT**

38mm for two chain controls.  
Economy friction type with end  
caps and bracket. White.



**4040220-038001**

**CENTRE SUPPORT**  
38mm for two chain controls. With 2 spring loaded idle ends and bracket. White. 45mm - 4040220-045001



**4240020-038001**

**CENTRE JOINT - DOUBLE**  
38mm for one chain control. Steel. 45mm - 4240020-045001  
Customized colors available.



**4241020-038001**

**CENTRE SUPPORT - DOUBLE**  
38mm for two chain controls. Steel. 45mm - 4241020-045001  
Customized colors available.



**4070010-580001**

**BASE BAR**  
20mm diameter. Twin slot. Aluminium. White. Fit end cap 4073000. Customized colors available.



**4071010-580001**

**BASE BAR**  
2.7mm narrow rectangle. Twin slot. Aluminium. White. Fit end cap 4071000. PVC - 4071000 and colors available.



**4072010-580001**

**BASE BAR**  
20mm diameter. Single slot. Aluminium. Fit end cap 4072000. Customized colors available.



**4073010-580001**

**BASE BAR**  
20mm diameter. Single slot. Aluminium. White. Fit end cap 4072000. Customized colors available.



**4074010-580001**

**BASE BAR**  
Oval. Single slot. Aluminium. Fit end cap 4074003. Customized colors available.



**4075010-580001**

**BASE BAR**  
4.2mm wide rectangle. Twin slot. Aluminium. White. Fit end cap 4071000. Customized colors available.



**4076010-580001**

**BASE BAR**  
20mm diameter. Single slot. Aluminium. Fit end cap 4072000. Customized colors available.



**4077010-580001**

**BASE BAR**  
12mm diameter. Single slot. Aluminium. Fit end cap 4077000. Customized colors available.



**4078010-580001**

**BASE BAR**  
15mm diameter. Single slot. Aluminium. Fit end cap 4078000. Customized colors available.



**4079010-580001**

**BASE BAR**  
With back slot. Aluminium. Fit end cap 4079000 and rubber strip 4076000. Suitable with 9mm hold down strip.



**4076000-000000**

**RUBBER STRIP**  
Fit base bar 4079010. PVC. Clear.



**4071000-000001**

**END CAP**  
Rectangle. Fit base bar 4071010, 4075010. Plastic. White.



**4072000-000001**

**END CAP**  
Round. Fit base bar 4073010, 4076010. Plastic. White.



**4073000-000001**

**END CAP**

Round. Fit base bar 4070010.  
Plastic. White.



**4074003-000001**

**END CAP**

Curved. Pair left and right hand side. Fit base bar 4074010. Plastic. White.



**4077000-000001**

**END CAP**

Round. Fit base bar 4077010.  
Plastic.



**4078000-000001**

**END CAP**

Round. Fit base bar 4078010.  
Plastic. White.



**4079000-000000**

**END CAP**

Rectangle. Plastic. Clear.



**9011000-250001**

**BALL CHAIN**

4.5mm (#10) x 6mm. 250m reel.  
Plastic. White. Customized colors available. Endless loop available.



**9013000-250001**

**BALL CHAIN**

4.5mm (#10) x 12mm. 250m reel.  
Plastic. White.



**9010020-150005**

**BALL CHAIN**

4.5mm (#10) x 6mm. 150m reel.  
Steel. Nickel plated.  
Brass - 9010030-150021. Stainless - 9010040-150020.



**9014000-100001**

**BALL CHAIN LOOP**

4.5mm (#10) x 6mm. 100cm drop.  
Plastic. White. Other drop lengths and colors available.



**9017020-100005**

**BALL CHAIN LOOP**

4.5mm (#10) x 6mm. 100cm drop.  
Steel. Nickel plated. Brass, nickel - 9017030  
Stainless steel - 9017040



**9018000-100001**

**BALL CHAIN LOOP**

4.5mm (#10) x 12mm. 100cm drop.  
Plastic. White. Other drop lengths and colors available.



**9020000-045001**

**CONNECTOR**

For 4.5mm (#10) ball chain. Plastic. White. 3.2mm (#6) - 9020000-032001



**9021000-045001**

**CONNECTOR**

For 4.5mm (#10) ball chain. Heavy duty. Plastic. White.



**9023000-045001**

**CONNECTOR**

For 4.5mm (#10) ball chain. 2 pieces. Plastic. White.



**9024110-045000**

**CONNECTOR**

For 4.5mm (#10) ball chain. Open type. Plastic. Clear. White - 9024110-045001



**9024220-045000**

**CONNECTOR**

For 4.5mm (#10) ball chain. Open type. Safe break. PC. Clear. White - 9024220-045001



**9022020-045005**

**CONNECTOR**

For 4.5mm (#10) ball chain. Steel. Nickel plated. For 3.2mm (#6), brass, nickel plated - 9022020-032021



**9208045-000000**

**SAFETY CHAIN BREAK - SOCKET**

For 4.5mm (#10) ball chain. Plastic. Clear. 4.0mm (#8) available.



**9208145-000000**

**SAFETY CHAIN BREAK - BALL**

For 4.5mm (#10) ball chain. Plastic. Clear. 4.0mm (#8) available.



**9004000-045000**

**CHAIN STOPPER**

Round. Snap on 4.5mm bead. PC. Clear.



**9008000-000000**

**CHAIN STOPPER**

Flat round. Snap on chain cord. PC. Clear.



**9005000-000000**

**CHAIN STOPPER**

Flat round. Snap on chain cord. PC. Clear.



**9003020-045021**

**SPLIT BALL**

4.5mm. Brass. Nickel plated. 6.4mm - 9003020-064021 4, 6, 8 & 10mm available. Customized colors available.



**2060000-060001**

**CORD WEIGHT**

60g. Curved. ABS. White. Logo - print and engrave options. Customized colors available.



**2061000-060001**

**CORD WEIGHT**

60g. Curved. ABS. White. 80g - 2061000-080001 Logo - print and engrave options.



**2065000-060001**

**CORD WEIGHT**

Curved with opening for connector. ABS. White.



**2062000-050001**

**CORD WEIGHT**

50g. White. Customized colors available.



**2069000-000001**

**CORD WEIGHT**

Compact. White. Customized colors available.



**2066000-000000**

**CHAIN TIE DOWN**

Large P clip. PC. Clear.



**2067000-000000**

**CHAIN TIE DOWN**

Mini P clip. PC. Clear.



**2610000-000000**

**CHAIN TIE DOWN**

P clip. Long neck. PC. Clear.



**2068000-000001**

**CHAIN TIE DOWN**

Twin tension device with 2 adjustable guides. 70mm height. Plastic. White.



**2621000-000001**

**CHAIN TIE DOWN**

Bracket with pulley wheel. Steel and plastic. White.



**2622000-000001**

**CHAIN TIE DOWN**

Recess fit with pulley wheel. Steel and plastic. White.



**4083000-010001**

**HOLD DOWN STRIP**

10mm width x 0.8mm thickness. 100m roll. PVC. With adhesive tape - 4083001-010001



**4084000-007000**

**HOLD DOWN STRIP**

7mm width x 0.5mm thickness. 1000m roll. ABS. With adhesive tape 4084001-007001



**4085000-007000**

**HOLD DOWN STRIP**

7mm width x 0.35mm thickness. 200m roll. PET. With adhesive tape - 4085001-007001



**4082000-015000**

**DOUBLE SIDED TAPE**

15mm width. Genuine 3M. 55m roll. Other sizes available.



**4081110-007000**

**ROLLER TOOL**

Use for installing hold down strip. Flat pin - 4081331-007000



**4081220-001000**

**ROLLER TOOL**

Use for preparing fabric for hold down strip.



**9180020-000000**

**HAND TOOL**

For metal ball chain. Cut chain, split and crimp bead.



**0920110-019021**

**SCREW**

4 x 19mm. Pan head. Phillips screw. Steel. Nickel plated.



**0920220-016007**

**SCREW**

3.5 x 16mm. Pan head. Phillips screw. Steel. Zinc.



**0920220-025007**

**SCREW**

3.5 x 25mm Pan head. Phillips screw. Steel. Zinc.



**0960110-032000**

**WALL ANCHOR**

32mm. Self drilling. For plaster board. Nylon.



**4011010-580000**

**ROLLER TUBE**

38mm. Twin slot. 1.2mm thickness. 5.8m per piece. Aluminium. Mill finish. 1.0mm thickness - 4011011-580000



**4038993-038001**

**TWIN PULL**

For 38mm tube. Operates via two separate chains or wands. White. Fit tube 4011010. Customized colors available.



**4037001-038001**

**IDLE END**

38mm. Spring pin. Plastic. White.



**4020023-038001**

**BRACKET SET**

38mm standard foot. Steel. White. Customized colors available.



**9024110-045000**

**CONNECTOR**

For 4.5mm (#10) ball chain. Open type. Plastic. Clear. White - 9024110-045001



**9011000-250001**

**BALL CHAIN**

4.5mm (#10) x 6mm. 250m reel. Plastic. White. Customized colors available. Endless loop available.



**9010020-150005**

**BALL CHAIN**

4.5mm (#10) x 6mm. 150m reel. Steel. Nickel plated. Brass - 9010030-150021. Stainless - 9010040-150020.



**1060440-000007**

**TASSEL**

Alloy.



**6080030-100001**

**WAND**

9.5mm with wand connector. Aluminium. White.



**4018010-580000**

**ROLLER TUBE**  
17mm. Full round. 5.8m per piece.  
Aluminium. Mill finish.



**4013110-580000**

**ROLLER TUBE**  
28mm. Single slot. 5.8m per piece.  
Aluminium. Mill finish.



**4010010-580000**

**ROLLER TUBE**  
32mm. Single slot. 5.8m per piece.  
Aluminium. Mill finish.



**4011010-580000**

**ROLLER TUBE**  
38mm. Twin slot. 1.2mm thickness.  
5.8m per piece. Aluminium. Mill  
finish. 1.0mm thickness - 4011011-  
580000



**4211010-580001**

**HEADRAIL**  
5.8m per piece. Aluminium. White.



**4212010-580002**

**HEADRAIL**  
For spring lift system. 5m per piece.  
Aluminium. Black.



**4214010-580001**

**HEADRAIL**  
5.8m per piece. Aluminium. White.



**4233080-180002**

**TENSION CONTROL BRAKE**  
For 17mm tube, 0.8 x 180mm.  
Black. 0.8 x 250mm - 4233080-  
250002



**4231110-260001**

**TENSION CONTROL BRAKE**  
For 32mm tube, 1.1 x 260mm.  
White. For 28mm tube, 1.1 x  
260mm - 4230110-260001



**4232150-400001**

**TENSION CONTROL BRAKE**  
For 38mm tube, 1.5 x 400mm.  
White. For 38mm tube, 1.4 x 360 /  
400mm - 4232140-360001 / 400001



**4235000-017002**

**STOPPER**  
For 17mm tube. Fit right side.  
Black.



**4235000-032001**

**STOPPER**  
For 32mm tube. Fit right side. Total  
length 70mm. White. 40mm length  
- 4235000-032401 For 28mm tube  
available.



**4235110-032001**

**STOPPER**  
For 32mm tube. Fit right side. Total  
length 117mm. Black.



**4235000-038001**

**STOPPER**  
For 38mm tube. Fit right side.  
White. Left side - 4235001-038001



**4222002-017001**

**STOPPER BRACKET**  
For 17mm stopper. Square hole.  
Plastic. Black.



**4220000-017002**

**IDLE END BRACKET**  
For 17mm idle end. Round hole.  
Plastic. Black.



**4222001-017001**

**SPRING END BRACKET**

For 17mm spring. Square hole. End slot adjuster. Plastic. Black.



**4221020-000001**

**IDLE END BRACKET**

For 28 & 32mm idle end. Steel. White.



**4222000-000001**

**SPRING END BRACKET**

For 28 & 32mm spring. Plastic adjuster. Plastic. White.



**4224000-000001**

**SPRING END BRACKET**

For 28 & 32mm spring. Plastic adjuster with 2 screws. Steel. White.



**4228020-038001**

**SPRING END BRACKET**

For 32mm spring with 38mm large bracket. End slot adjuster with 2 screws. Steel. White.



**4223110-038001**

**SPRING END BRACKET**

For 38mm spring. End slot adjuster with 2 screws. Steel. White.



**4227020-060002**

**SPRING END BRACKET**

For 28 & 32mm spring. 6cm height. Plastic adjuster. Fit 4212010. Steel. Black.



**4226020-000002**

**SPRING END BRACKET**

For 28 & 32mm spring. Side by side type. Plastic adjuster. Fit 4212010. Steel. Black.



**4220000-000001**

**IDLE END BRACKET**

For 28 & 32mm idle end. Plastic. White.



**4221020-038001**

**IDLE END BRACKET**

For 38mm idle end. Steel. White. 32mm - 4221020-032001



**4230020-060001**

**SPRING END BRACKET**

For 28 & 32mm spring. 6cm height. Plastic adjuster. Steel. White.



**4224110-000001**

**SPRING END BRACKET**

For 28 & 32mm spring. End slot adjuster with 2 screws. Steel. White.



**4228000-038001**

**SPRING END BRACKET**

For 38mm spring. Plastic adjuster with 2 screws. Steel. White.



**4223220-038001**

**SPRING END BRACKET**

For 38mm spring. End slot adjuster with 2 screws. Fit 4214010. Steel. White. For 28 & 32mm - 4224220



**4225110-115002**

**SPRING END BRACKET**

For 28 & 32mm spring. 11.5cm height. Plastic adjuster. Fit 4212010. Steel. Black. 10cm - 4225220



**4227110-056001**

**SPRING END BRACKET**

For 28 & 32mm spring. 56mm height. Assembly-bracket with speed limit adjuster. White.



**4225330-108001**

**SPRING END BRACKET**

For 28 & 32mm spring. 108mm height. Assembly-bracket with speed limit adjuster. White.



**4230110-097001**

**SPRING END BRACKET**

For 28 & 32mm spring. 108mm height. Assembly-bracket with speed limit adjuster. White.



**0910220-312007**

**SCREW**

3 x 12mm. Countersunk head. Phillips screw. Steel. Zinc.



**4232000-017002**

**IDLE END**

17mm. Plastic. Black.



**4232000-028001**

**IDLE END**

28mm. Plastic. White.



**4232000-032001**

**IDLE END**

32mm. Plastic. White.



**4233000-038001**

**IDLE END**

38mm. Twist type. Plastic. White. 32mm - 4233000-032001



**4234000-038001**

**IDLE END**

38mm. Spring pin. Plastic. White. 32mm - 4234000-032001



**4031001-038001**

**IDLE END**

38mm. Cross shape. Spring pin. Plastic. White.



**4070010-580001**

**BASE BAR**

20mm diameter. Twin slot. Aluminium. White. Fit end cap 4073000. Customized colors available.



**4072000-000001**

**END CAP**

Round. Fit base bar 4073010, 4076010. Plastic. White.



**4274110-000001**

**HANDLE**

Slide into base bar. Plastic. White.



**4274020-000007**

**CORD CLIP**

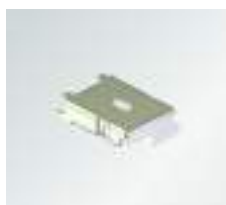
For attaching tassel pull cord. Slide into base bar. Steel. Zinc.



**4274220-055001**

**TASSEL**

Assembled with 1.5mm cord. 55cm per length. Plastic. White.



**4229020-000008**

**BRACKET**

Snap type. Plated. Fit headrail 4211010. White - 4229020-000001



**2020110-000001**

**BRACKET**

Snap type. Ceiling mount. 5 x 12mm hole. Steel. White. 5 x 16mm - 2020500-016XXX 7.5 x 12mm - 2020750-012XXX



**4291000-032002**

**HAND TOOL**

To pre-tension 28 & 32mm spring.  
Flat. Plastic. Black.



**4290000-000002**

**HAND CRANK**

To pre-tension spring with adapter  
for 28 & 32mm spring. Plastic.  
Black. 38mm - 4290000-038002



**4441010-550001**

**UNIVERSAL FASCIA**

Front cover. Aluminium. White.



**4443000-000001**

**END CAP**

For left or right hand side. Use with fascia 4441010. Plastic. White.



**4442000-000001**

**EXTERNAL CORNER**

For left or right hand side. Use with fascia 4441010. Plastic. White.



**4445010-005001**

**JOINT**

For fascia extension. Use with fascia 4441010. Aluminium. White.



**4444000-000001**

**BRACKET CLAMP**

Compatible with different types of brackets. Plastic. White.



**2022440-115001**

**BRACKET**

115mm. Ribbed. Ceiling mount. Steel. White



**2022110-075001**

**BRACKET**

75mm. Ribbed. Wall mount. Steel. White. 105mm - 2022110-105xxx  
Zinc - 2022110-xxx007



**4111010-580001**

**HEADRAIL**  
For cassette system. 5.8m per piece. Use with fascia 4141010. Aluminium. White.



**4141010-580001**

**FASCIA**  
Curved front cover. 5.8m per piece. Use with headrail 4111010. Aluminium. White.



**4150010-580001**

**FASCIA**  
Flat back cover. 5.8m per piece. Use with headrail 4111010 & fascia 4141010. Aluminium. White. Colors available.



**4011010-580000**

**ROLLER TUBE**  
38mm. Twin slot. 1.2mm thickness. 5.8m per piece. Aluminium. Mill finish. 1.0mm thickness - 4011011-580000



**4012010-580000**

**ROLLER TUBE**  
45mm. Triple slot. 5.8m per piece. Aluminium. Mill finish.



**4037003-038001**

**CHAIN CONTROL UNIT**  
For 38mm tube, 2 springs. White. Fit tube 4011010. Customized colors available.



**4031003-045001**

**CHAIN CONTROL UNIT**  
For 45mm tube, 2 springs. White. Fit tube 4012010. Customized colors available.



**4120023-038001**

**BRACKET SET**  
For 38mm mechanism. Fit headrail 411101. Steel. White.



**4120023-045001**

**BRACKET SET**  
For 45mm mechanism. Fit headrail 411101. Steel. White.



**4122003-038001**

**END COVER SET**  
For 38mm system. With screws and screw covers. Plastic. White. 45mm available.



**4121020-000001**

**BRACKET**  
Snap type. Wall and ceiling mount. Steel. White.



**4122020-000007**

**BRACKET**  
Snap type. Wall and ceiling mount. Steel. Zinc.



**9011000-250001**

**BALL CHAIN**  
4.5mm (#10) x 6mm. 250m reel. Plastic. White. Customized colors available. Endless loop available.



**4113010-580001**

**HEADRAIL**  
For cassette system. 5.8m per piece. Use with fascia 4143010. Aluminium. White.



**4143010-580001**

**FASCIA**  
Curved front cover. 5.8m per piece. Use with headrail 4113010. Aluminium. White.



**4145010-580001**

**FASCIA**  
Curved front cover with fabric slot. 5.8m per piece. Use with headrail 4113010. Aluminium. White.



**4010010-580000**

**ROLLER TUBE**  
32mm. Single slot. 5.8m per piece. Aluminium. Mill finish.



**4011010-580000**

**ROLLER TUBE**  
38mm. Twin slot. 1.2mm thickness. 5.8m per piece. Aluminium. Mill finish. 1.0mm thickness - 4011011-580000



**4030003-032001**

**CHAIN CONTROL UNIT**  
For 32mm tube, 1 spring. White. Fit tube 4010010. Customized colors available.



**4037003-038001**

**CHAIN CONTROL UNIT**  
For 38mm tube, 2 springs. White. Fit tube 4011010. Customized colors available.



**4123003-000001**

**END COVER SET**  
Integral mount for 32mm and 38mm mechanism. With 6 screws set. Use with headrail 4113010. Plastic. White.



**6037020-000001**

**BRACKET**  
Snap type. Ceiling mount. Fit cassette headrail 4113010. Steel. White.



**4125020-000001**

**BRACKET**  
Swivel lock. Wall and ceiling mount. Fit cassette headrail 4113010. Steel. White.



**9011000-250001**

**BALL CHAIN**  
4.5mm (#10) x 6mm. 250m reel. Plastic. White. Customized colors available. Endless loop available.



**4115010-580001**

**CASSETTE**  
One piece with fabric slot. 5.8m per piece. Aluminium. White.



**4011010-580000**

**ROLLER TUBE**  
38mm. Twin slot. 1.2mm thickness. 5.8m per piece. Aluminium. Mill finish. 1.0mm thickness - 4011011-580000



**4036003-038001**

**CHAIN CONTROL UNIT**  
For 38mm tube. Insert type. Plastic. White.



**4126003-000001**

**END COVER SET**  
Insert type. Use with cassette 4115010. Plastic. White.



**4123020-000001**

**BRACKET**  
Snap type. Wall and ceiling mount. Steel. White.



**9011000-250001**

**BALL CHAIN**  
4.5mm (#10) x 6mm. 250m reel. Plastic. White. Customized colors available. Endless loop available.



**4112010-580001**

**CASSETTE - SQUARE**  
One piece. 5.8m per piece.  
Aluminium. White.



**4011010-580000**

**ROLLER TUBE**  
38mm. Twin slot. 1.2mm thickness.  
5.8m per piece. Aluminium. Mill  
finish. 1.0mm thickness - 4011011-  
580000



**4036003-038001**

**CHAIN CONTROL UNIT**  
For 38mm tube. Insert type. Plastic.  
White.



**4127003-000001**

**END COVER SET**  
Insert type. Use with cassette  
4112010. Plastic. White.



**4229020-000008**

**BRACKET**  
Snap type. Plated. Fit headrail  
4211010. White - 4229020-000001



**4114010-580001**

**HEADRAIL**  
For zebra blinds. 5.8m per piece. Aluminium. White.



**2024110-075001**

**BRACKET**  
75mm. Wall mount with ceiling fix snap bracket. Steel. White. 100mm available. Zinc - 2024110-xxx007



**4011010-580000**

**ROLLER TUBE**  
38mm. Twin slot. 1.2mm thickness. 5.8m per piece. Aluminium. Mill finish. 1.0mm thickness - 4011011-580000



**4037003-038001**

**CHAIN CONTROL UNIT**  
For 38mm tube, 2 springs. White. Fit tube 4011010. Customized colors available.



**9011000-250001**

**BALL CHAIN**  
4.5mm (#10) x 6mm. 250m reel. Plastic. White. Customized colors available. Endless loop available.



**2020110-000001**

**BRACKET**  
Snap type. Ceiling mount. 5 x 12mm hole. Steel. White. 5 x 16mm - 2020500-016XXX 7.5 x 12mm - 2020750-012XXX



**4010010-580000**

**ROLLER TUBE**  
32mm. Single slot. 5.8m per piece. Aluminium. Mill finish.



**4030003-032001**

**CHAIN CONTROL UNIT**  
For 32mm tube, 1 spring. White. Fit tube 4010010. Customized colors available.



**4021023-038001**

**BRACKET SET**  
38mm insert foot. Use with headrail 4114010, 4214010. Steel. White. 32mm and customized colors available.



**4114010-580001**

**HEADRAIL**

For zebra blinds. 5.8m per piece. Aluminium. White.



**2020110-000001**

**BRACKET**

Snap type. Ceiling mount. 5 x 12mm hole. Steel. White. 5 x 16mm - 2020500-016XXX 7.5 x 12mm - 2020750-012XXX



**2022110-075001**

**BRACKET**

75mm. Ribbed. Wall mount. Steel. White. 105mm - 2022110-105xxx Zinc - 2022110-xxx007



**4013110-580000**

**ROLLER TUBE**

28mm. Single slot. 5.8m per piece. Aluminium. Mill finish.



**4010010-580000**

**ROLLER TUBE**

32mm. Single slot. 5.8m per piece. Aluminium. Mill finish.



**4011010-580000**

**ROLLER TUBE**

38mm. Twin slot. 1.2mm thickness. 5.8m per piece. Aluminium. Mill finish. 1.0mm thickness - 4011011-580000



**4231110-260001**

**TENSION CONTROL BRAKE**

For 32mm tube, 1.1 x 260mm. White. For 28mm tube, 1.1 x 260mm - 4230110-260001



**4232150-400001**

**TENSION CONTROL BRAKE**

For 38mm tube, 1.5 x 400mm. White. For 38mm tube, 1.4 x 360 / 400mm - 4232140-360001 / 400001



**4235000-032001**

**STOPPER**

For 32mm tube. Fit right side. Total length 70mm. White. 40mm length - 4235000-032401 For 28mm tube available.



**4235000-038001**

**STOPPER**

For 38mm tube. Fit right side. White. Left side - 4235001-038001



**4224220-000001**

**SPRING END BRACKET**

For 28 & 32mm spring. End slot adjuster with 2 screws. Fit headrail 4214010. Steel. White.



**4223220-038001**

**SPRING END BRACKET**

For 38mm spring. End slot adjuster with 2 screws. Fit 4214010. Steel. White. For 28 & 32mm - 4224220



**4113010-580001**

**HEADRAIL**

For cassette system. 5.8m per piece. Use with fascia 4143010. Aluminium. White.



**4143010-580001**

**FASCIA**

Curved front cover. 5.8m per piece. Use with headrail 4113010. Aluminium. White.



**4145010-580001**

**FASCIA**

Curved front cover with fabric slot. 5.8m per piece. Use with headrail 4113010. Aluminium. White.



**4013110-580000**

**ROLLER TUBE**

28mm. Single slot. 5.8m per piece. Aluminium. Mill finish.



**4010010-580000**

**ROLLER TUBE**

32mm. Single slot. 5.8m per piece. Aluminium. Mill finish.



**4011010-580000**

**ROLLER TUBE**

38mm. Twin slot. 1.2mm thickness. 5.8m per piece. Aluminium. Mill finish. 1.0mm thickness - 4011011-580000



**4231110-260001**

**TENSION CONTROL BRAKE**

For 32mm tube, 1.1 x 260mm. White. For 28mm tube, 1.1 x 260mm - 4230110-260001



**4232150-400001**

**TENSION CONTROL BRAKE**

For 38mm tube, 1.5 x 400mm. White. For 38mm tube, 1.4 x 360 / 400mm - 4232140-360001 / 400001



**4235000-032001**

**STOPPER**

For 32mm tube. Fit right side. Total length 70mm. White. 40mm length - 4235000-032401 For 28mm tube available.



**4235000-038001**

**STOPPER**

For 38mm tube. Fit right side. White. Left side - 4235001-038001



**4124003-038001**

**END COVER WITH ADJUSTER**

For 38mm system. Pair left and right hand side. Plastic. White. For 28 & 32mm - 4124003-032001



### 4174010-580001

**BASE BAR**  
Round. For zebra blinds. 5.8m per piece. Use with base bar 4175010. Aluminium. White.



### 4175010-580001

**BASE BAR**  
Triangle. For zebra blinds. 5.8m per piece. Use with base bar 4174010. Aluminium. White.



### 4173000-000001

**END CAP SET**  
Fit base bar 4174010, 4175010. 2 pieces set with screw. Plastic. White.



### 4170010-580001

**BASE BAR**  
Round. For zebra blinds. 5.8m per piece. Aluminium. White.



### 4171010-580001

**BASE BAR**  
Triangle. For zebra blinds. 5.8m per piece. Aluminium. White.



### 4172000-000001

**END CAP**  
Fit base bar 4170010, 4171010. Plastic. White. Clear - 4172000-000000



**4113010-580001**

**HEADRAIL**  
For cassette system. 5.8m per piece. Use with fascia 4143010. Aluminium. White.



**4143010-580001**

**FASCIA**  
Curved front cover. 5.8m per piece. Use with headrail 4113010. Aluminium. White.



**4145010-580001**

**FASCIA**  
Curved front cover with fabric slot. 5.8m per piece. Use with headrail 4113010. Aluminium. White.



**4123003-000001**

**END COVER SET**  
Integral mount for 32mm and 38mm mechanism. With 6 screws set. Use with headrail 4113010. Plastic. White.



**4011010-580000**

**ROLLER TUBE**  
38mm. Twin slot. 1.2mm thickness. 5.8m per piece. Aluminium. Mill finish. 1.0mm thickness - 4011011-580000



**7001052-038000**

**TUBULAR MOTOR**  
Multiple stop position. Plug-in type. 1.2NM / 30RPM / DC 12V (for 100V~ 240V power)



**7004000-038001**

**MOTOR PLATE ADAPTER**  
For 38mm bracket. Plastic. White.



**7002000-038001**

**MOTOR CROWN**  
For 38mm tube. Plastic. White.



**7003000-038002**

**DRIVE WHEEL**  
For 38mm tube. Plastic. Black.



**4037001-038001**

**IDLE END**  
38mm. Spring pin. Plastic. White.



**4020023-038001**

**BRACKET SET**  
38mm standard foot. Steel. White. Customized colors available.



**7005000-000001**

**REMOTE CONTROL**  
For multiple stop position setting. Plastic. White. Available for 1 to 1 or 1 to 16 channels at most.



**4012010-580000**

**ROLLER TUBE**  
45mm. Triple slot. 5.8m per piece.  
Aluminium. Mill finish.



**7001052-456000**

**TUBULAR MOTOR**  
Multiple stop position. Internal rechargeable battery. Available for 45 & 60mm tube.



**7004020-456000**

**MOTOR PLATE ADAPTER**  
Available for 45 & 60mm bracket.  
Metal.



**7002000-045001**

**MOTOR CROWN**  
For 45mm tube. Plastic. White.



**7003000-045002**

**DRIVE WHEEL**  
For 45mm tube. Plastic. Black.



**4031001-045001**

**IDLE END**  
45mm. Spring pin. Plastic. White.



**4020023-045001**

**BRACKET SET**  
45mm standard foot. Steel. White.  
Customized colors available.



**6010010-003001**

**HEADRAIL**  
3 way. Aluminium. White. 2 way - 6010010-002001 4 way - 6010010-004001 5 way - 6010010-005001



**6016010-400001**

**RAIL**  
With hook tape. Aluminium. White.



**6034110-000001**

**CARRIER**  
Wheeled. With screw. Plastic. White.



**6034220-000001**

**CARRIER**  
Wheeled with ring for wand. With screw. Plastic. White.



**6030110-000001**

**STOPPER**  
T type. With screw. Plastic. White.



**6030220-000001**

**STOPPER**  
Short T type. With screw. Plastic. White.



**6030330-000001**

**STOPPER**  
L type end cap. With screw. Plastic. White.



**6030440-000001**

**STOPPER**  
L type. With screw. Plastic. White.



**6017010-400001**

**RAIL**  
With hook tape. Aluminium. White.



**6018010-580001**

**RAIL**  
No-sew. Use with hold down strip 6019010. Aluminium. White.



**6019010-580001**

**HOLD DOWN STRIP**  
Use with rail 6018010. Aluminium. White.



**6034330-000001**

**CARRIER**  
Friction type end cap. Wand holder. Right side. With screw. Use with rail 6017010, 6018010. Plastic. White.



**6034440-000001**

**CARRIER**  
Friction type end cap. Wand holder. Left side. With screw. Use with rail 6017010, 6018010. Plastic. White.



**6034550-000001**

**CARRIER**  
Friction type. With screw. Use with rail 6017010, 6018010. Plastic. White.



**6030550-003001**

**END CAP**  
For 3 way cord control. With screws . Plastic. White. 2, 4 & 5 way available.



**6030660-005001**

**END CAP**  
For 3, 4 & 5 way wand control. With screws. Plastic. White. 2 way - 6030660-002001



**6030770-005001**

**END CAP COVER**  
For 3, 4 & 5 way wand control. Plastic. White. 2 way - 6030770-002001



**6031330-005001**

**BRACKET**  
Snap type. Ceiling mount. For 3, 4 & 5 way headrail. Steel. White. 2 way - 6031330-002001



**6032110-000005**

**BRACKET**  
Swivel lock. Ceiling mount. For 3, 4 & 5 way headrail. Steel. Plated.



**6032220-000007**

**BRACKET**  
Swivel lock. Ceiling mount. For 3, 4 & 5 way headrail. Steel. Zinc.



**6032330-000001**

**JOINT**  
Connect 5 way headrail. Steel. White.



**6031220-000005**

**STOPPER**  
Screw and nut. Steel. Plated.



**6031110-000001**

**CORD DRIVE CONNECTOR**  
With screw. Plastic. White.



**6034660-000001**

**WAND ADAPTER**  
Fit rail end. With screw. Plastic. White.



**1056000-018001**

**CORD**  
Non-stretch 1.8mm. White. Customized colors available.



**6080110-100001**

**WAND**  
9.5mm with snap hook. Fiberglass. White.



**6080010-100001**

**WAND**  
9.5mm with snap hook and handle. Aluminium. White.



**6080220-100001**

**WAND**  
With snap hook and handle. PVC coated metal. White.



**6080120-100000**

**WAND**  
With snap hook. 12mm diameter. 1m per piece. Acrylic. Clear. 9mm diameter - 6080090-100001



**6081180-120000**

**WAND**  
With snap hook. 18mm diameter hex. 48" length per piece. Acrylic. Clear.



**6110010-003006**

**HEADRAIL**  
3 way. Aluminium. Anodised. 4 way - 6110010-004006 6 way - 6110010-006006



**6111010-400006**

**RAIL**  
With hook tape. 4m per piece. Aluminium. Anodised.



**6112010-400006**

**RAIL**  
No-sew. 4m per piece. Use with clamping strip 6113010. Aluminium. Anodised.



**6170010-400006**

**BASE BAR**  
No-sew. 4m per piece. Use with clamping strip 6113010. Aluminium. Anodised.



**6113010-400006**

**CLAMPING STRIP**  
4m per piece. Use with rail 6112010. Aluminium. Anodised.



**6135010-000000**

**CLAMPING PLATE**  
With 4 x 4mm screw. Natural color.



**6134000-000023**

**CARRIER**  
Wheeled. Use with slim headrail. With screw. Plastic. Grey.



**6131110-000000**

**STOPPER**  
Use on rail. With screw. Plastic. Clear.



**6131220-000000**

**STOPPER**  
Use on headrail. With screw. Plastic. Clear.



**6133000-000000**

**WAND ADAPTER**  
Fit rail end. With screw. Plastic. Clear.



**6130000-003000**

**END CAP**  
For 3 way headrail. With 2 screws. Plastic. Clear. 4 way - 6130000-004000 6 way - 6130000-006000



**6132020-003007**

**BRACKET**  
Swivel lock. Wall and ceiling mount. For 3 way headrail. Steel. Zinc. 4 way and 6 way available.



**6120000-020001**

**HEADRAIL**  
32 x 16mm. For 20 & 25mm pleated and 25mm honeycomb. Plastic. For 25mm and customized colors available.



**6120000-038001**

**HEADRAIL**  
41 x 15.5mm. For 38mm pleated and honeycomb. Plastic. Customized colors available.



**6132000-000001**

**END CAP**  
Use with headrail 6120000-020001. Plastic. Customized colors available.



**6133000-000001**

**END CAP**  
Use with headrail 6120000-038001. Plastic. Customized colors available.



**6121000-000001**

**BRACKET**  
Wall and ceiling mount. Use with headrail 6120000-020001. Plastic. White.



**6122020-000007**

**BRACKET**  
Swivel lock. Wall and ceiling mount. Use with headrail 6120000-038001. Steel. Zinc.



**6170000-400001**

**BASE BAR**  
32 x 14mm. For 20 & 25mm pleated and 25mm honeycomb. Plastic. Customized colors available.



**6172000-400001**

**BASE BAR**  
42 x 12mm. For 38mm pleated and honeycomb. Plastic. Customized colors available.



**6171000-400001**

**BASE BAR INSERT**  
27 x 8.2mm. Use with base bar 6170000. Plastic.



**6173000-000001**

**END CAP**  
Use with base bar 6170000. Plastic. Customized colors available.



**6174000-000001**

**END CAP**  
Use with base bar 6172000. Plastic. Customized colors available.



**6175000-023001**

**HOLD DOWN STRIP**  
For 20 & 25mm pleated and 25mm honeycomb headrail and 23.5 x 0.7mm base bar. Plastic. Colors available.



**6175000-034001**

**HOLD DOWN STRIP**  
For 38mm pleated and honeycomb headrail and 34.5 x 0.8mm base bar. Plastic. Colors available.



**6131000-000001**

**CORD LOCK**  
Plastic Customized colors available.



**6176000-000000 / 100000**

**HANDLE**  
Plastic. Clear.



**1056000-010001**

**CORD**  
Non-stretch 1.0mm. White. Customized colors available.



**5010010-580001**

**HEADRAIL**  
Aluminium. White.



**5030023-000001**

**END CONTROL SET**  
With pulley for cord control. White.



**5020110-000007**

**BRACKET**  
Ceiling mount. Zinc.



**5020220-000001**

**BRACKET**  
Wall mount. Single track. White



**5020330-000001**

**BRACKET**  
Wall mount. Two track. White



**5020440-000001**

**BRACKET**  
Wall mount. Three track. White.



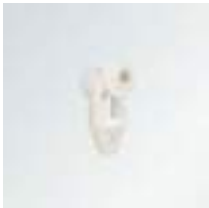
**5040010-000001**

**JOINT**  
Connect headrail 5010010. White.



**5037003-000001**

**MASTER CARRIER**  
With wheels. Pair left and right hand side. White.



**5034110-000001**

**CARRIER**  
With wheels. White.



**5034220-000001**

**CARRIER**  
With wheels and wire ring. White.



**1056000-025001**

**CORD**  
Non-stretch 2.5mm. White.  
Customized colors available.



**5310010-580001**

**HEADRAIL**  
Aluminium. White.



**5330022-000001**

**END CONTROL**  
With pulley for cord control. White.



**5330111-000001**

**END CAP**  
With pulley. Plastic. White.



**5330221-000001**

**END CAP**  
Plastic. White.



**5330331-000001**

**END CAP**  
With ripple snap carrier. Plastic. White.



**5320110-000001**

**BRACKET**  
Snap type. Ceiling mount. White.



**5320220-000001**

**BRACKET**  
Wall mount. Single track. White.  
Two track - 5320330-000001



**5337001-000001**

**MASTER CARRIER**  
With wheels. Left side. White.



**5337002-000001**

**MASTER CARRIER**  
With wheels. Right side. White.



**5337110-000001**

**MASTER CARRIER**  
With wheels For ripple tape. White.



**5434000-016000**

**BALL BEARING CARRIER**  
Small. 16mm.



**5434220-060001**

**RIPPLE CARRIER**  
Wheeled type. 500 carriers per roll.  
60mm spacing. Plastic. White.  
48mm, 54mm & 80mm spacing available.



**1056000-025001**

**CORD**  
Non-stretch 2.5mm. White.  
Customized colors available.



**5410330-580001**

**HEADRAIL**

Aluminium. White.



**5430663-000001**

**FLAT END CAP SET**

With carrier 5435330. For ripple snap tape.



**5420770-000001**

**BRACKET**

Snap type. Ceiling mount. White.



**5420990-000001**

**BRACKET**

Snap type. Ceiling mount. Use with headrail 5410220. White.



**5437442-000000**

**MASTER CARRIER**

Right side with 6 or 8 wheels. With adapter. White.



**5437552-000000**

**MASTER CARRIER**

Right side with 6 or 8 wheels. With 2 snaps and adapter. White.



**5434220-060001**

**RIPPLE CARRIER**

Wheeled type. 500 carriers per roll. 60mm spacing. Plastic. White. 48mm, 54mm & 80mm spacing available.



**5454110-011001**

**SNAP TAPE**

Nickel plated snap. 4 1/4" spacing. White tape. 7 1/2", 8 1/2", 10" and clear tape available.



**5430553-000001**

**FLAT END CAP SET**

With carrier 5435110.



**5420550-000001**

**BRACKET**

Snap type. Wall mount. Single track. Use with headrail 5410220. White.



**5420880-000001**

**BRACKET**

Ceiling mount. White.



**5437441-000000**

**MASTER CARRIER**

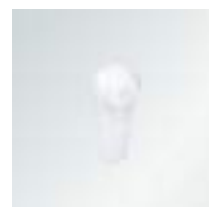
Left side with 6 or 8 wheels. With adapter. White.



**5437551-000000**

**MASTER CARRIER**

Left side with 6 or 8 wheels. With 2 snaps and adapter. White.



**5434000-016000**

**BALL BEARING CARRIER**

Small. 16mm.



**5434550-060001**

**RIPPLE CARRIER**

Friction type for hook. 500 carriers per roll. 60mm spacing. Plastic. White.



**1056000-022001**

**CORD**

Non-stretch 2.2mm. White. Customized colors available.



**5410110-580001**

**HEADRAIL**  
Aluminium. White.



**5410220-580001**

**HEADRAIL**  
Aluminium. White.



**5430110-000001**

**END CAP**  
With friction type carrier. Plastic. White.



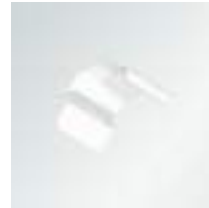
**5420110-000001**

**BRACKET**  
Ceiling mount. Use with headrail 5410110. White.



**5420220-000001**

**BRACKET**  
Wall mount. Single track. Use with headrail 5410110. White.



**5420770-000001**

**BRACKET**  
Snap type. Ceiling mount. White.



**5420990-000001**

**BRACKET**  
Snap type. Ceiling mount. Use with headrail 5410220. White.



**5420550-000001**

**BRACKET**  
Snap type. Wall mount. Single track. Use with headrail 5410220. White.



**5537003-000001**

**SILENT MASTER CARRIER**  
For left or right hand side. White.



**5534030-000001**

**SILENT CARRIER**  
Metal ring. White.



**5458000-060001**

**CORD WITH SNAP**  
60mm spacing. Plastic. White. 48mm, 54mm & 80mm spacing available.



**5534033-000001**

**SILENT CARRIER SET**  
With Silent Carrier and Silent Master Carrier.



**5410110-580001**

**HEADRAIL**  
Aluminium. White.



**5410220-580001**

**HEADRAIL**  
Aluminium. White.



**5430441-000001**

**END SNAP RETURN**  
Left side. Plastic. White.



**5430442-000001**

**END SNAP RETURN**  
Right side. Plastic. White.



**5430331-000000**

**RETURN EXTENDER PLATE**  
Left side. With screw.



**5430332-000000**

**RETURN EXTENDER PLATE**  
Right side With screw.



**5430110-000001**

**END CAP**  
With friction type carrier. Plastic. White.



**5430220-000001**

**END CAP**  
With ripple snap carrier. Plastic. White.



**5430220-000007**

**STOPPER**  
Basic. With screw and nut. Steel. Zinc.



**5430110-000005**

**STOPPER**  
With screw. Steel. Plated.



**5420110-000001**

**BRACKET**  
Ceiling mount. Use with headrail 5410110. White.



**5420220-000001**

**BRACKET**  
Wall mount. Single track. Use with headrail 5410110. White.



**5420330-050001**

**BRACKET**  
Wall mount. Double track. Use with headrail 5410110. 5". White. 6" - 5420330-060001



**5420440-000001**

**BRACKET**  
Snap type. Ceiling mount. Use with headrail 5410220. White.



**5420550-000001**

**BRACKET**  
Snap type. Wall mount. Single track. Use with headrail 5410220. White.

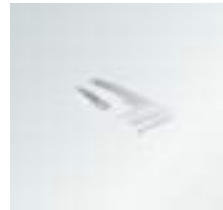


**5420660-050001**

**BRACKET**  
Snap type. Wall mount. Double track. Use with headrail 5410220. 5". White. 6" - 5420660-060001



**5420770-000001**  
**BRACKET**  
 Snap type. Ceiling mount. White.



**5420880-000001**  
**BRACKET**  
 Ceiling mount. White.



**5420990-000001**  
**BRACKET**  
 Snap type. Ceiling mount. White.



**5440010-000001**  
**RAIL SPLICE**  
 For headrail 5410110. Aluminium.



**5437001-000000**  
**MASTER CARRIER**  
 Left side glider.



**5437002-000000**  
**MASTER CARRIER**  
 Right side glider.



**5437111-000000**  
**MASTER CARRIER**  
 Left side with 6 wheels. With 2 snaps and adapter. White.



**5437112-000000**  
**MASTER CARRIER**  
 Right side with 6 wheels. With 2 snaps and adapter. White.



**5437221-000000**  
**MASTER CARRIER**  
 Left side with 6 or 8 wheels. Tapped for shoulder screw. White.



**5437222-000000**  
**MASTER CARRIER**  
 Right side with 6 or 8 wheels. White.



**5437331-000000**  
**MASTER CARRIER**  
 Left side with 6 or 8 wheels. White.



**5437332-000000**  
**MASTER CARRIER**  
 Right side with 6 or 8 wheels. White.



**5439001-000000**  
**ADAPTER**  
 Left side. With screw. For snap tape on master carrier 5437221, 5437331. Plastic.



**5439002-000000**  
**ADAPTER**  
 Right side. With screw. For snap tape on master carrier 5437222, 5437332. Plastic.



**5434000-016000**  
**BALL BEARING CARRIER**  
 Small. 16mm.



**5434000-020000**  
**BALL BEARING CARRIER**  
 Medium. 20mm.



**5434000-025000**

**BALL BEARING CARRIER**  
Large. 25mm



**5435220-000001**

**CARRIER**  
Friction type. For ripple snap tape.  
Plastic. Natural color.



**5434330-000001**

**CARRIER**  
Friction type. With stainless steel  
hook. Plastic. Natural color.



**5434220-060001**

**RIPPLE CARRIER**  
Wheeled type. 500 carriers per roll.  
60mm spacing. Plastic. White.  
48mm, 54mm & 80mm spacing  
available.



**5434660-060001**

**RIPPLE CARRIER**  
Wheeled type for hook. 500 carriers  
per roll. 60mm spacing. Plastic.  
White.



**5435550-000001**

**PENDANT**  
Double. For mushroom head ripple  
tape. White. Use with snap tape  
5454220.



**5452220-000000**

**STIFFENER**  
With eyelet.



**5431001-000007**

**SCREW**  
Use with baton adapter 5431000.



**5435110-000000**

**CARRIER**  
Friction type. Plastic. Natural color.



**5435330-000001**

**CARRIER**  
Snap tape pendant for wheeled  
type ripple carrier. Plastic. Natural  
color.



**5434110-060001**

**RIPPLE CARRIER**  
Friction type. 1000 carriers per roll.  
60mm spacing. Plastic. White.  
48mm, 54mm & 66mm available.



**5434550-060001**

**RIPPLE CARRIER**  
Friction type for hook. 500 carriers  
per roll. 60mm spacing. Plastic.  
White.



**5435440-000001**

**PENDANT**  
Single. For mushroom head ripple  
tape. White. Use with snap tape  
5454220.



**5452110-000000**

**STIFFENER**  
Small. With eyelet.



**5431000-000000**

**BATON ADAPTER**  
Plastic. Clear.



**5454110-011001**

**SNAP TAPE**  
Nickel plated snap. 4 1/4" spacing.  
White tape. 7 1/2", 8 1/2", 10" and  
clear tape available.



**5454220-107001**

**SNAP TAPE**

Plated mushroom head snap. 30 x 107mm. White tape. Use with pendant 5435440, 5435550. 125 & 145mm available.



**5458000-060001**

**CORD WITH SNAP**

60mm spacing. Plastic. White. 48mm, 54mm & 80mm spacing available.



**5610010-580001**

**HEADRAIL**

Aluminium. White.



**5630003-000001**

**END CAP**

Pair left and right hand side. Fit headrail 5610010. Plastic. White.



**5620000-000001**

**BRACKET**

Ceiling mount. Use with headrail 5610010. Plastic. White.



**5620110-000001**

**BRACKET**

Wall mount. Single track. Use with headrail 5610010. White.



**5620220-000001**

**BRACKET**

Wall mount. Double track. Use with headrail 5610010. 115mm. White.



**5620330-000001**

**BRACKET**

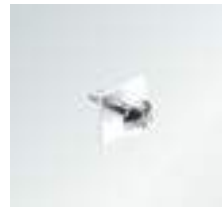
Wall mount. Double track. Use with headrail 5610010. 160mm. White.



**5620003-000001**

**BRACKET COVER**

Plastic. White.



**5630020-000007**

**STOPPER**

Basic. With screw and nut. Steel. Zinc.



**5630113-000001**

**HEADRAIL CORNER**

Join headrail to make corner return. Plastic. White.



**5634000-000001**

**CARRIER**

Friction type for hook. Snap fit to headrail 5610010. Plastic. White.



**5634110-000001**

**RIPPLE CARRIER**

Friction type for hook. 500 carriers per roll. 60mm spacing. Plastic. White.



**5110010-580001**

**HEADRAIL**  
Bendable by hand. Aluminium. White.



**5130003-000001**

**END CONTROL SET**  
With pulley for cord control. White.



**5130000-000001**

**END CAP**  
Use with cordless track. White.



**5137003-000001**

**MASTER CARRIER**  
With wheels. Pair left and right hand side. White.



**5134110-000001**

**CARRIER**  
With wheels. White.



**5134220-000001**

**CARRIER**  
With wheels. White. Available to connect with ball chain as ripple carrier.



**5134330-000001**

**CARRIER**  
With wheels. Metal ring. White.



**5120110-000007**

**BRACKET**  
Ceiling mount. Zinc.



**5120220-000001**

**BRACKET**  
Wall mount. Single track. White.



**5120330-000001**

**BRACKET**  
Wall mount. Two track. White.



**5120440-000001**

**BRACKET**  
Wall mount. Three track. White.



**5140010-000001**

**JOINT**  
Connect rail 5110010. White.



**1056000-025001**

**CORD**  
Non-stretch 2.5mm. White. Customized colors available.



**9019000-250001**

**BALL CHAIN**  
3.2mm (#6) x 8mm. 500m reel. Plastic. White. Customized colors available.



**5210010-580001**

**HEADRAIL**

Bendable by machine. Aluminium. White.



**5210010-045001**

**HEADRAIL**

Curved, 90° bend. 45 x 45cm. Aluminium. White. 90cm available.



**5230000-000001**

**END CAP**

Plastic. White.



**5220020-000001**

**BRACKET**

Wall mount. Fit headrail end. White.



**5234110-000001**

**CARRIER**

With wheels. White.



**5234220-000001**

**CARRIER**

With wheels. Metal hook. White.



**5240010-035001**

**CEILING STAY**

For hanging headrail. Adjustable, 35cm length. White. 55 & 75cm available.



**5220110-000001**

**RAIL HANGER**

Slide on headrail. Use with ceiling stay 5240010. Aluminium. White.



**5220220-000001**

**RAIL HANGER**

Long splice joins headrail. Use with ceiling stay 5240010. Aluminium. White.



**5220330-000001**

**JOINT**

Long splice joins headrail. Wall mount. Aluminium. White.



**5220440-000001**

**JOINT**

Splice joins two parallel rails. Aluminium. White.



**5510010-580001**

**HEADRAIL**

Bendable by machine. Aluminium.



**5530010-000000**

**END CAP**

Aluminium. Mill finish.



**5530110-000000**

**KNOCK OUT**

Aluminium. Mill finish.



**5540020-000007**

**TRACK SPLICE**

Steel. Zinc.



**5534010-000001**

**CARRIER**

With wheels. Metal hook. White.



**5534020-000001**

**LOCARRIER**

Turn lock with wheels. Metal hook. White.



**6080110-100001**

**WAND**  
9.5mm with snap hook. Fiberglass. White.



**6080010-100001**

**WAND**  
9.5mm with snap hook and handle. Aluminium. White.



**6080220-100001**

**WAND**  
With snap hook and handle. PVC coated metal. White.



**6080120-100000**

**WAND**  
With snap hook. 12mm diameter. 1m per piece. Acrylic. Clear. 9mm diameter - 6080090-100001



**6081180-120000**

**WAND**  
With snap hook. 18mm diameter hex. 48" length per piece. Acrylic. Clear.



**6082120-150000**

**WAND**  
With baton adapter. 12mm diameter. 60" length per piece. Acrylic. Clear.



**6083120-120000**

**WAND WITH LOOP**  
12mm diameter with snap hook. 4" easy-grip loop. 48" length per piece. Acrylic. Clear. 60" available.



**6083121-120000**

**WAND WITH LOOP**  
12mm diameter with adapter. 4" easy-grip loop. 48" length per piece. Acrylic. Clear. 60" available.



**5060000-000001**

**TENSION PULLEY**  
Plastic. White.



**5060020-000001**

**TENSION PULLEY**  
Metal. White and zinc.



**5060090-000001**

**TENSION PULLEY**  
Available for connector to go through. PVC and metal. White.



**5051020-028005**

**CURTAIN HOOK**  
Steel. Nickel.



**5052020-015007**

**CURTAIN HOOK**  
1.5mm diameter. 25mm length. Steel. Zinc. 1.7mm diameter, 34mm length - 5052020-017007



**5052020-015020**

**CURTAIN HOOK**  
1.5mm diameter. 25mm length. Stainless steel.



**5052000-070001**

**CURTAIN HOOK**  
Adjustable, 70mm length. Plastic. Natural color.



**5052000-080001**

**CURTAIN HOOK**  
Adjustable, 80mm length. Plastic. White. 90mm - 5052000-090001



**5052040-053007**  
**FOUR FORK SHORT HOOK**  
 1.7mm diameter. Steel. Zinc plated.



**5052040-153007**  
**FOUR FORK HIGH HOOK**  
 1.7mm diameter. Steel. Zinc plated.



**5052040-053207**  
**DOUBLE SHORT HOOK**  
 1.7mm diameter. Steel. Zinc plated.



**5052040-153207**  
**DOUBLE HIGH HOOK**  
 1.7mm diameter. Steel. Zinc plated.



**5052040-053107**  
**SINGLE SHORT HOOK**  
 1.7mm diameter. Steel. Zinc plated.



**5052040-153107**  
**SINGLE HIGH HOOK**  
 1.7mm diameter. Steel. Zinc plated.



**5052000-033001**  
**CURTAIN HOOK**  
 33mm. Moulded plastic. Natural color.



**5052050-250002**  
**CURTAIN RING**  
 4mm x 25mm ID. With Wire Loop. Steel. Black.



**5010000-075000**  
**LINING TAPE**  
 For curtain. 75mm clear mesh. Pocket for hook-in with hook 5051020-028005.



**5010000-084000**  
**LINING TAPE**  
 For curtain. 84mm clear mesh.



**5010000-077001**  
**LINING TAPE**  
 For curtain. 77mm woven. White.



**5070020-050001**  
**HEM TAPE - WEIGHTED**  
 50g per meter. 100m per roll. White.



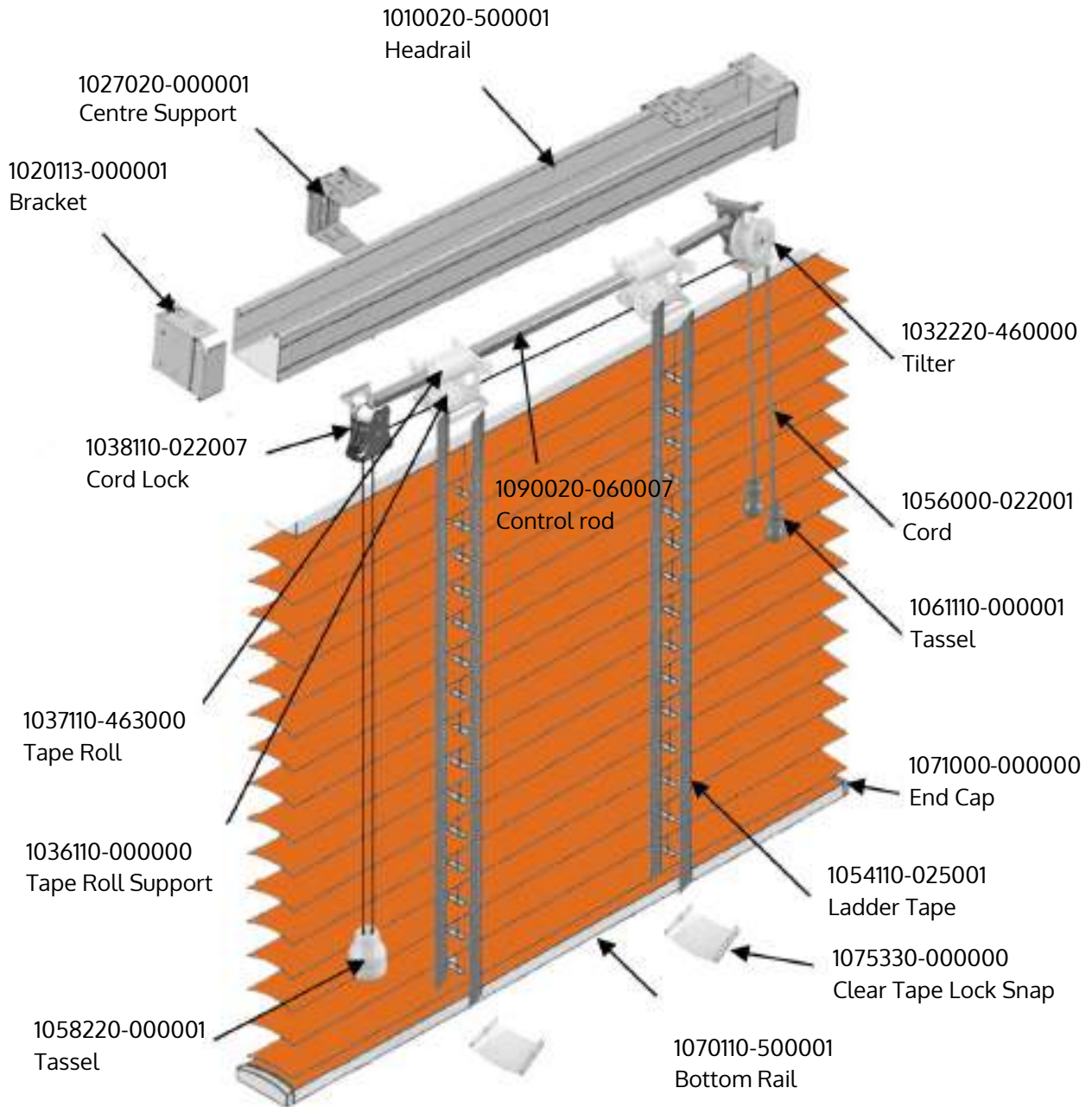
**5071094-045000**  
**LEAD BLOCK - WEIGHTED**  
 45g. 94 x 10 x 5 mm. Mill finish. White - 5071094-045001

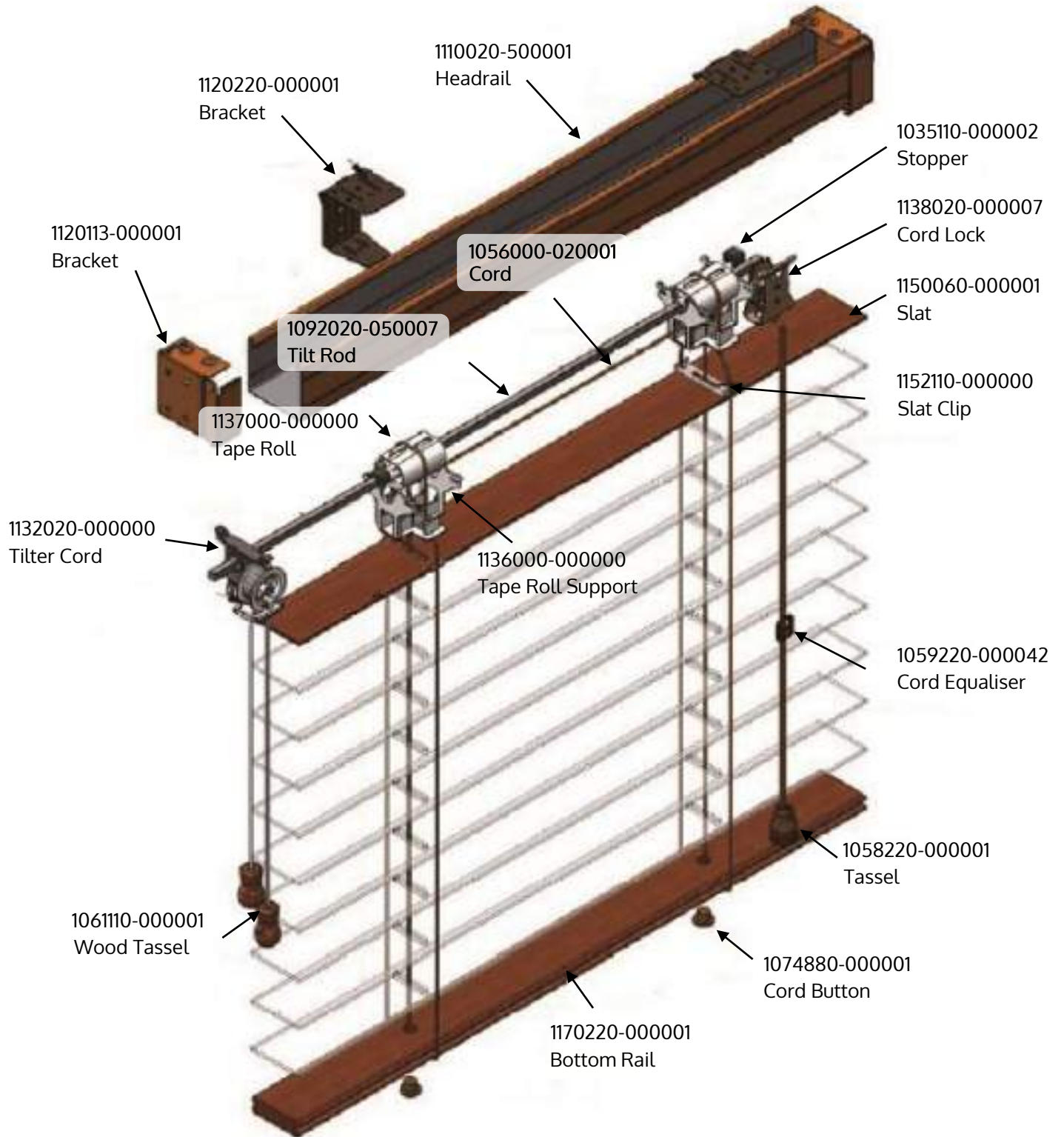


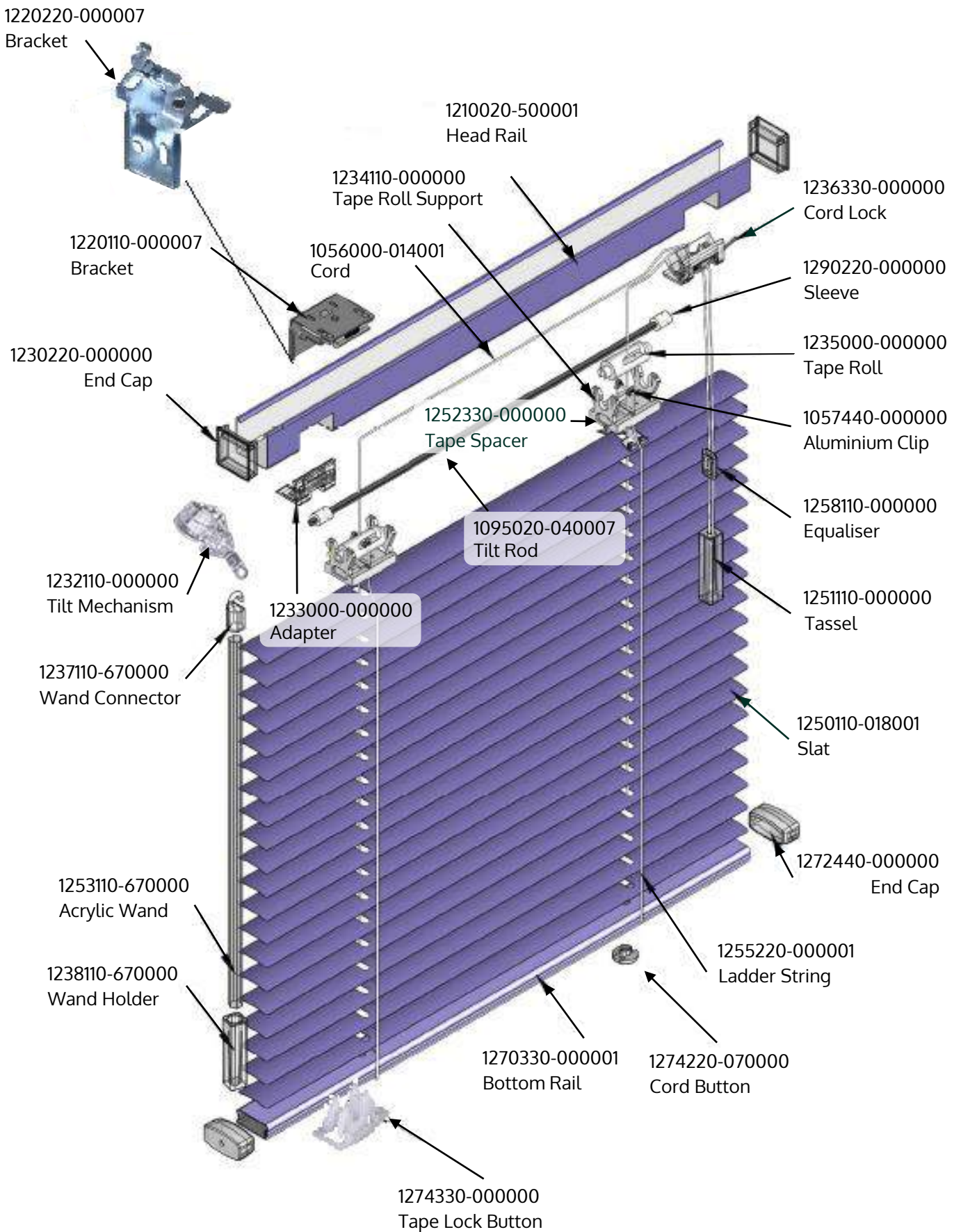
**3230020-040xxx**  
**EYELET**  
 2 pieces. 40mm ID, 60mm OD. Steel. Sizes and nickel, satin nickel, antique brass, satin brass, black available.

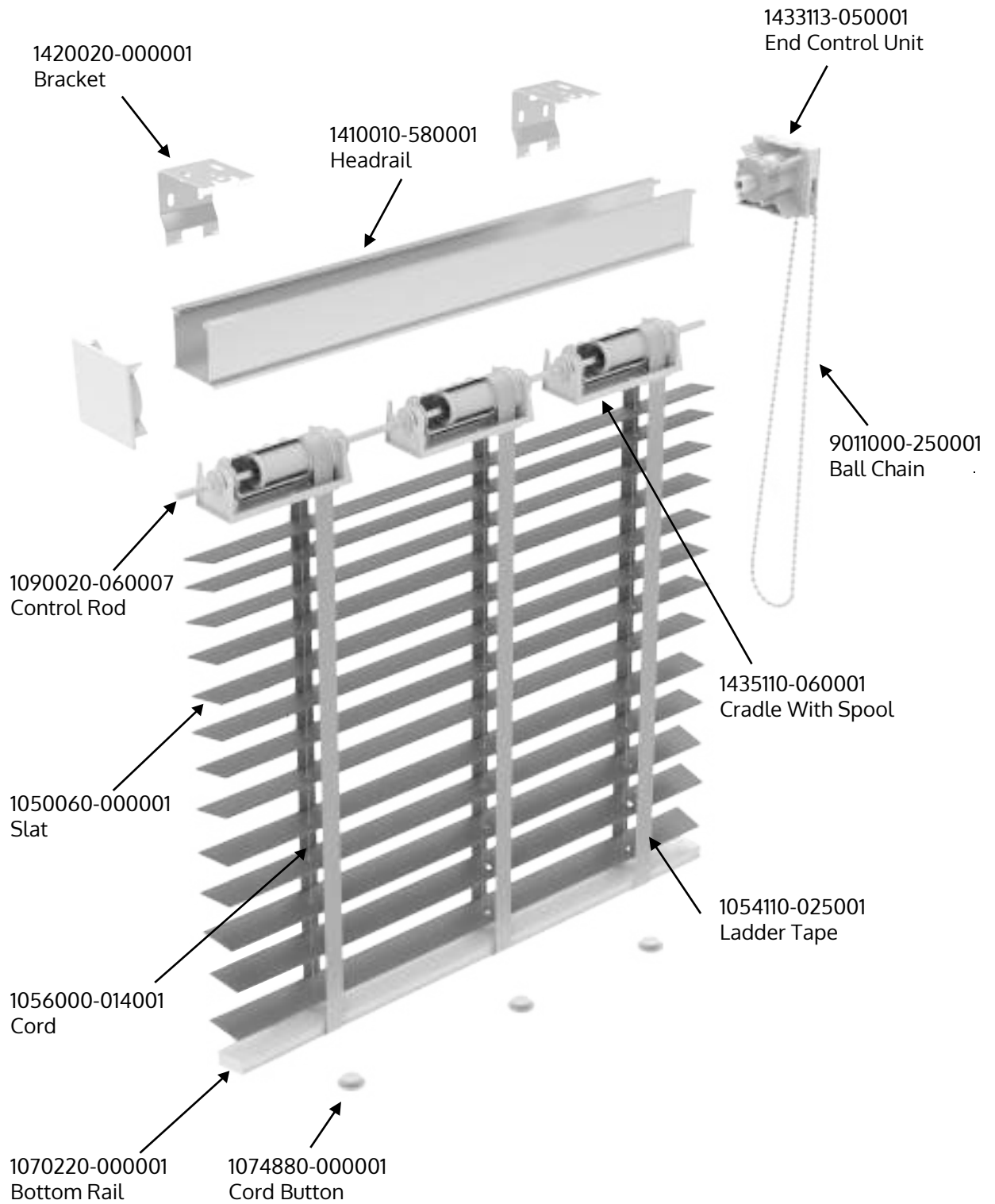


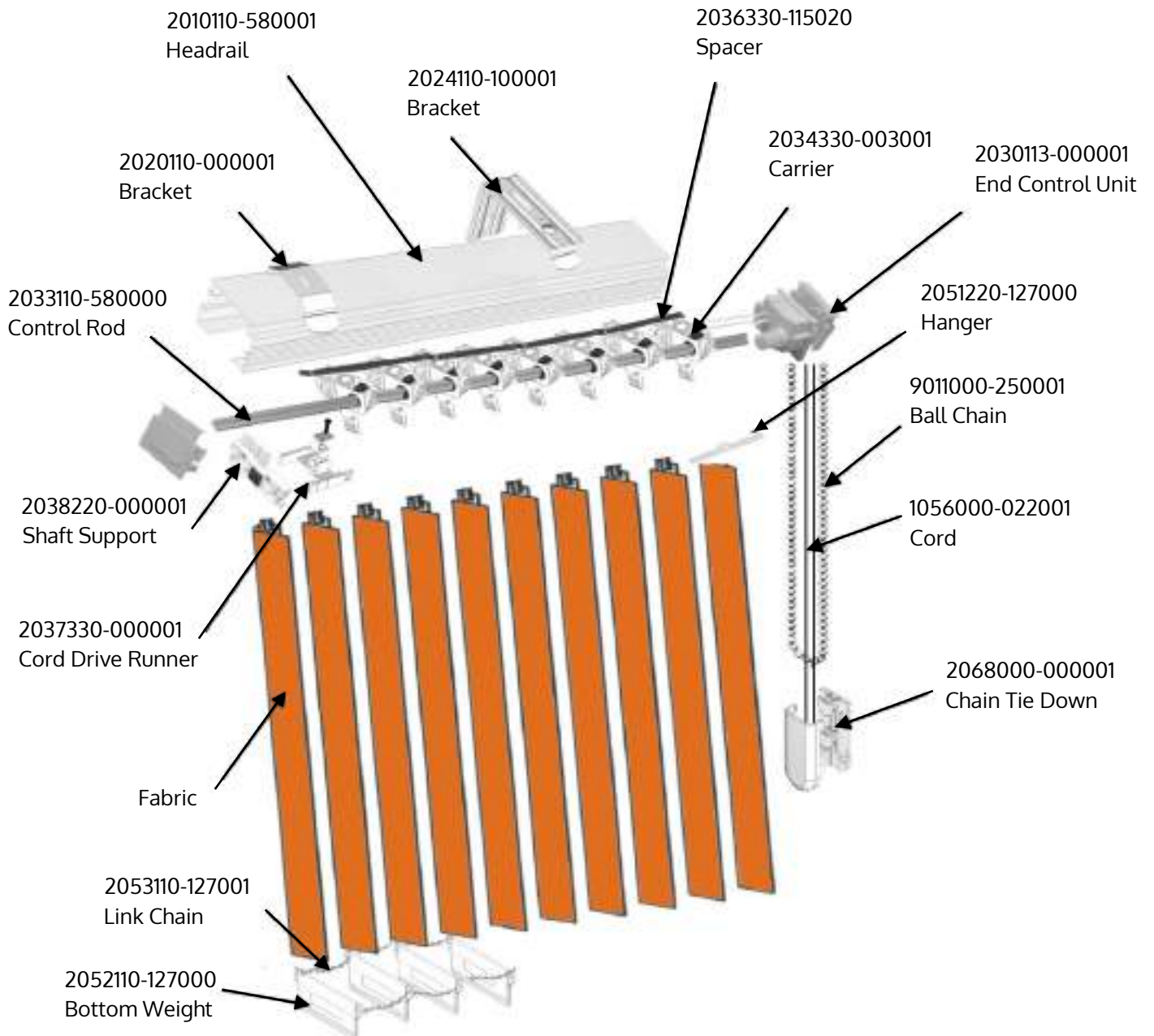
**5620020-000001**  
**L BRACKET**  
 For somfy curtain track. White.

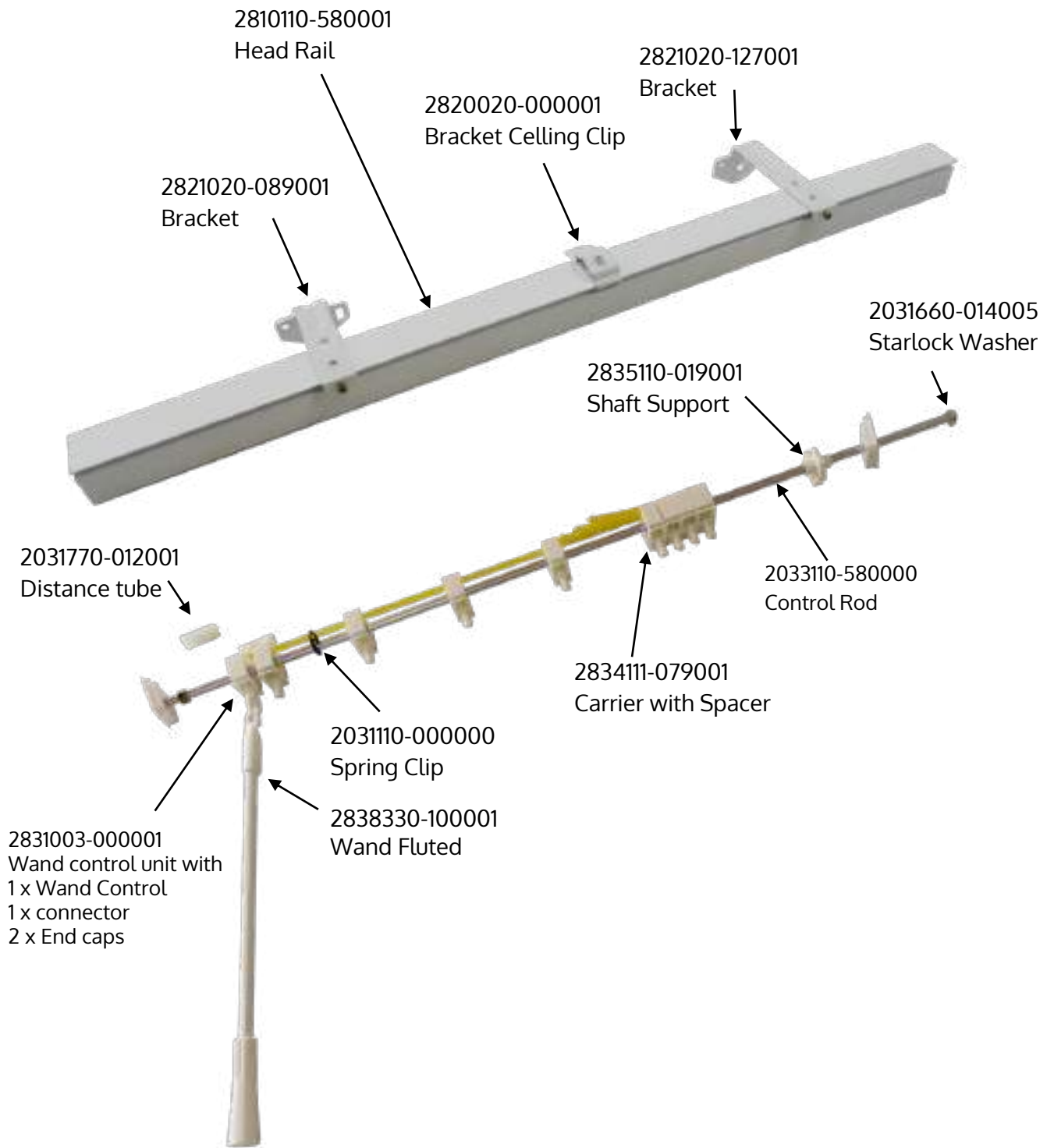


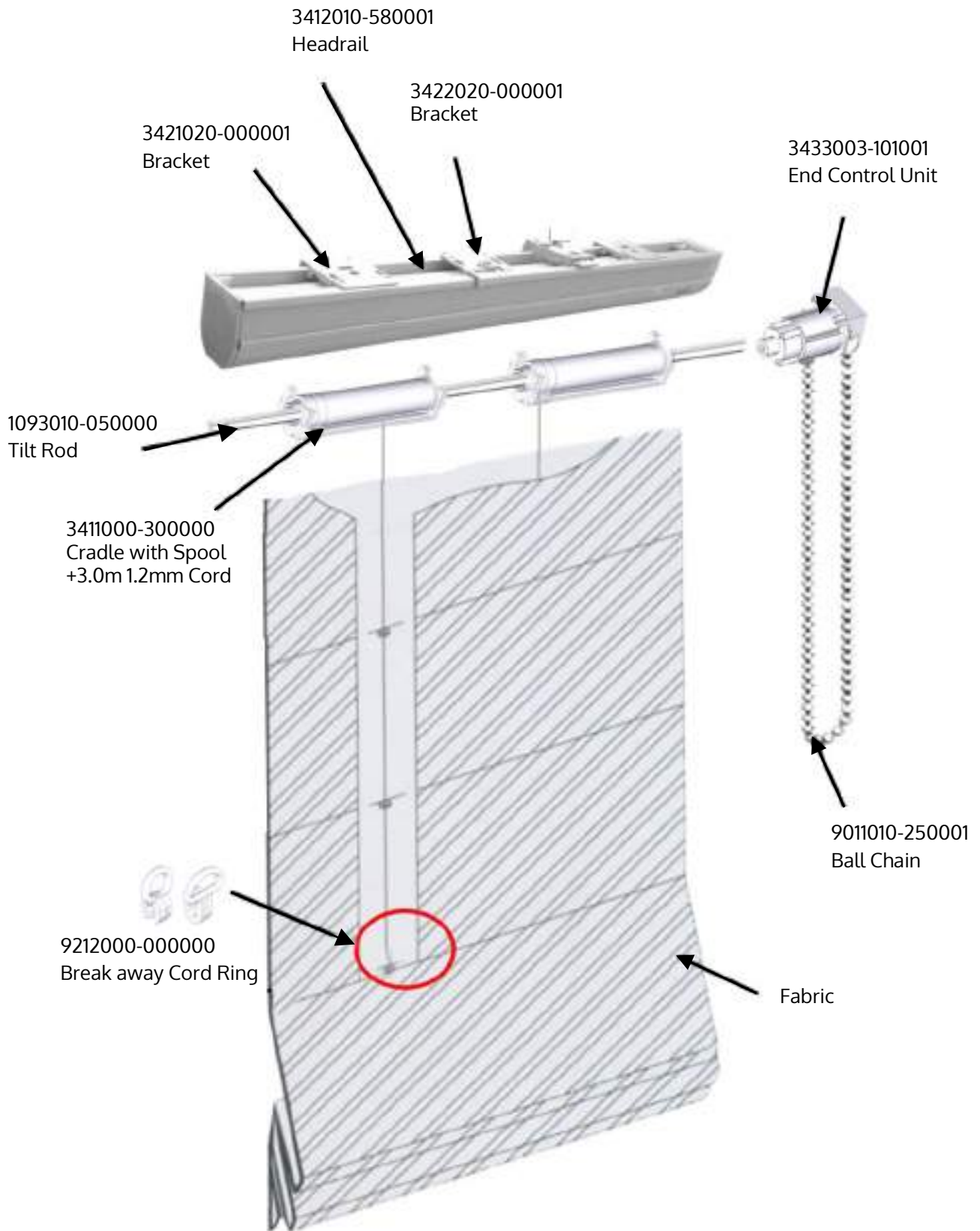


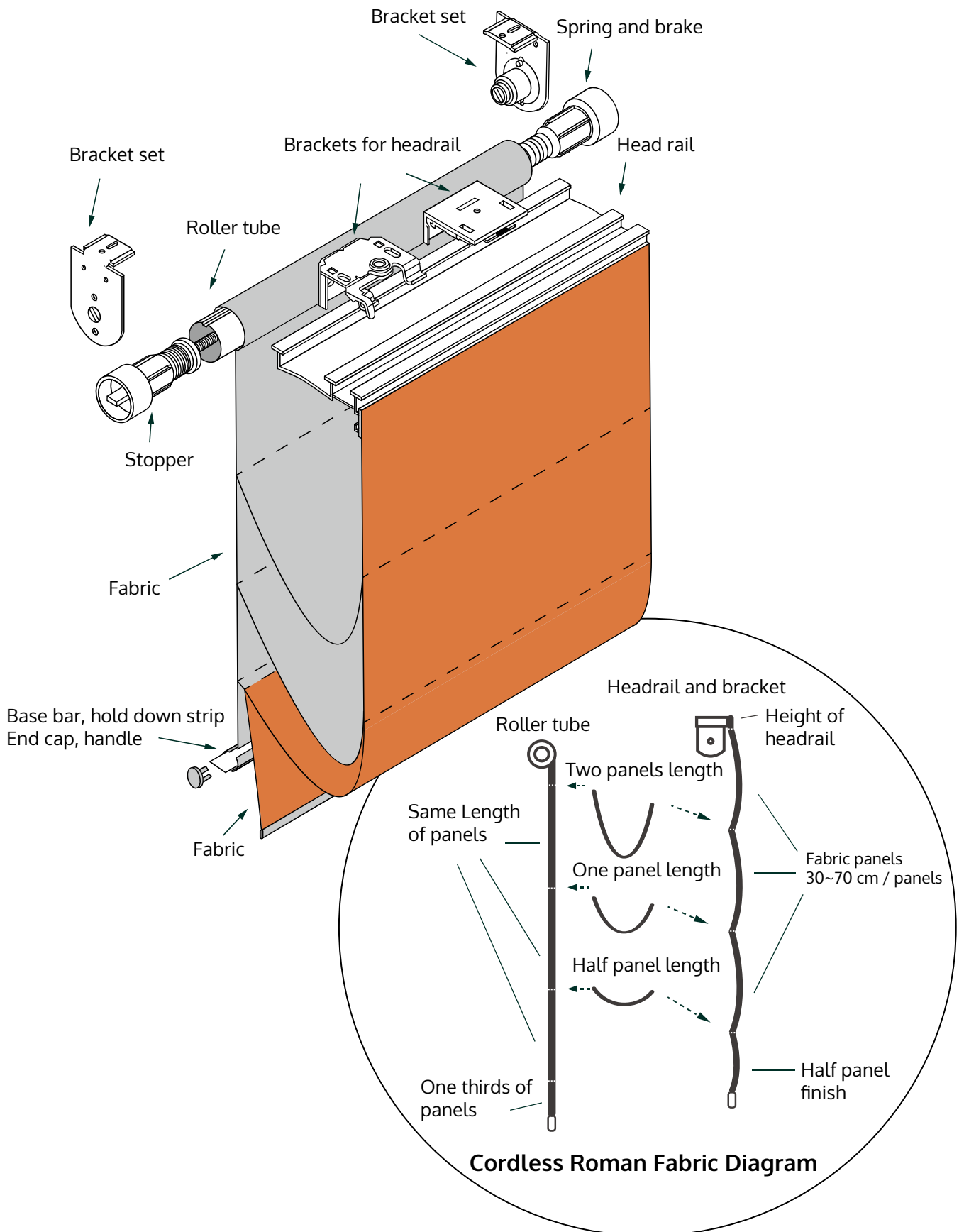


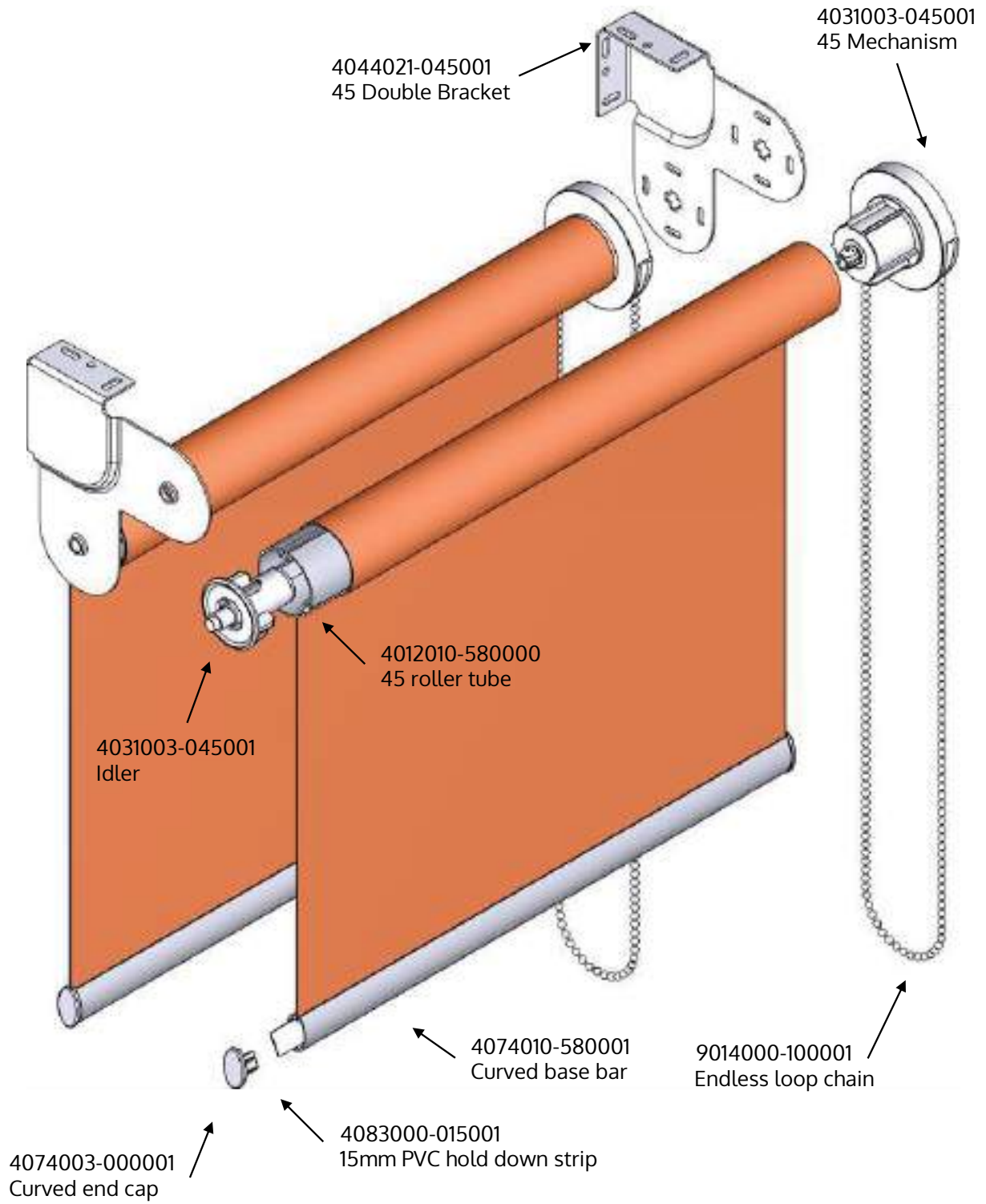


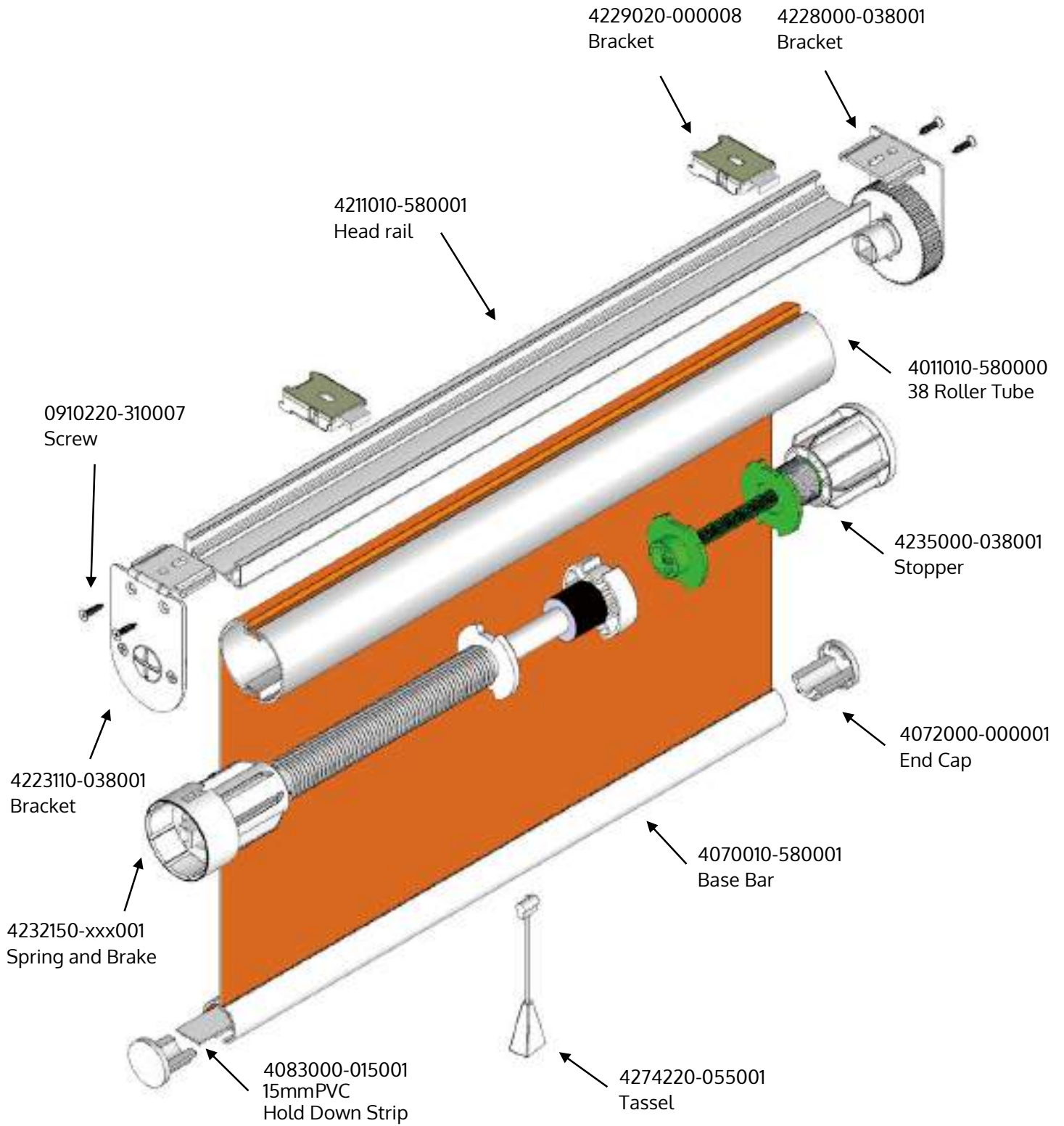


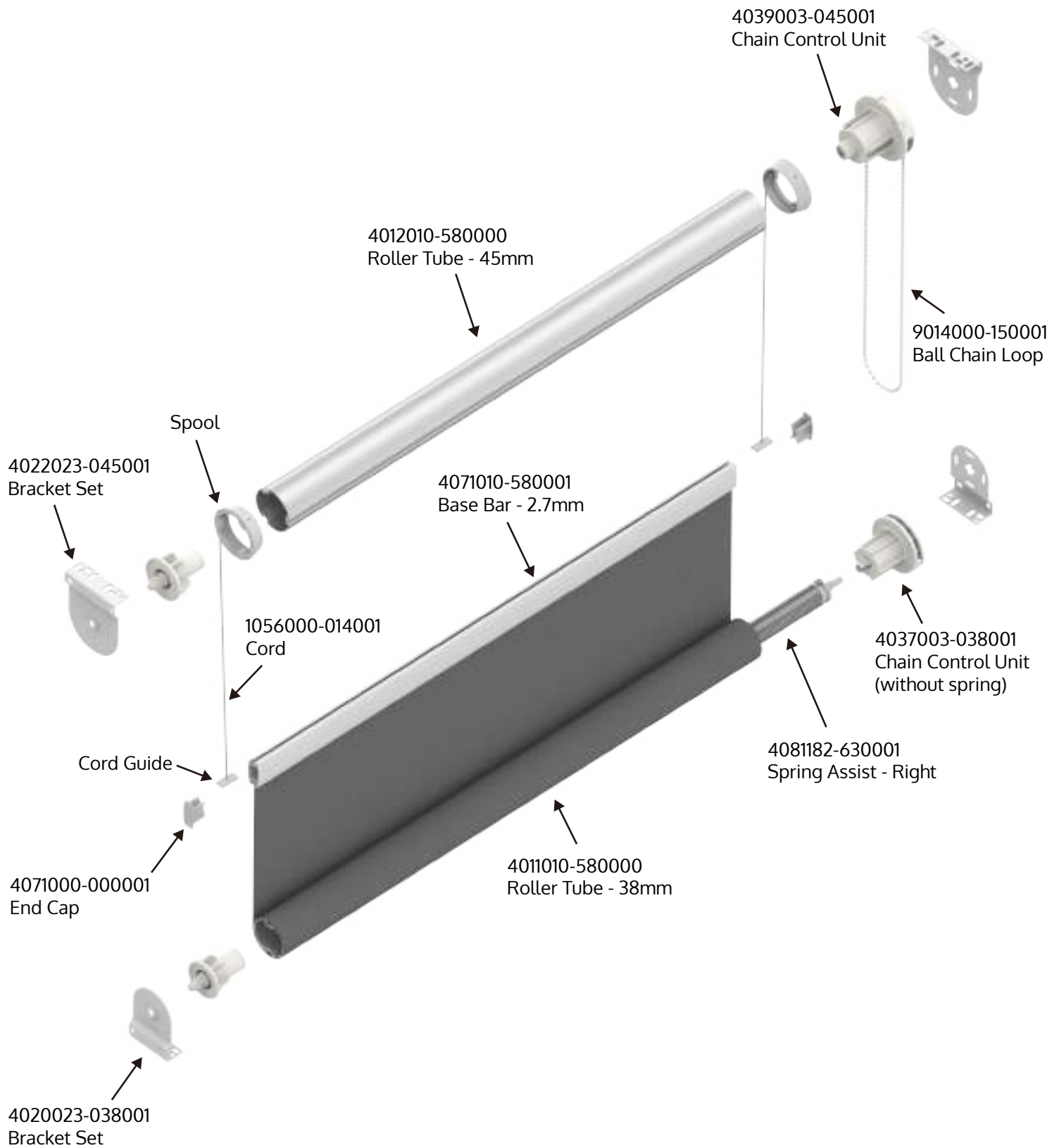


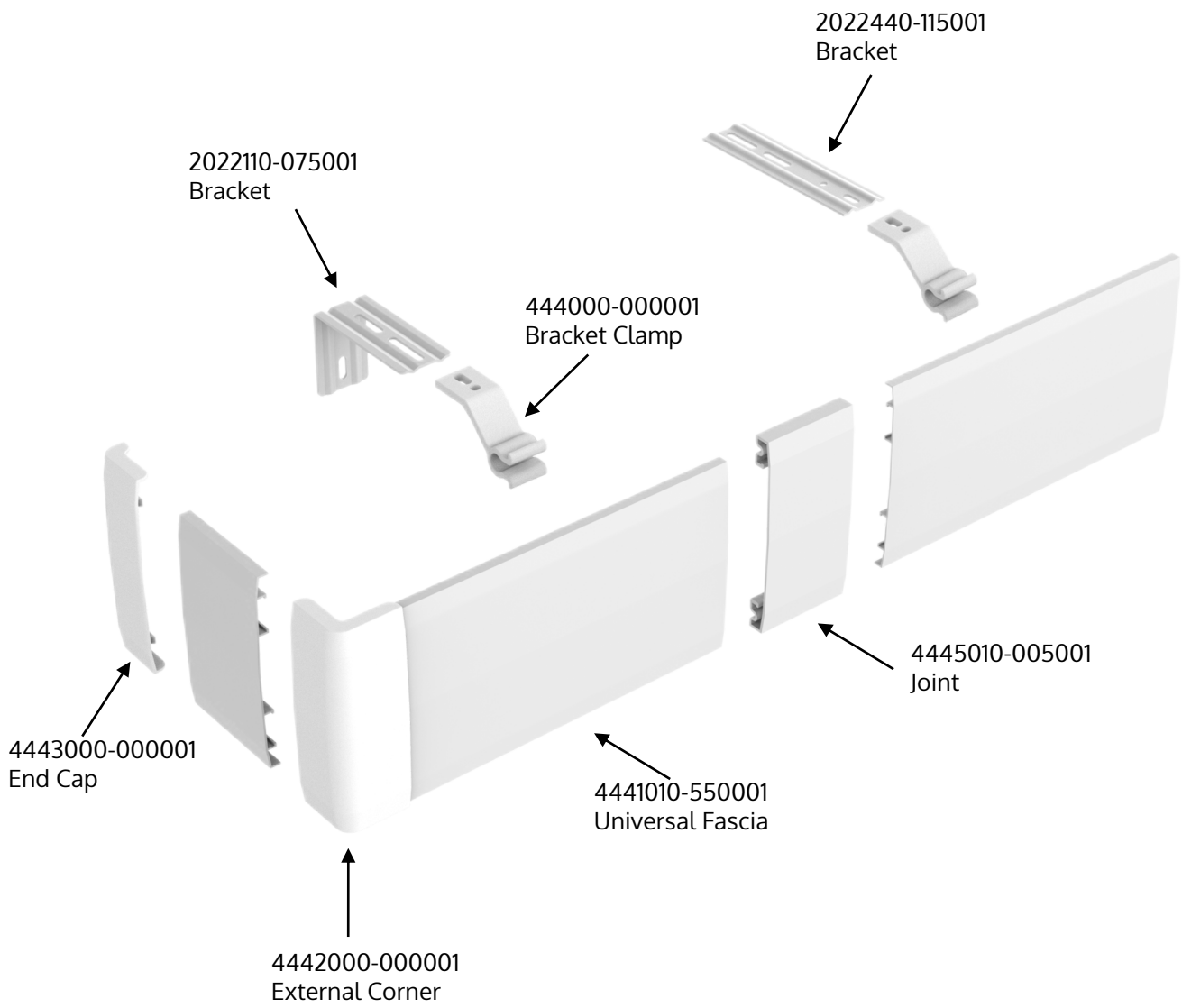












## Cassette 4111010 system head rail

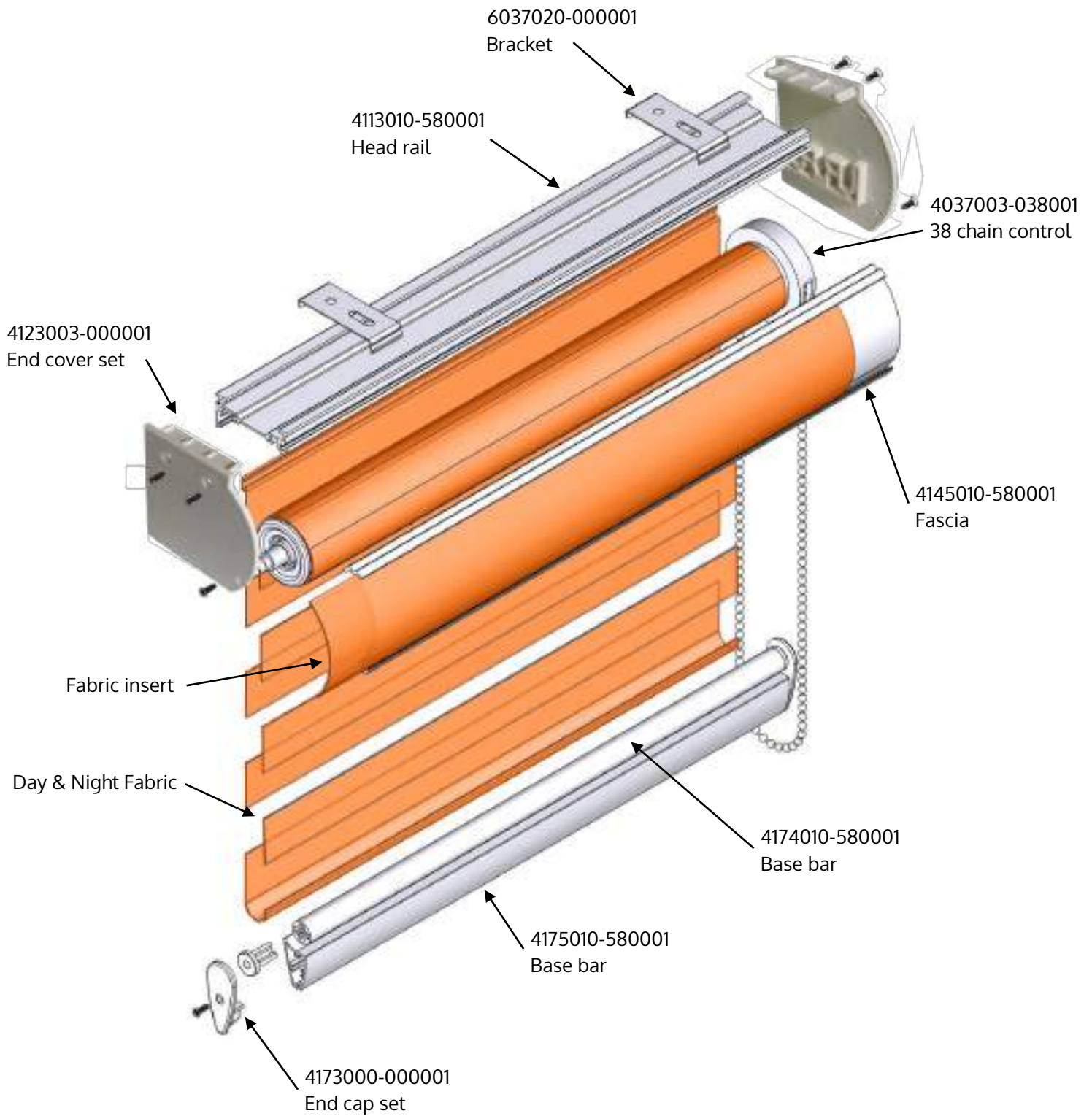
1. Two extrusions—head rail and front fascia
2. Blind can be installed after the cassette box is fixed
3. Day and night fabric compatible
4. Blind removable

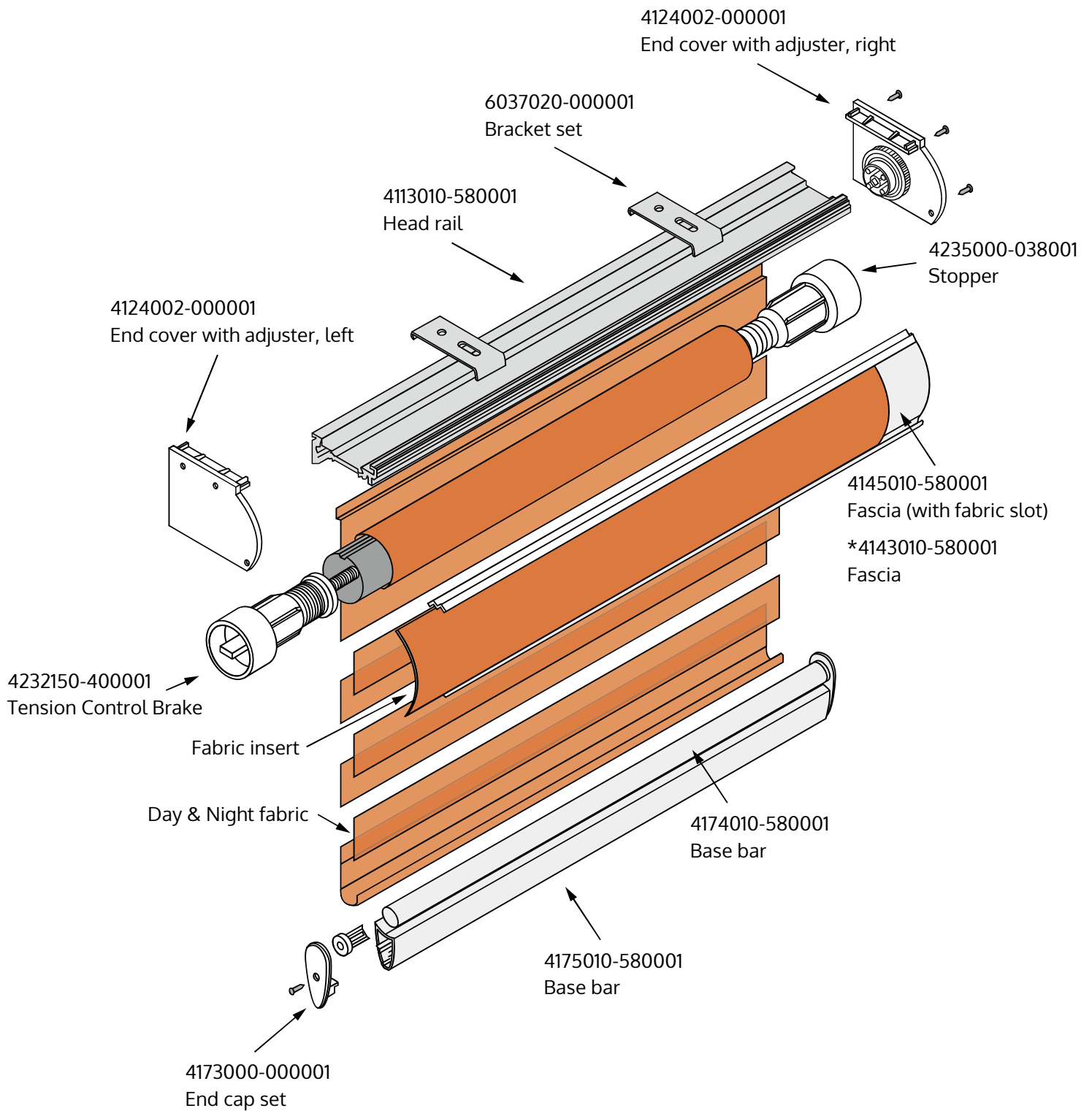


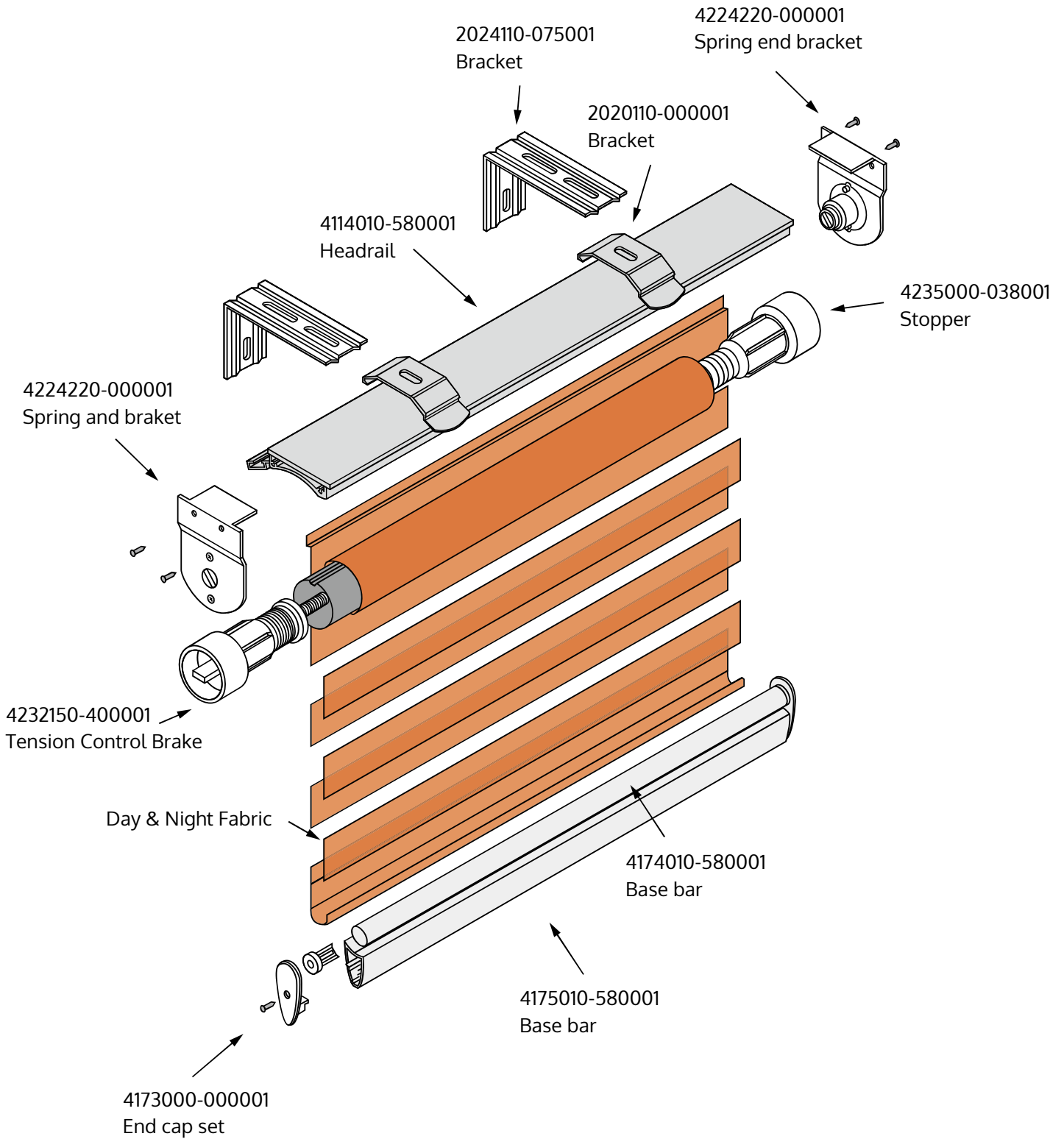
## Cassette 4115010 system head rail

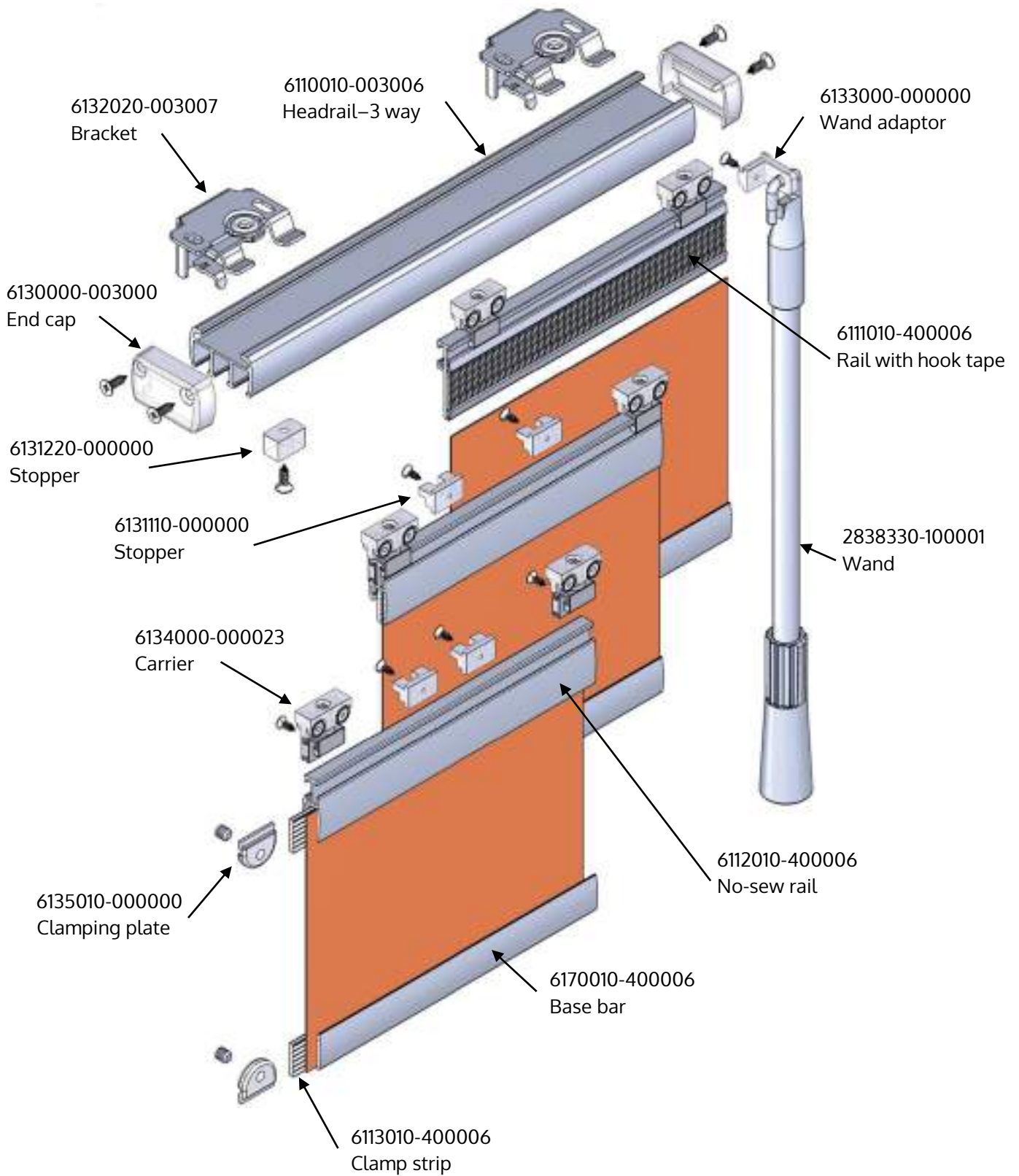
1. One piece rail to save stock
2. Insert-type clutch to reduce the gaps
3. Day and night fabric compatible
4. Front slot for fabric
5. Insert type End cover set replaced extra bracket to reduce stock

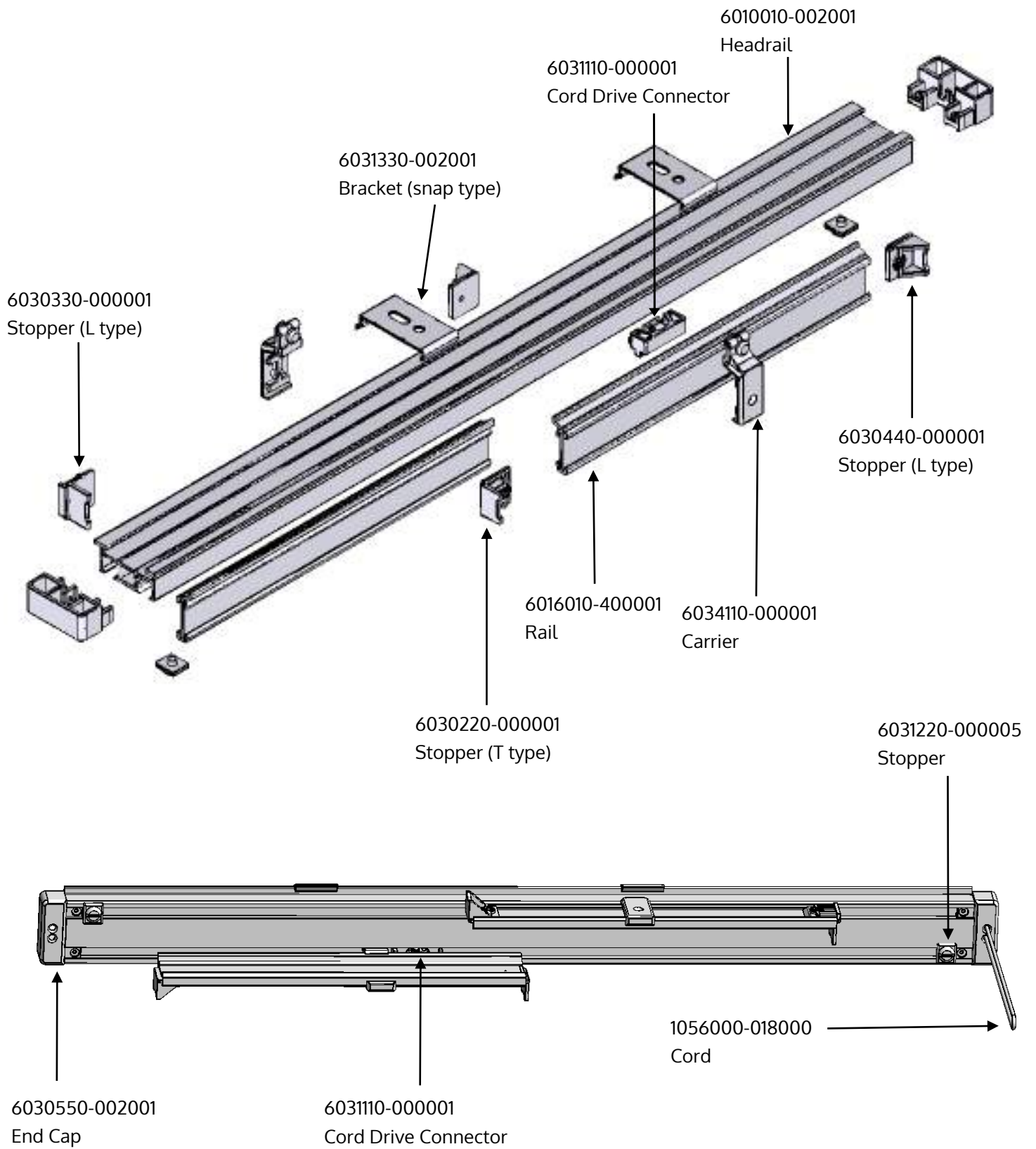


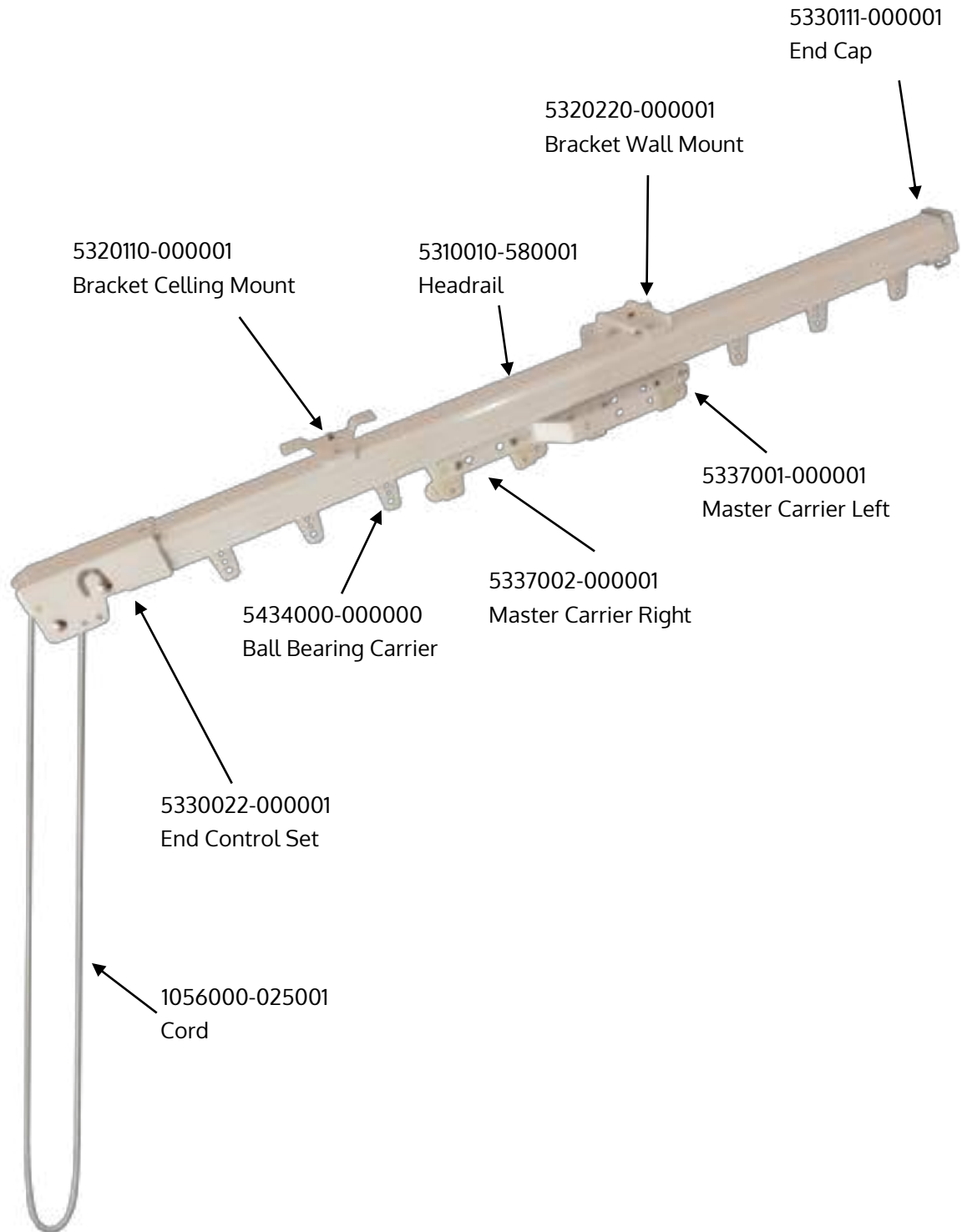


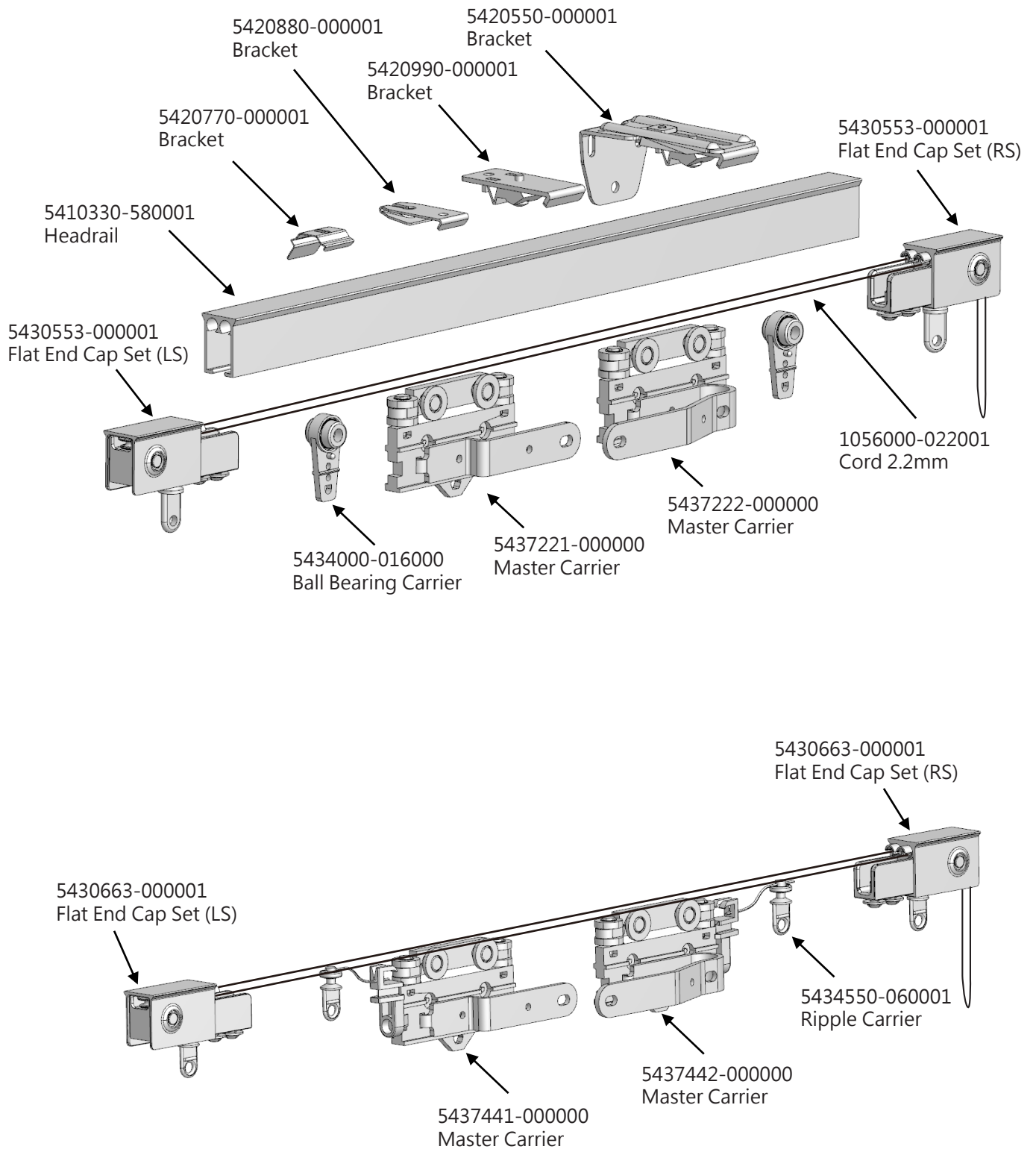


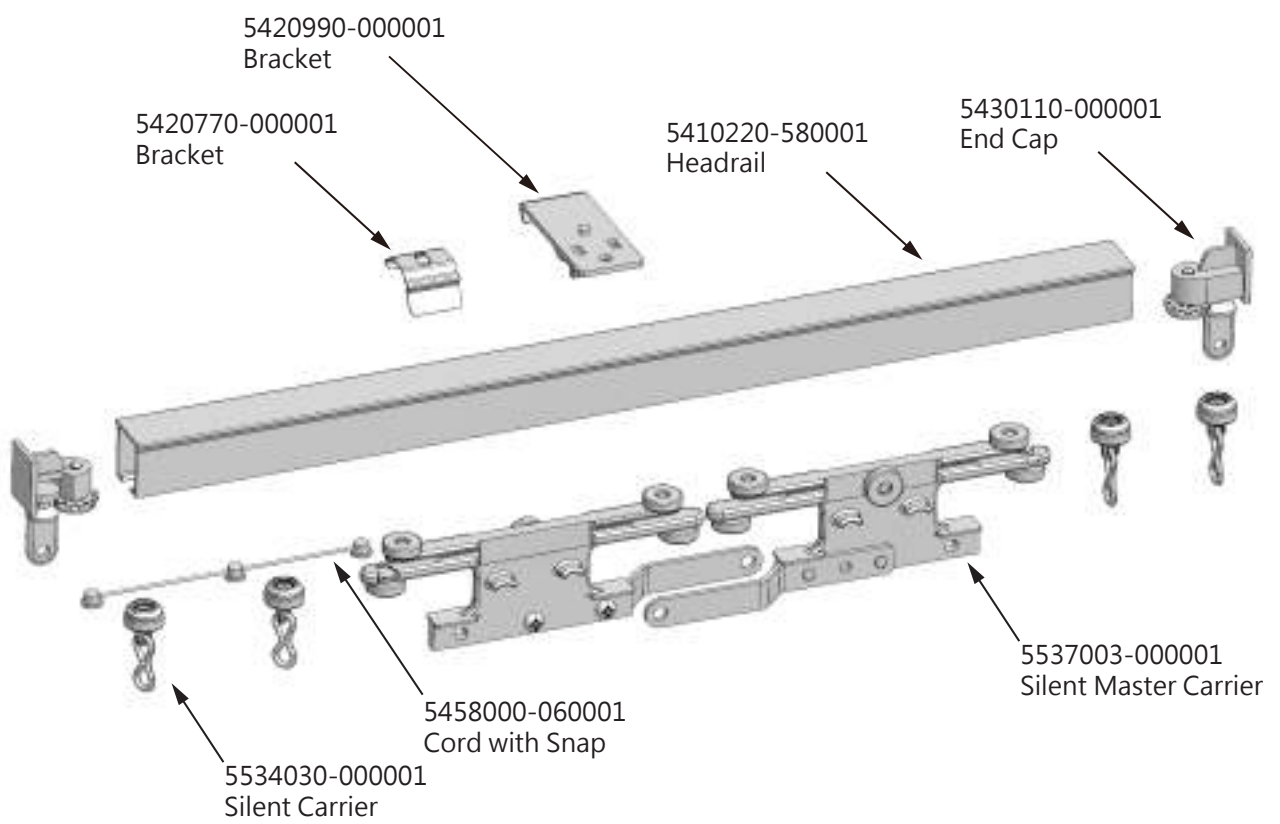


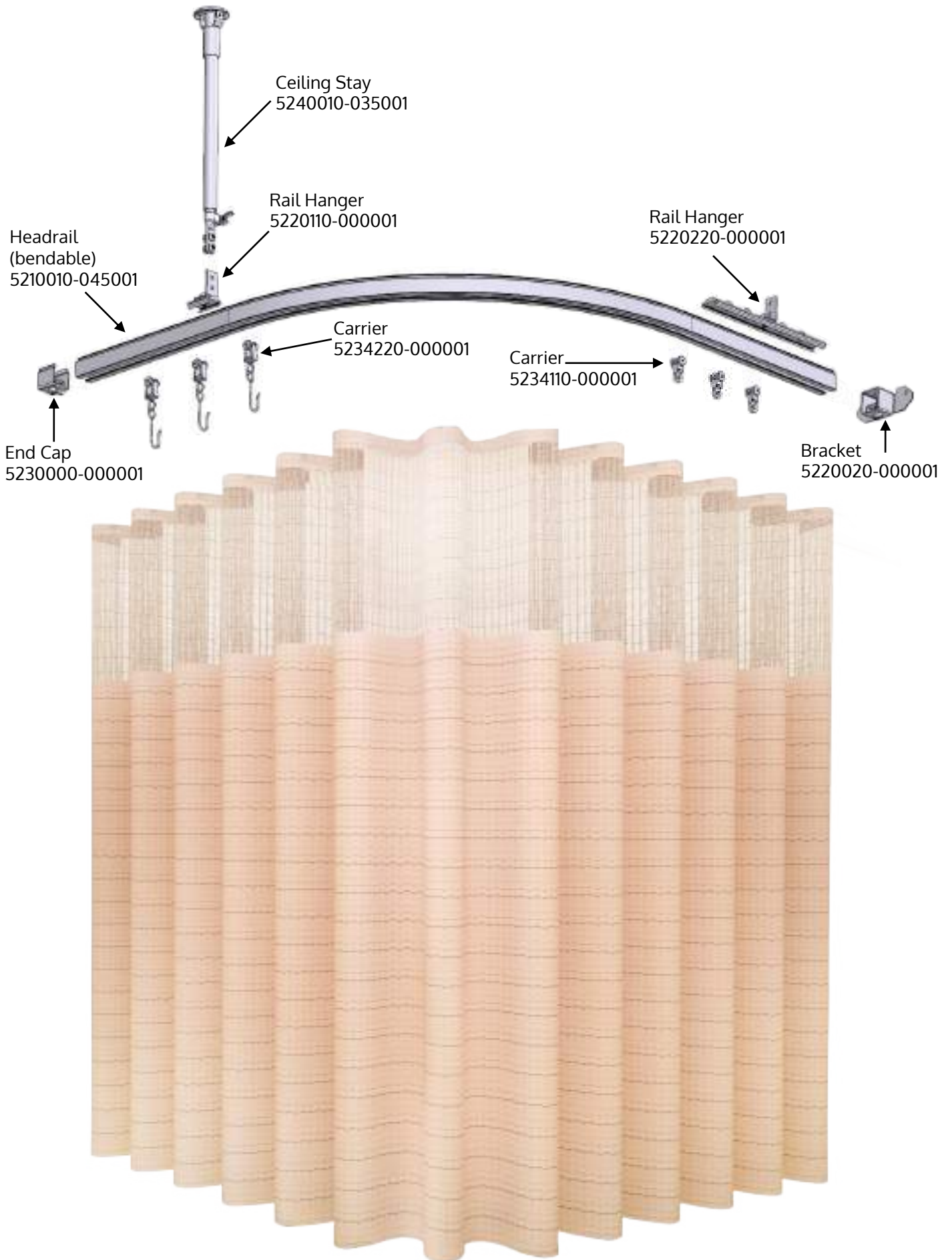












Openness Options : 0%

Content : 78% PVC, 22% Polyester

Roll Length : 30m

Roll Width : 180cm, 250cm, 300cm

F008011-250162S



F008011-250163S



F008011-250165



F008011-250166



F008011-250167S



F008011-250210



F008011-250211



F008011-250216



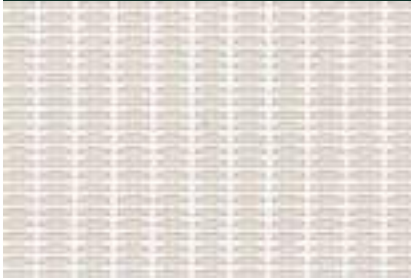
Openness Options : 1%

Content : 75% PVC, 25% Polyester

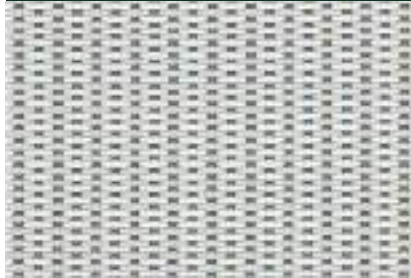
Roll Length : 30m

Roll Width : 180cm, 250cm, 300cm

F008011-250054



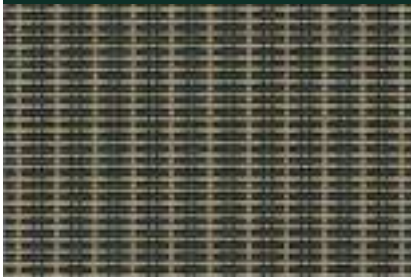
F008011-250055



F008011-250202



F008011-250203



F008011-250204



F008011-250205



F008011-250206



Openness Options : 1%, 3%, 5%, 10%

Content : 75% PVC, 25% Polyester

Roll Length : 30m

Roll Width : 180cm, 250cm, 300cm

F008011-250714



F008011-250715



F008011-250716



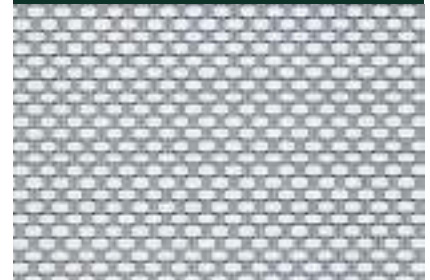
F008011-250717



F008011-250718



F008011-250719



F008011-250720



F008011-250721



Openness Options : 3%

Content : 71% PVC, 29% Polyester

Roll Length : 30m

Roll Width : 180cm, 250cm, 300cm

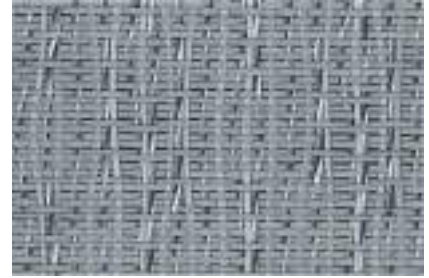
F008011-2500801



F008011-2500802



F008011-2500803



F008011-2500804



F008011-2500805



Openness Options : 3%

Content : 75% PVC, 25% Polyester

Roll Length : 30m

Roll Width : 180cm, 250cm, 300cm

F008011-250378R



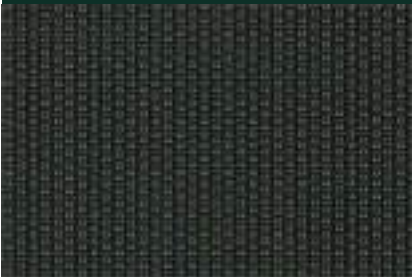
F008011-250379R



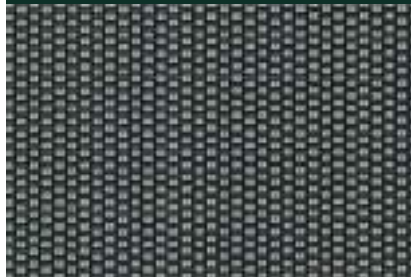
F008011-250380



F008011-250381R



F008011-250382R



F008011-250383



Openness Options : 3%

Content : 75% PVC, 25% Polyester

Roll Length : 30m

Roll Width : 180cm, 250cm, 300cm

F008011-2500806



F008011-2500807



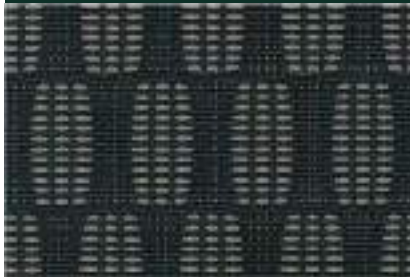
F008011-2500808



F008011-2500809



F008011-2500810



Openness Options : 5%, 10%

Content : 79% PVC, 21% Polyester

Roll Length : 30m

Roll Width : 180cm, 250cm, 300cm

F008011-250746



F008011-250747



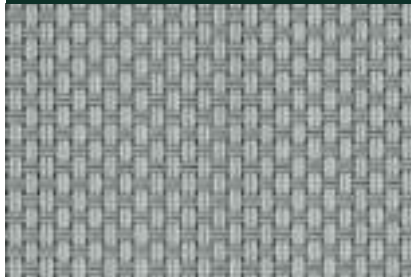
F008011-250748



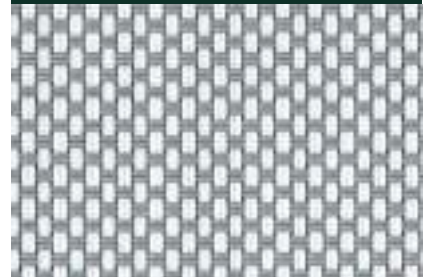
F008011-250749



F008011-250750



F008011-250751



F008011-250752



F008011-250753



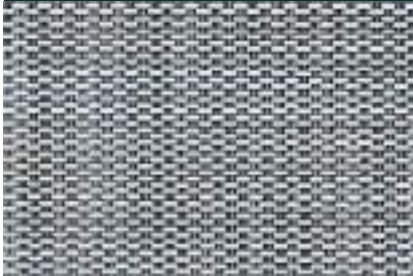
Openness Options : 5%

Content : 85% PVC, 15% Polyester

Roll Length : 30m

Roll Width : 180cm, 250cm, 300cm

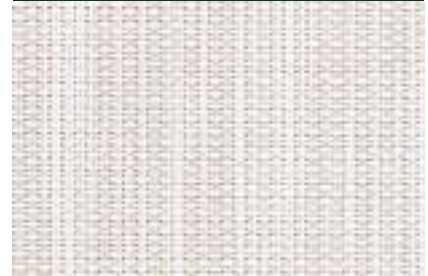
F008011-250639



F008011-250640



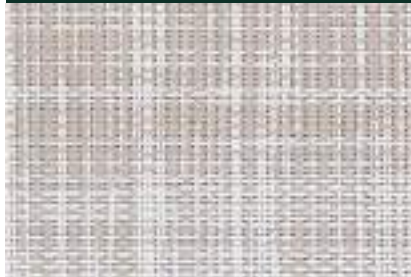
F008011-250641



F008011-250642



F008011-250643



F008011-250644



F008011-250645



Openness Options : 6%

Content : 84% PVC, 16% Polyester

Roll Length : 30m

Roll Width : 180cm, 250cm, 300cm

F008011-2500101



F008011-2500102



F008011-2500103



F008011-2500104



F008011-2500105



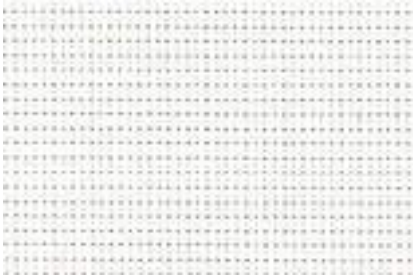
Openness Options : 7%

Content : 75% PVC, 25% Polyester

Roll Length : 30m

Roll Width : 180cm, 250cm, 300cm

F008011-250837



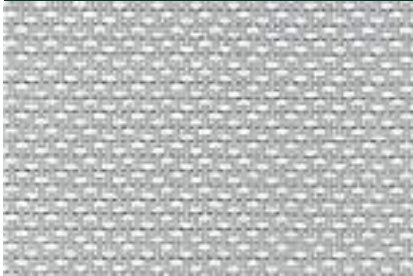
F008011-250838



F008011-250839



F008011-250840



F008011-250841



F008011-250842



Openness Options : 10%

Content : 70% PVC, 30% Polyester

Roll Length : 30m

Roll Width : 180cm, 250cm, 300cm

F008011-2500811



F008011-2500812



F008011-2500813



F008011-2500814



F008011-2500815



Openness Options : 11%

Content : 81% PVC, 19% Polyester

Roll Length : 30m

Roll Width : 180cm, 250cm, 300cm

F008011-2502201



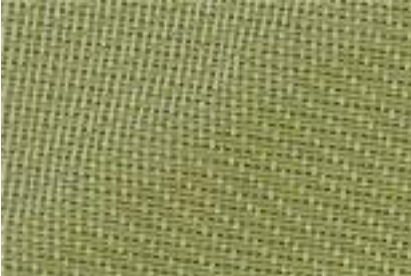
F008011-2502202



F008011-2502203



F008011-2502204



Openness Options : 12%

Content : 85% PVC, 15% Polyester

Roll Length : 30m

Roll Width : 180cm, 250cm, 300cm

F008011-250155



F008011-250156



F008011-250157



F008011-250160



F008011-250161



F008011-250229



F008011-250285



F008011-250357



Openness Options : 6%

Content : 75% PVC, 25% Polyester

Roll Length : 30m

Roll Width : 250cm, 300cm

F008011-250337



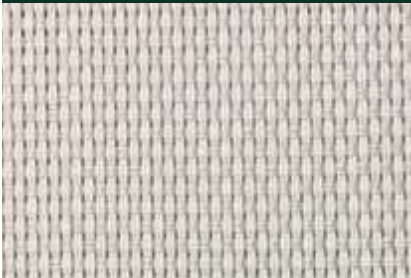
F008011-250338



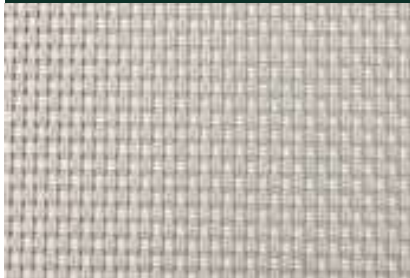
F008011-250339



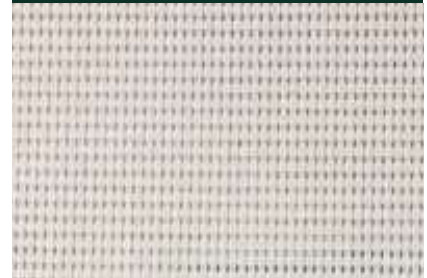
F008011-250340



F008011-250341



F008011-250342



Content : 100% Polyester  
Roll Width : 300cm  
Thickness : 0.68mm ± 0.05mm  
Weight : 420g/m<sup>2</sup> ± 5%

F036030-430601



F036030-430602



F036030-430603



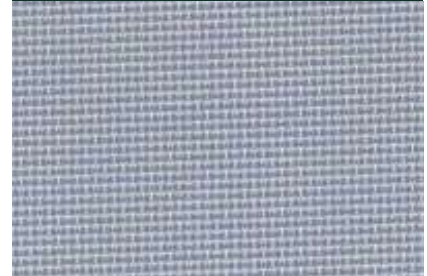
F036030-430605



F036030-430701



F036030-430702



F036030-430704



F036030-431001



F036030-431002



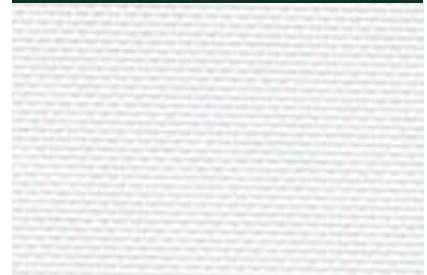
F036030-431003



F036030-431103



F036030-431301



Content : 100% Polyester

Roll Width : 300cm

Thickness : 0.68mm  $\pm$  0.05mm

Weight : 420g/m<sup>2</sup>  $\pm$  5%

F036030-431302



F036030-431303



F036030-431304



F036030-431305



F036030-431306



F036030-431307



F036030-431308



Content : 100% Polyester

Roll Length : 30m

Roll Width : 250cm, 300cm

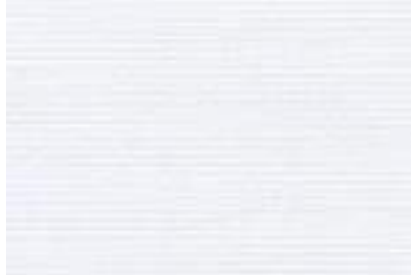
Notes : Available for vertical blinds 89mm & 127mm, roll length 100m.

F044030-250001



F044030-250010

White



F044030-250014



F044030-250015



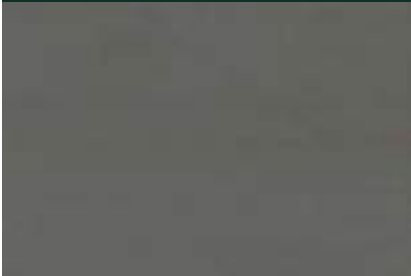
F044030-250016



F044030-250017



F044030-250018



F044030-250020

Off White



F044030-250021



F044030-250026



Content : 100% Polyester

Roll Length : 30m

Roll Width : 250cm, 300cm

Notes : Available for vertical blinds 89mm & 127mm, roll length 100m.

F044030-250NER



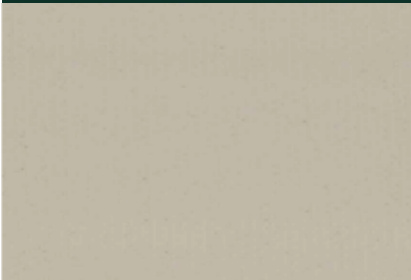
F044030-250NIC



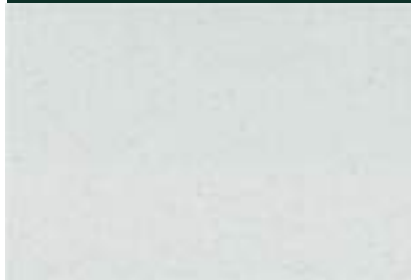
F044030-250SLA



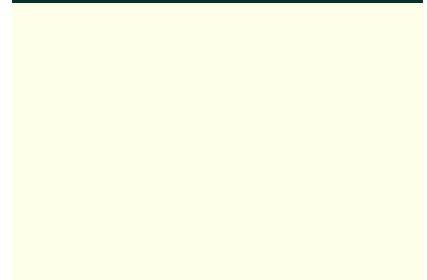
F044030-250CAM



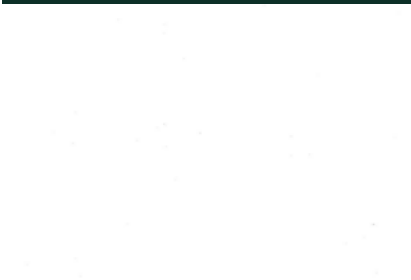
F044030-250CLO



F044030-250PEA



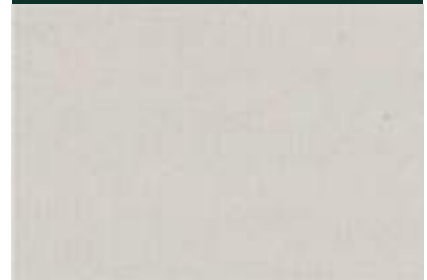
F044030-250PUR



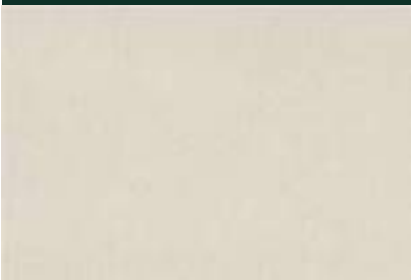
F044030-250PEP



F044030-250MIS



F044030-250STO



Content : 100% Polyester

Roll Length : 30m

Roll Width : 300cm

Notes : Available for dim-out fabric and vertical blinds 89mm & 127mm, roll length 100m.

F044030-300B201



F044030-300B203



F044030-300B541



F044030-300B542



F044030-300B543



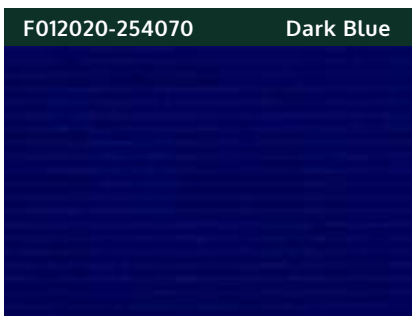
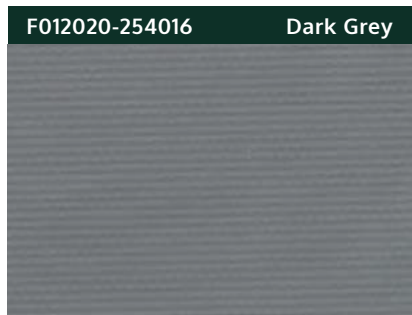
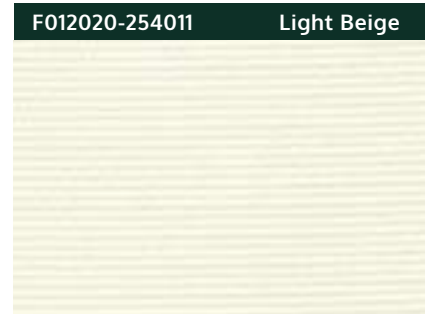
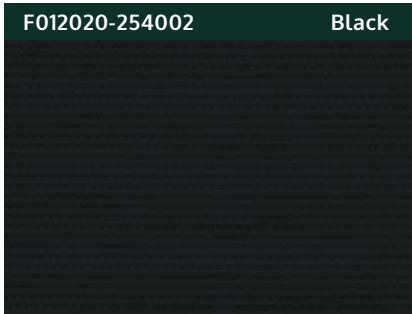
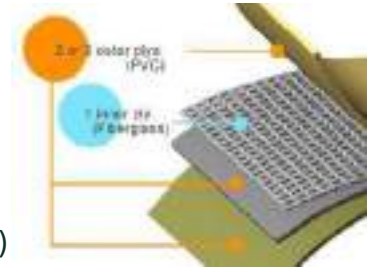
Content : PVC (3 outer plys), Fibreglass (1 inner ply)

Roll Length : 30m

Roll Width : 183cm, 200cm, 254cm, 297cm

Weight : Approx. 430g/m<sup>2</sup>

Specification : Fire Retardant (NFPA 701), Anti-Mildew (ASTM G21)



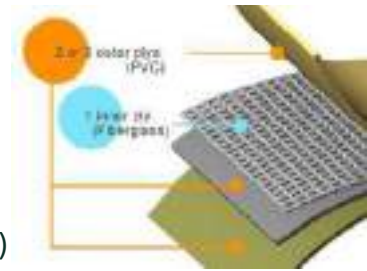
Content : PVC (3 outer plys), Fibreglass (1 inner ply)

Roll Length : 30m

Roll Width : 183cm, 200cm, 254cm, 297cm

Weight : Approx. 430g/m<sup>2</sup>

Specification : Fire Retardant (NFPA 701), Anti-Mildew (ASTM G21)



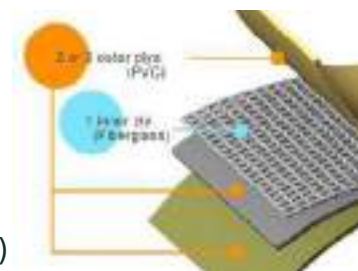
Content : PVC (3 outer plys), Fibreglass (1 inner ply)

Roll Length : 30m

Roll Width : 183cm, 200cm

Weight : Approx. 430g/m<sup>2</sup>

Specification : Fire Retardant (NFPA 701), Anti-Mildew (ASTM G21)



**F012020-254022** Light Beige



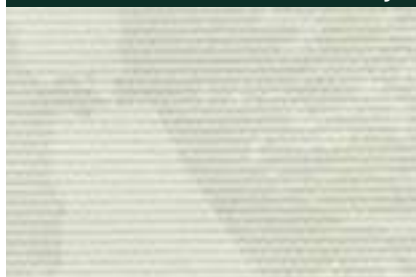
**F012020-254023** Feather



**F012020-254077** Grey



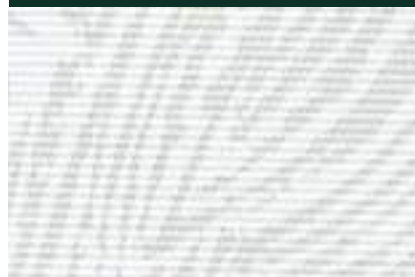
**F012020-254078** Ivory



**F012020-254079** Grey



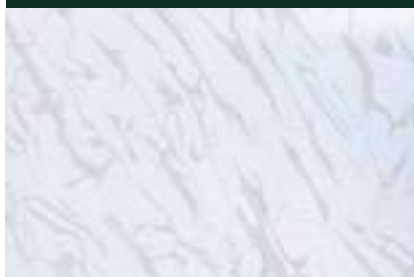
**F012020-254080** White



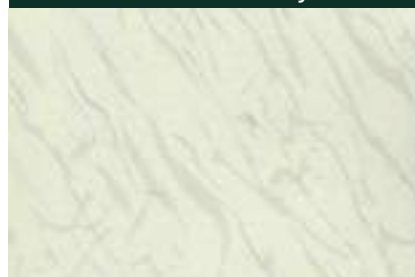
**F012020-254081** Grey



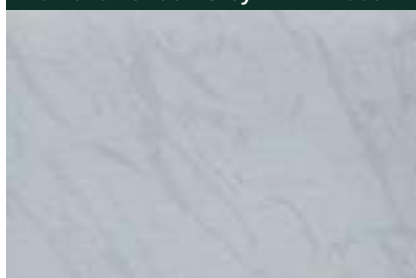
**F012020-254082** White Ribbon



**F012020-254083** Ivory Ribbon



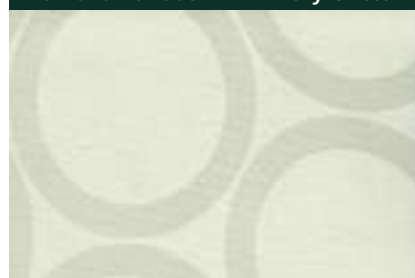
**F012020-254084** Grey Ribbon



**F012020-254085** White Circle



**F012020-254086** Ivory Circle



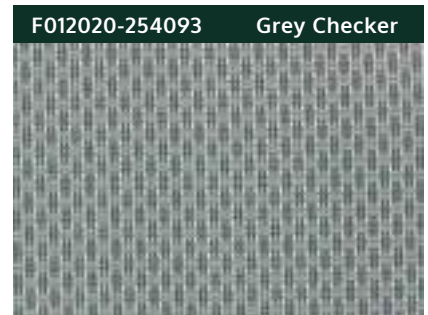
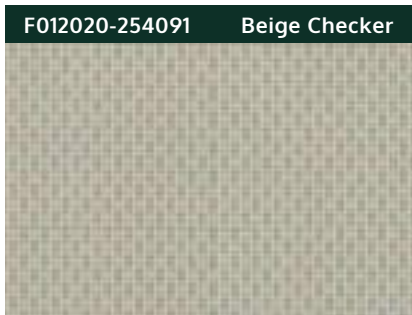
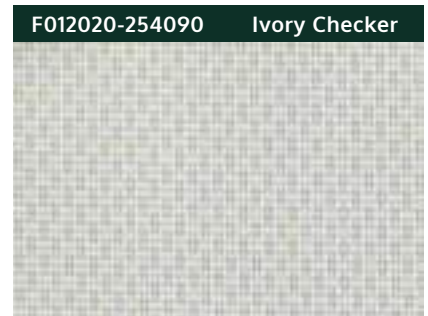
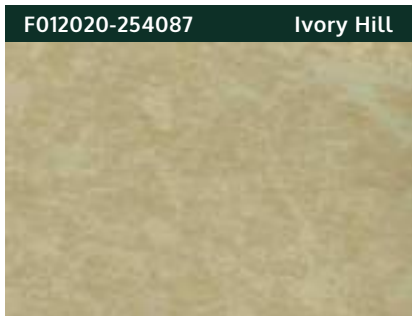
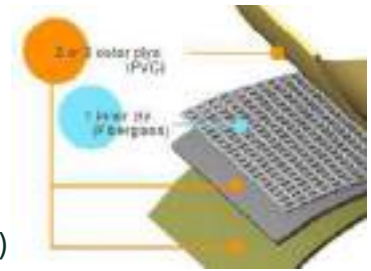
Content : PVC (3 outer plys), Fibreglass (1 inner ply)

Roll Length : 30m

Roll Width : 183cm, 200cm

Weight : Approx. 430g/m<sup>2</sup>

Specification : Fire Retardant (NFPA 701), Anti-Mildew (ASTM G21)



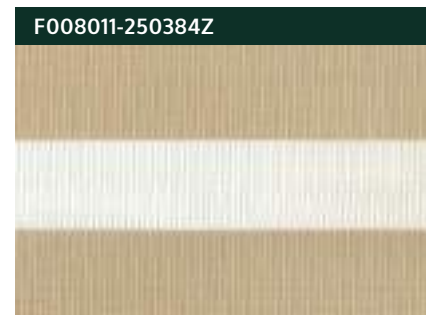
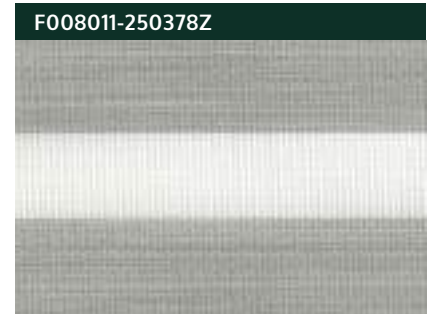
# Zebra Fabric

Openness : Less than 1%

Content : 85% PVC, 15% Polyester

Roll Length : 30m

Roll Width : 250cm



# Vertical Fabric

Content : 100% Polyester

Roll Length : 100m

Roll Width : 89mm, 127mm

F044030-127017-2



F044030-127017-3



F044030-127017-4



F044030-127017-5



F044030-127320-1



F044030-127320-2



F044030-127320-3



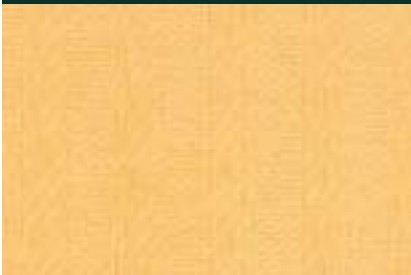
F044030-127320-4



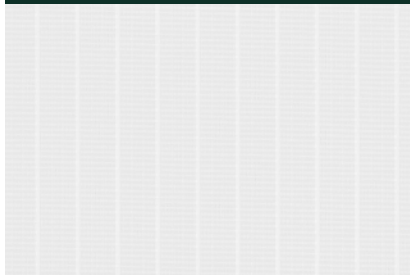
F044030-127320-5



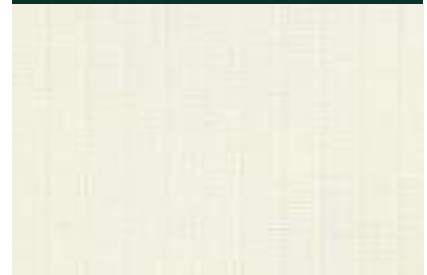
F044030-127320-20



F044030-127801-1



F044030-127801-2



# Vertical Fabric

Content : 100% Polyester

Roll Length : 100m

Roll Width : 89mm, 127mm

F044030-127801-4



F044030-127801-5



F044030-127801-7



F044030-127801-16



F044030-127801-17



# Natural Woven Fabric

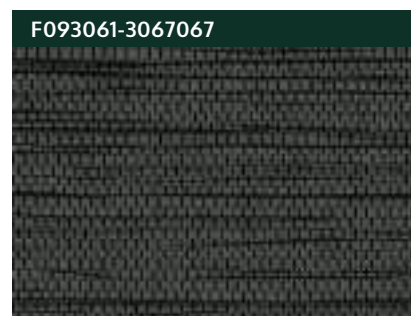
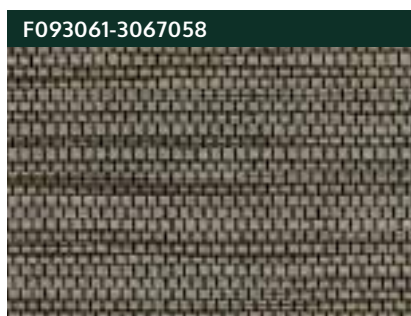
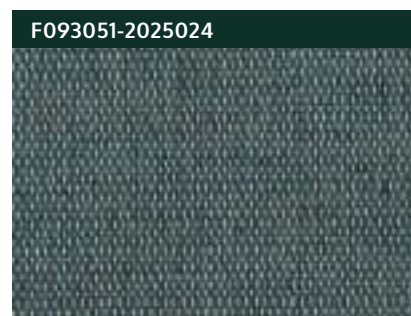
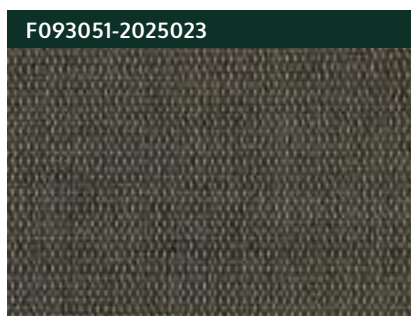
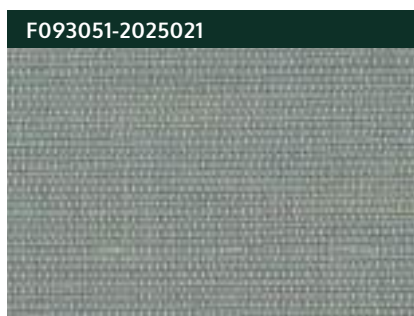
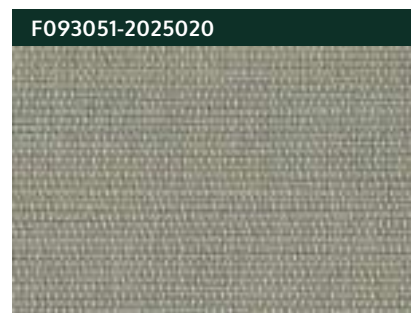
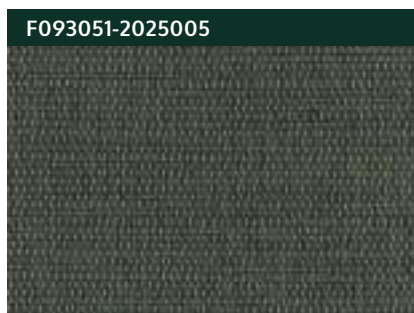
Content : 05 - Jute + Polyester / 06 - Paper + Polyester

07 - Paper + Jute + Polyester / 08 - Jute + Cotton + Polyester

Roll Length : 35m

Roll Width : 200cm or 240cm

Notes : Available for roman, vertical and panel blinds



# Natural Woven Fabric

Content : 05 - Jute + Polyester / 06 - Paper + Polyester

07 - Paper + Jute + Polyester / 08 - Jute + Cotton + Polyester

Roll Length : 35m

Roll Width : 200cm or 240cm

Notes : Available for roman, vertical and panel blinds

F093061-3162003



F093061-3199003



F093061-3199011



F093061-3218013



F093061-3225002



F093061-3276002



F093061-3299002



F093061-3299006



F093061-3307002



F093061-36512



F093061-5156003



F093071-4088006



# Natural Woven Fabric

Content : 05 - Jute + Polyester / 06 - Paper + Polyester

07 - Paper + Jute + Polyester / 08 - Jute + Cotton + Polyester

Roll Length : 35m

Roll Width : 200cm or 240cm

Notes : Available for roman, vertical and panel blinds

F093081-5208011

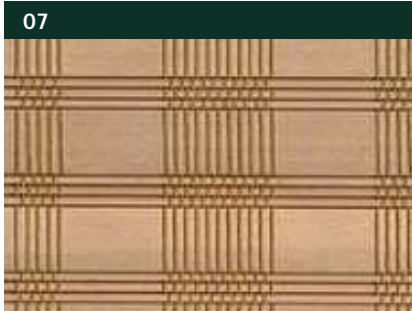


Content : Araucaria

Roll Length : 18m

Roll Width : 240cm, 300cm

Specification : PEFC certified

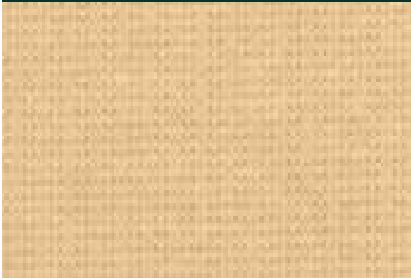


Content : Non-Woven

Roll Length : 100m

Roll Width : 89mm, 127mm

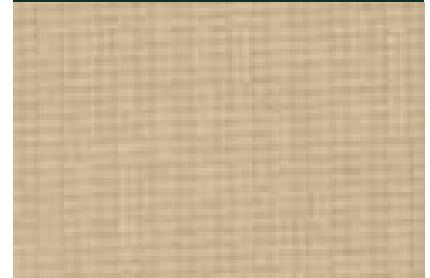
F067011-127009



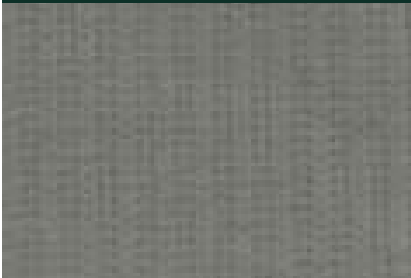
F067011-127011



F067011-127012



F067011-127017



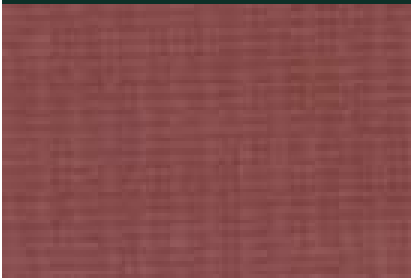
F067011-127023



F067011-127039



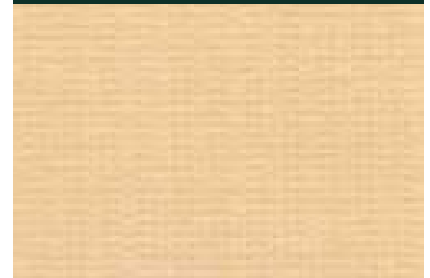
F067011-127069



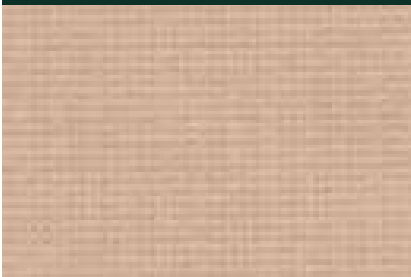
F067011-127073



F067011-127102



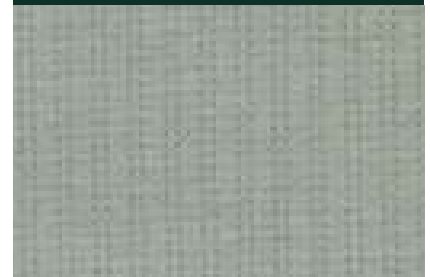
F067011-127106



F067011-127202



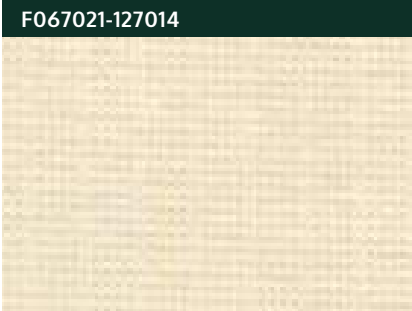
F067011-127204



Content : Non-Woven

Roll Length : 100m

Roll Width : 89mm, 127mm



Content : 100% Polyester

Roll Length :  $\pm 50$  yards

Roll Width : 186cm, 238cm

Weight : Approx. 245~360g/m<sup>2</sup>

Specification : Fire Retardant (NFPA 701)



Content : 100% Polyester

Roll Length : ± 50 yards

Roll Width : 186cm, 238cm

Weight : Approx. 245~360g/m<sup>2</sup>

Specification : Fire Retardant (NFPA 701)

F030031-250102



F030031-250103



F030031-250104



F030031-250105



F030031-250106



F030031-250201



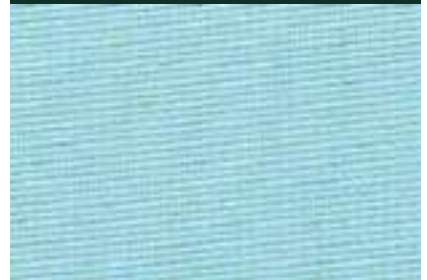
F030031-250202



F030031-250203



F030031-250204



F030031-250205



Content : 100% Polyester

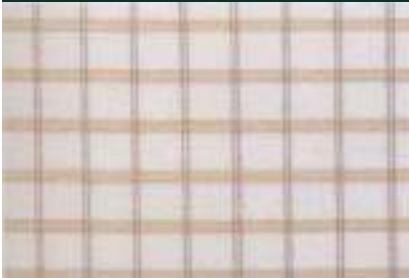
Roll Length : ± 50 yards

Roll Width : 186cm, 238cm

Weight : Approx. 245~360g/m<sup>2</sup>

Specification : Fire Retardant (NFPA 701)

F030031-250802



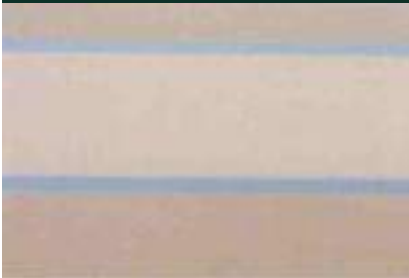
F030031-250807



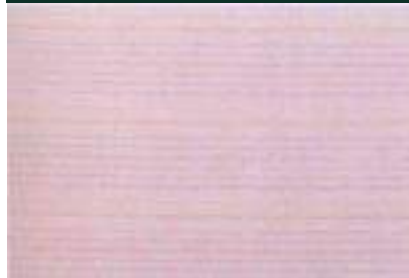
F030031-250808



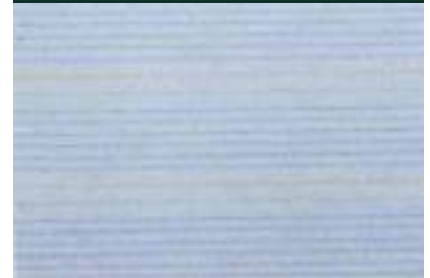
F030031-250812



F030031-250816-1



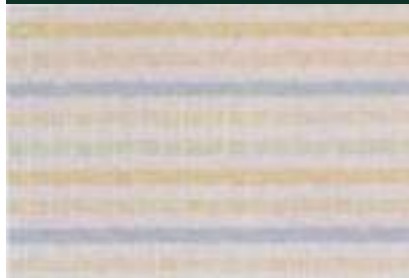
F030031-250816-2



F030031-250816-3



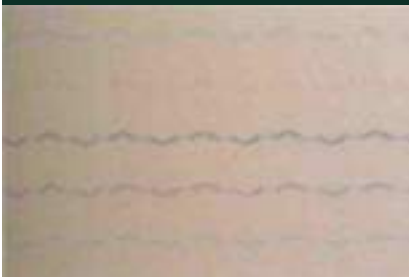
F030031-250817



F030031-250818



F030031-250819



F030031-250820



F030031-250821



Content : 100% Polyester

Roll Length : ± 50 yards

Roll Width : 186cm, 238cm

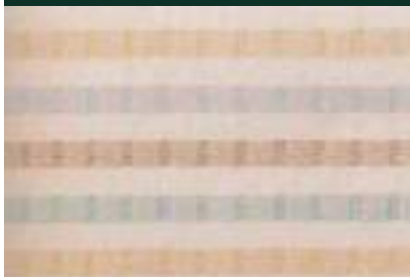
Weight : Approx. 245~360g/m<sup>2</sup>

Specification : Fire Retardant (NFPA 701)

F030031-250822



F030031-250823



F030031-250824



F030031-250827



F030031-250828



F030031-250829



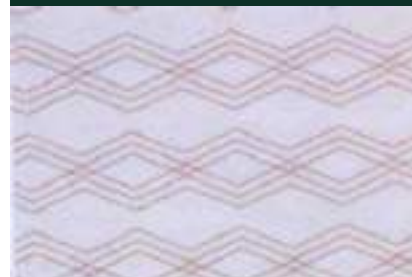
F030031-250830



F030031-250831



F030031-250832



F030031-250833



F030031-250834



F030031-250835



Content : 100% Polyester

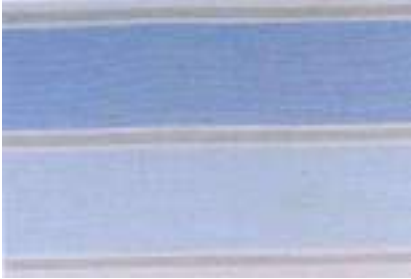
Roll Length : ± 50 yards

Roll Width : 186cm, 238cm

Weight : Approx. 245~360g/m<sup>2</sup>

Specification : Fire Retardant (NFPA 701)

F030031-250836



F030031-250823



F030031-250824



F030031-250839

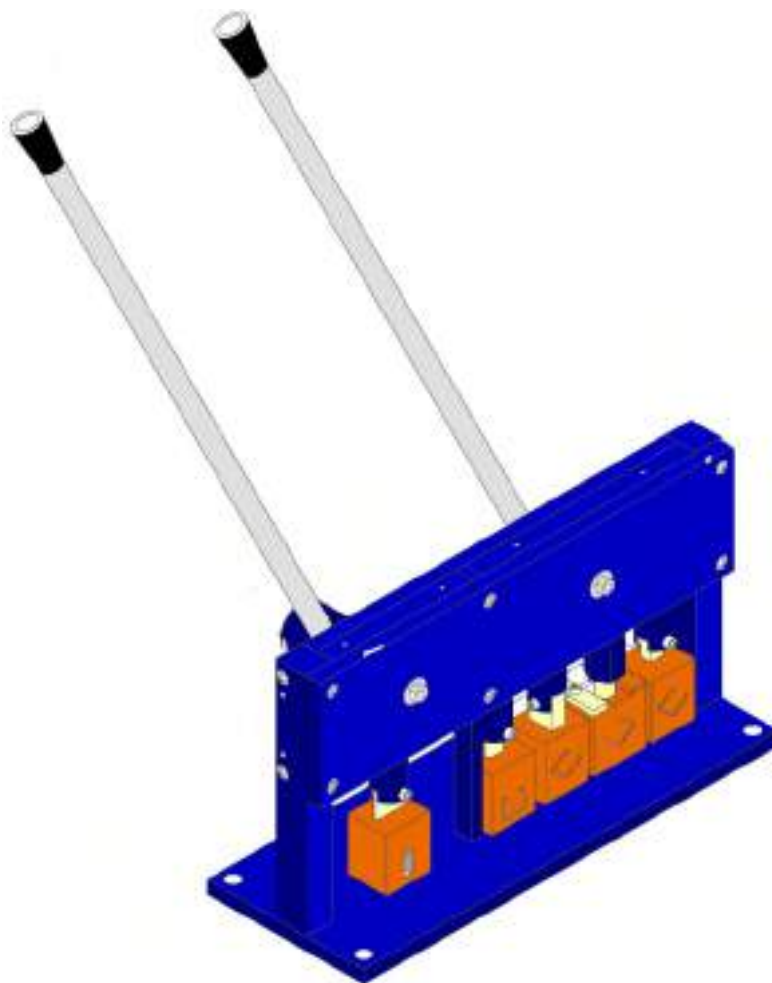


## M1COT-101

### MANUAL OPERATION MACHINE FOR CUTTING AND PUNCHING VENETIAN RAILS

1. Cuts headrail, bottom rail and steel tilt rod
2. Punches headrail for tilter, cord lock and tape roll support
3. Punches bottom rail for cord and tape button
4. Manual operation
5. Table top mount
6. Dies made to order, available for 25, 35 and 50mm sizes

Cutting dies	To order
Punching dies	To order
LxWxH (cm)	71 x 34 x 47
Weight	45kg (approx)

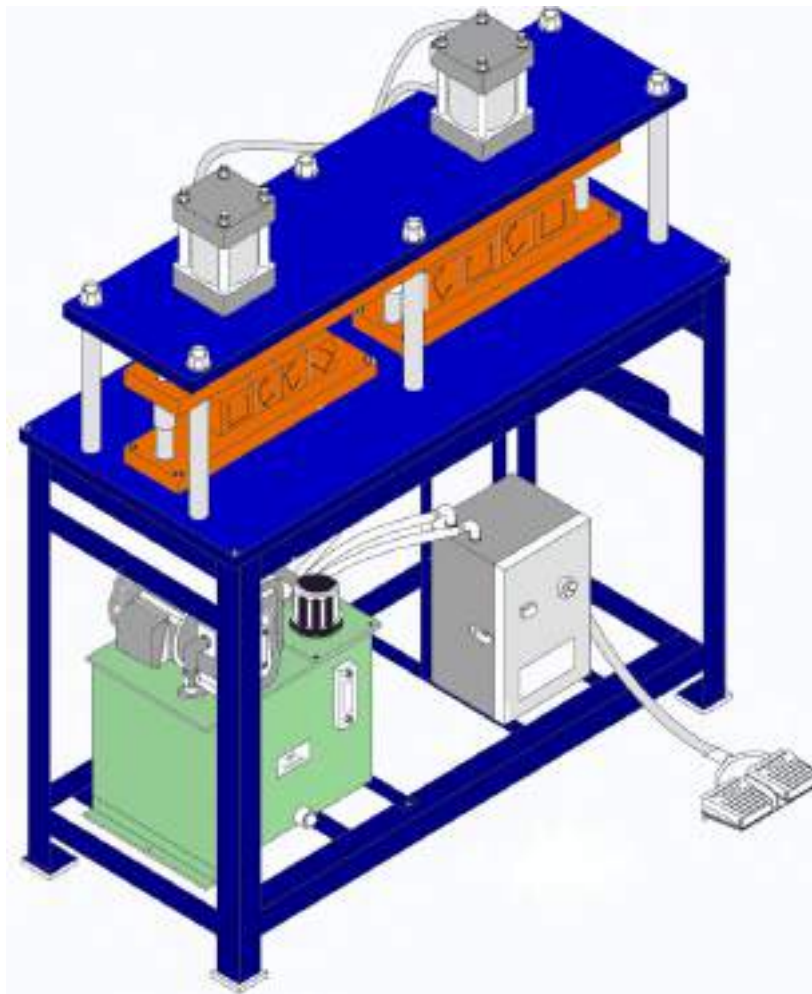


## M1COT-101-1

### HYDRAULIC OPERATED MACHINE FOR CUTTING AND PUNCHING VENETIAN RAILS

1. Cuts headrail, bottom rail and steel tilt rod
2. Punches headrail for tilter, cord lock and tape roll support
3. Punches bottom rail for cord and tape button
4. Hydraulic operation for increased productivity
5. Dies made to order, available for 25, 35 and 50mm sizes

Cutting dies	To order
Punching dies	To order
LxWxH (cm)	144 x 83 x 153
Weight	548kg (approx)



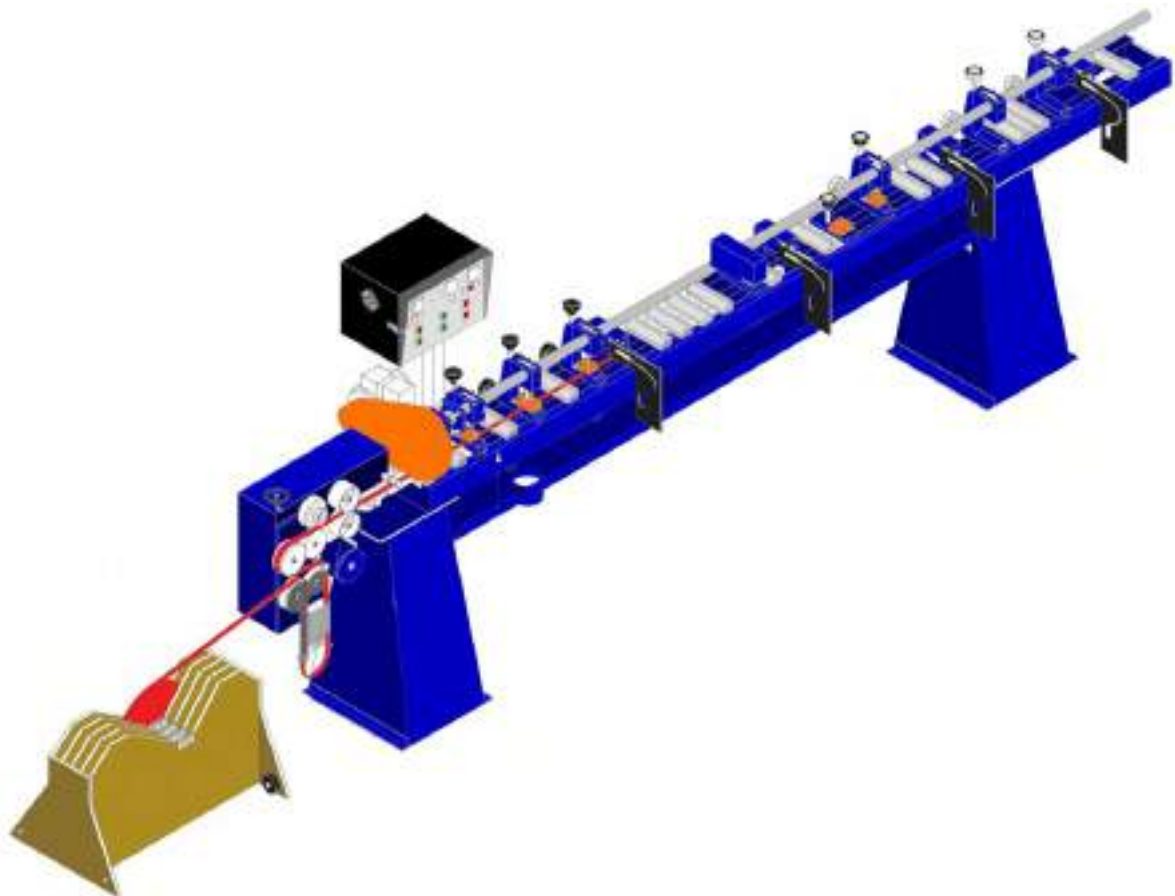
# M1COT-200

## SEMI-AUTOMATIC MACHINE FOR THE MANUFACTURE OF ALUMINIUM VENETIAN BLINDS

FORMING, CUTTING AND PUNCHING

1. Coil forming, cutting and punching
  2. Slat output speed is adjustable
  3. Available for 15-16, 25, 35 and 50mm slat sizes
  4. 35 and 50mm require pre-formed coil
  5. Requires 5kg/cm<sup>2</sup> air supply
  6. Voltage to customer requirement
- Also available M1COT-200S (30m/min fixed output speed)

	M1COT-200	M1COT-200S
Forming station	1	1
Cutting station	1	1
Punching station	4	3
Max slat length	300cm (10ft)	300cm (10ft)
Max output	45m/min	30m/min
LxWxH (cm)	456 x 79 x 145	456 x 79 x 145
Weight	586kg	440kg

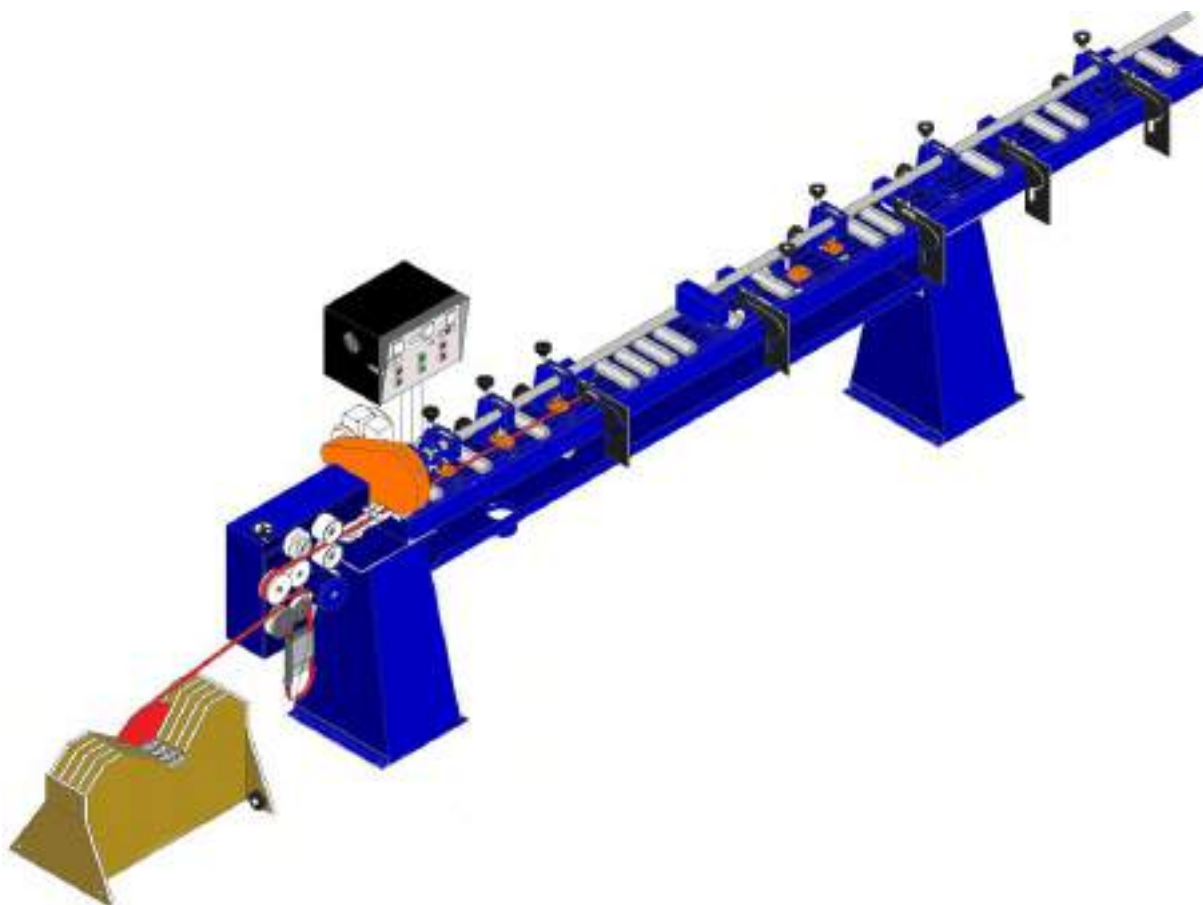


# M1COT-201

## SEMI-AUTOMATIC MACHINE FOR THE MANUFACTURE OF ALUMINIUM VENETIAN BLINDS FORMING, CUTTING AND PUNCHING

1. Coil forming, cutting and punching
  2. Slat output speed is adjustable
  3. Available for 15-16, 25, 35 and 50mm slat sizes
  4. 35 and 50mm require pre-formed coil
  5. Requires 5kg/cm<sup>2</sup> air supply
  6. Voltage to customer requirements
- Also available M1COT-201S (30m/min fixed output speed)

	M1COT-201	M1COT-201S
Forming station	1	1
Cutting station	1	1
Punching station	5	4
Max slat length	360cm (12ft)	360cm (12ft)
Max output	45m/min	45m/min
LxWxH (cm)	640 x 65 x 160	640 x 65 x 160
Weight	450kg	273kg



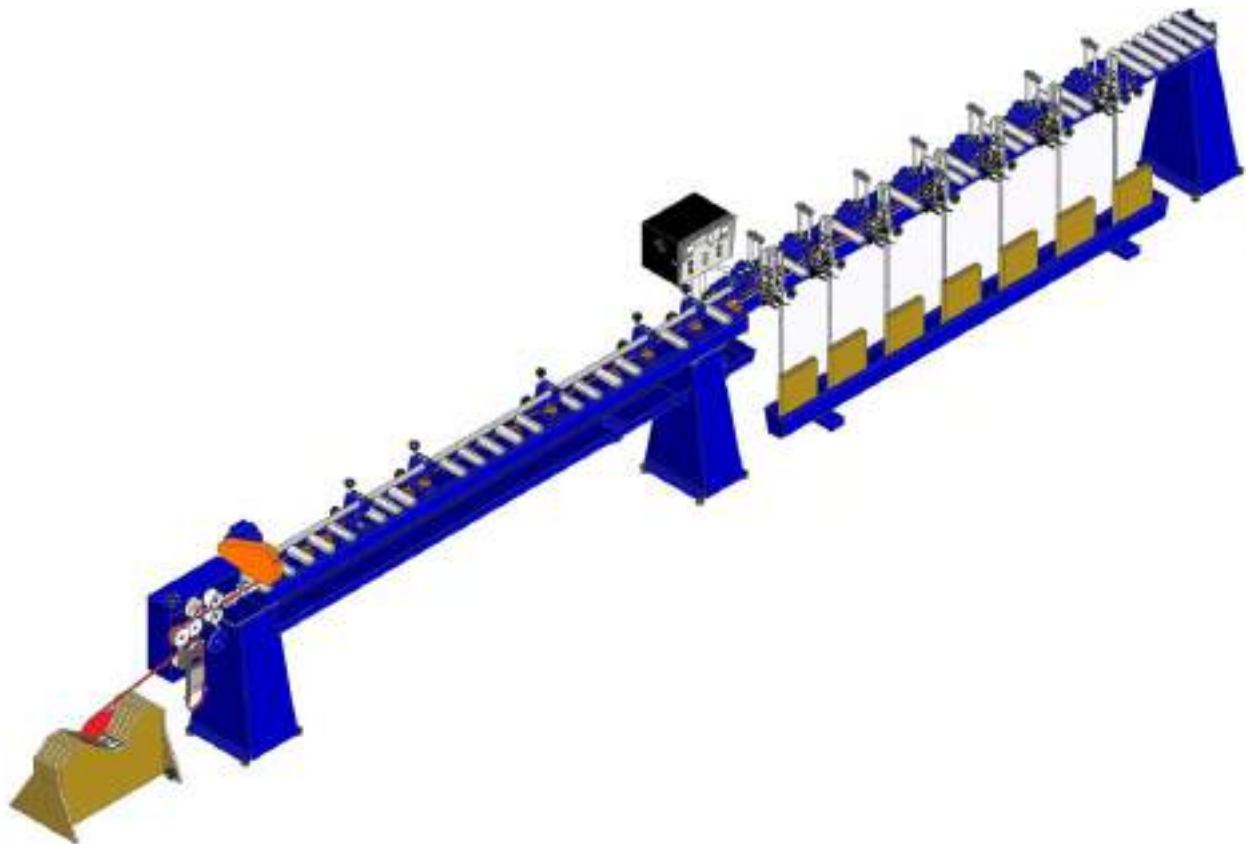
# M1COT-202

## FULLY AUTOMATIC MACHINE FOR THE MANUFACTURE OF ALUMINIUM VENETIAN BLINDS

FORMING, CUTTING, PUNCHING AND THREADING

1. Coil forming, cutting and punching
  2. Slat output speed is adjustable
  3. Available for 15-16, 25, 35 and 50mm slat sizes
  4. 35 and 50mm require pre-formed coil
  5. Requires 5kg/cm<sup>2</sup> air supply
  6. Voltage to customer requirements
- Also available M1COT-202S (30m/min fixed output speed)

	M1COT-202	M1COT-202S
Forming station	1	1
Cutting station	1	1
Punching station	4	4
Threading station	7	7
Max slat length	360cm (12ft)	360cm (12ft)
Max output	45m/min	30m/min
LxWxH (cm)	472 x 106 x 155	472 x 106 x 155
Weight	650kg	650kg (approx)



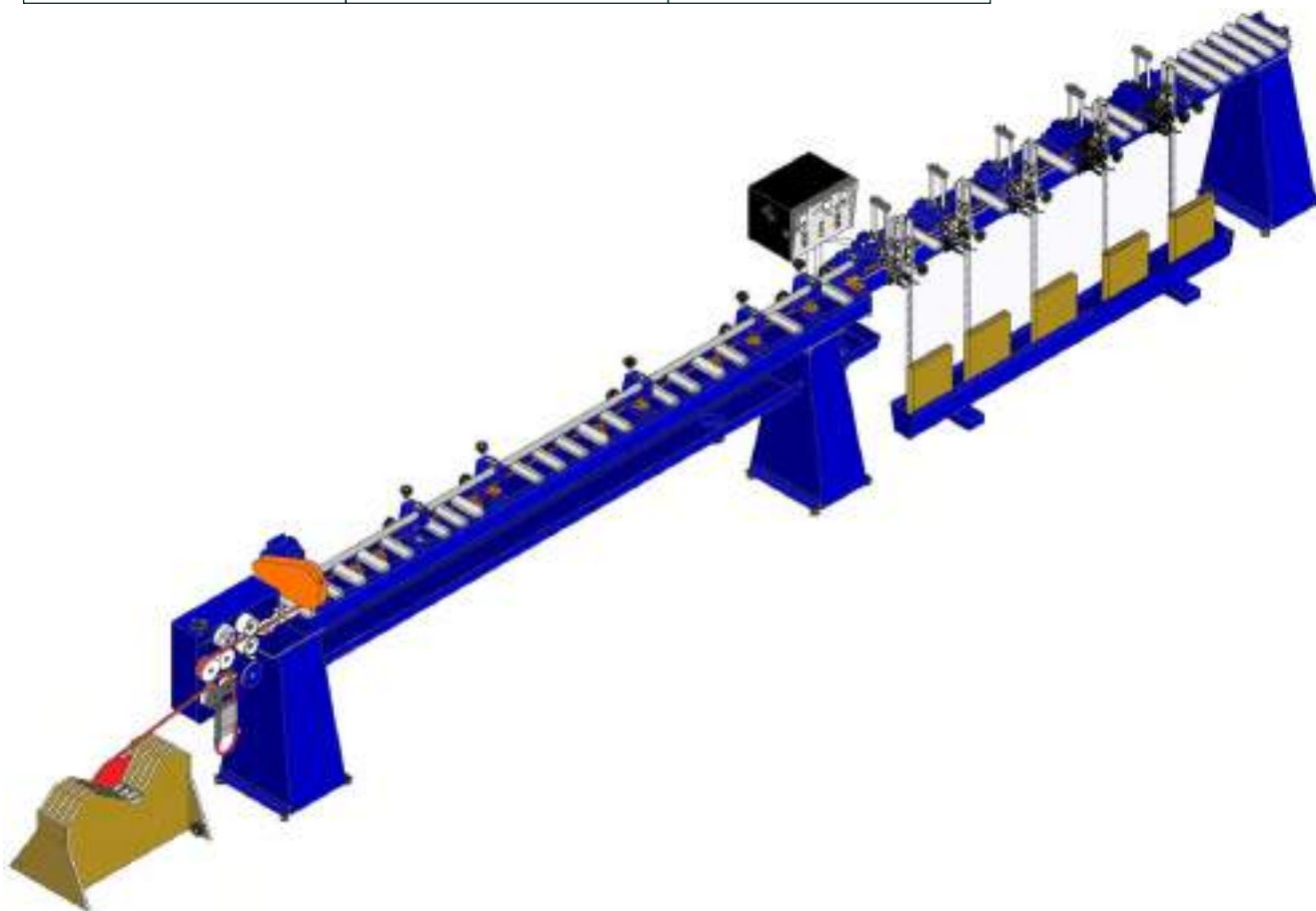
# M1COT-203

## FULLY AUTOMATIC MACHINE FOR THE MANUFACTURE OF ALUMINIUM VENETIAN BLINDS

FORMING, CUTTING, PUNCHING AND THREADING

1. Coil forming, cutting and punching
  2. Slat output speed is adjustable
  3. Available for 15-16, 25, 35 and 50mm slat sizes
  4. 35 and 50mm require pre-formed coil
  5. Requires 5kg/cm<sup>2</sup> air supply
  6. Voltage to customer requirements
- Also available M1COT-203S (30m/min fixed output speed)

	M1COT-203	M1COT--203S
Forming station	1	1
Cutting station	1	1
Punching station	4	4
Threading station	5	5
Max slat length	300cm (10ft)	300cm (10ft)
Max output	45m/min	30m/min
LxWxH (cm)	472 x 106 x 155	472 x 106 x 155
Weight	600kg	600kg (approx)



## M1COT-231

### FULLY AUTOMATIC MACHINE FOR THE MANUFACTURE OF ALUMINIUM VENETIAN BLINDS

FORMING, CUTTING, PUNCHING AND THREADING

1. Coil forming, cutting and punching
2. Auto distance for punching to save space
3. 16 and 25mm interchangeable
4. Requires 5kg/cm<sup>2</sup> air supply
5. Voltage to customer requirements

	M1COT-231/232
Forming station	1
Cutting station	1
Punching station	1
Threading station	5~7
Max slat length	300cm~360cm
Max output	40m/min
LxWxH (cm)	445 x 70 x 152
Weight(N.W.)	380kg



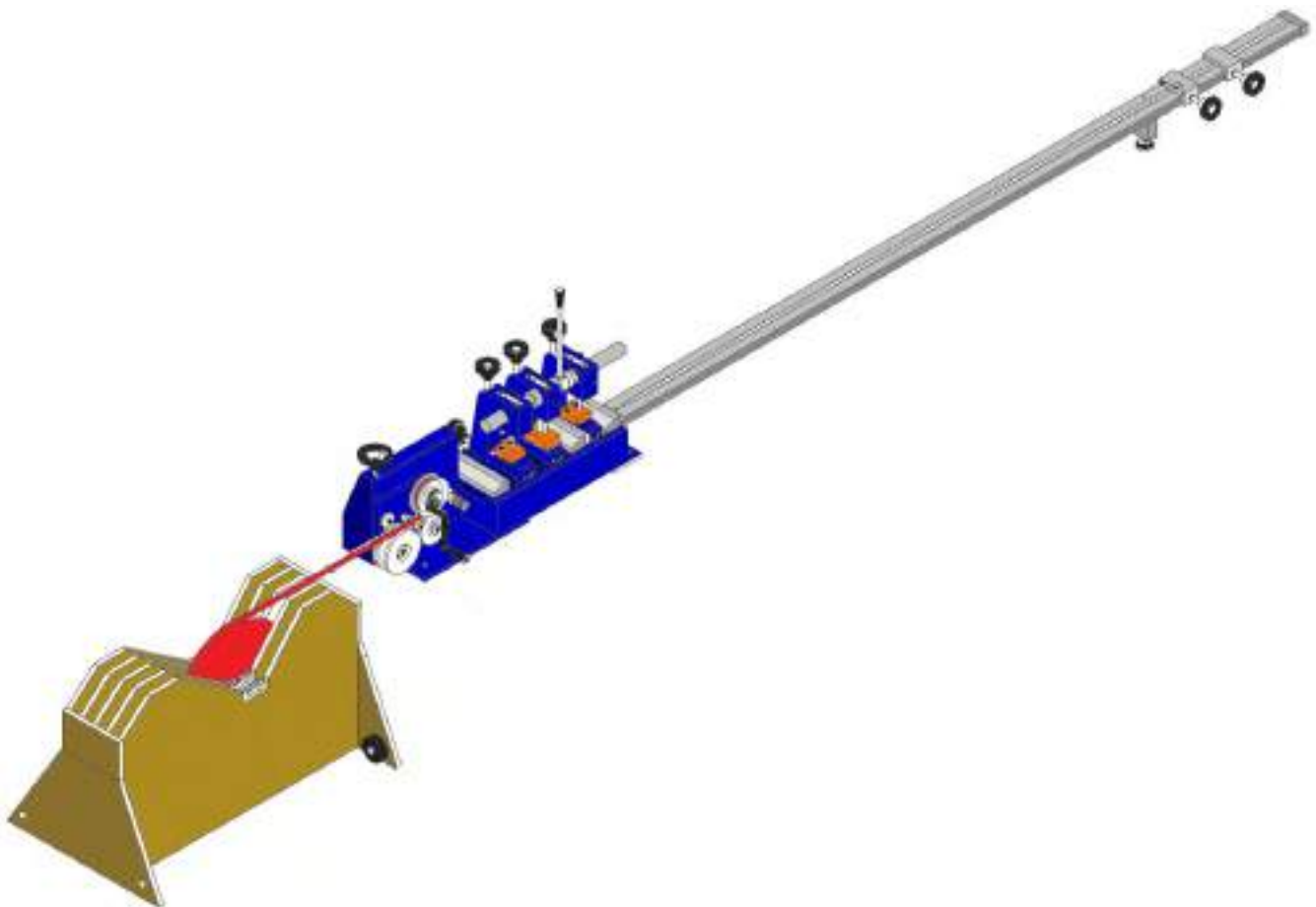
## M1COT-281

### MANUAL MACHINE FOR THE MANUFACTURE OF ALUMINIUM VENETIAN BLINDS

FORMING, CUTTING, PUNCHING

1. Coil forming, cutting and punching
2. Manual operation
3. Table top mount
4. Available for 25, 35 and 50mm slat sizes
5. 35 and 50mm require pre-formed coil

Forming station	1
Cutting station	1
Punching station	2
Max slat length	300cm (10ft)
Output	Manual
LxWxH (cm)-25mm	312 x 75 x 73
N.W./G.W.-25mm	95/197kg

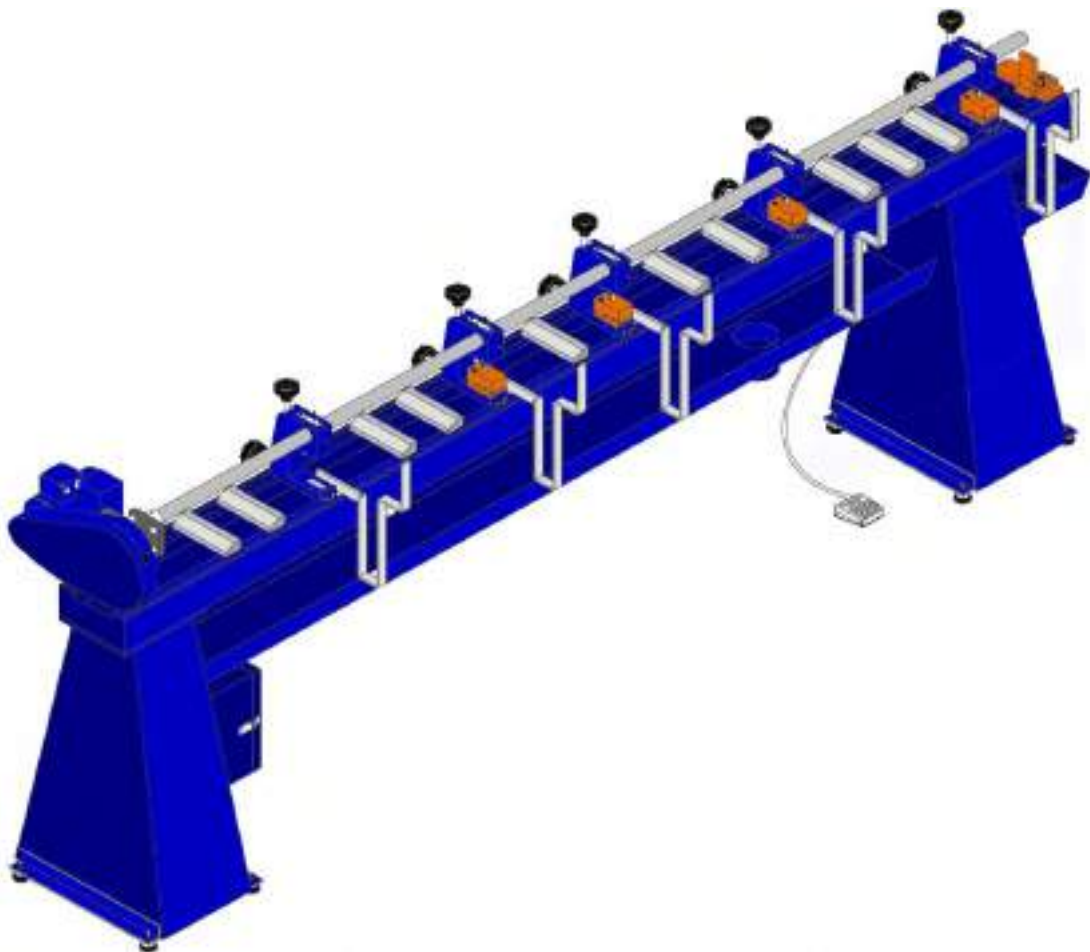


## M1COT-308-1

**MANUAL OPERATION MACHINE FOR THE MANUFACTURE OF WOOD AND FAUX WOOD VENETIAN BLINDS PUNCHING**

1. Punches pre-cut slat
2. Manual operation
3. Punching dies available for 25, 35 and 50mm slat sizes
4. Voltage to customer requirements

Punching stations	4
Max slat length	300cm (10ft)
Output	Manual
LxWxH (cm)	381 x 101 x 160
Weight	519kg

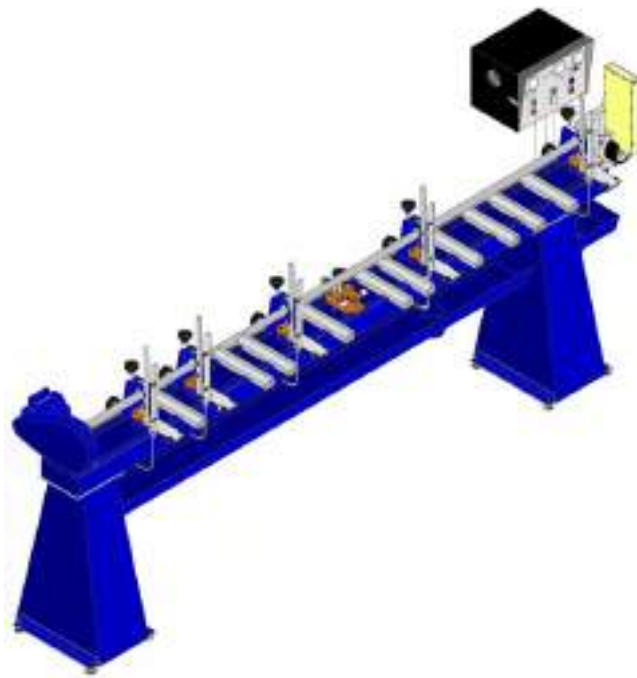


## M1COT-308-2

### SEMI-AUTOMATIC MACHINE FOR THE MANUFACTURE OF WOOD AND FAUX WOOD VENETIAN BLINDS PUNCHING

1. Semi-automatic punching with slat auto feed
2. Slat output speed is adjustable
3. Punching dies available for 25, 35 and 50mm slat sizes
4. Requires 5kg/cm<sup>2</sup> air supply
5. Voltage to customer requirements
6. Include 1.5M length collecting tank

Punching station	4
Max slat length	300cm (10ft)
Output	26m/min
LxWxH (cm)	381 x 101 x 160
Weight	519kg

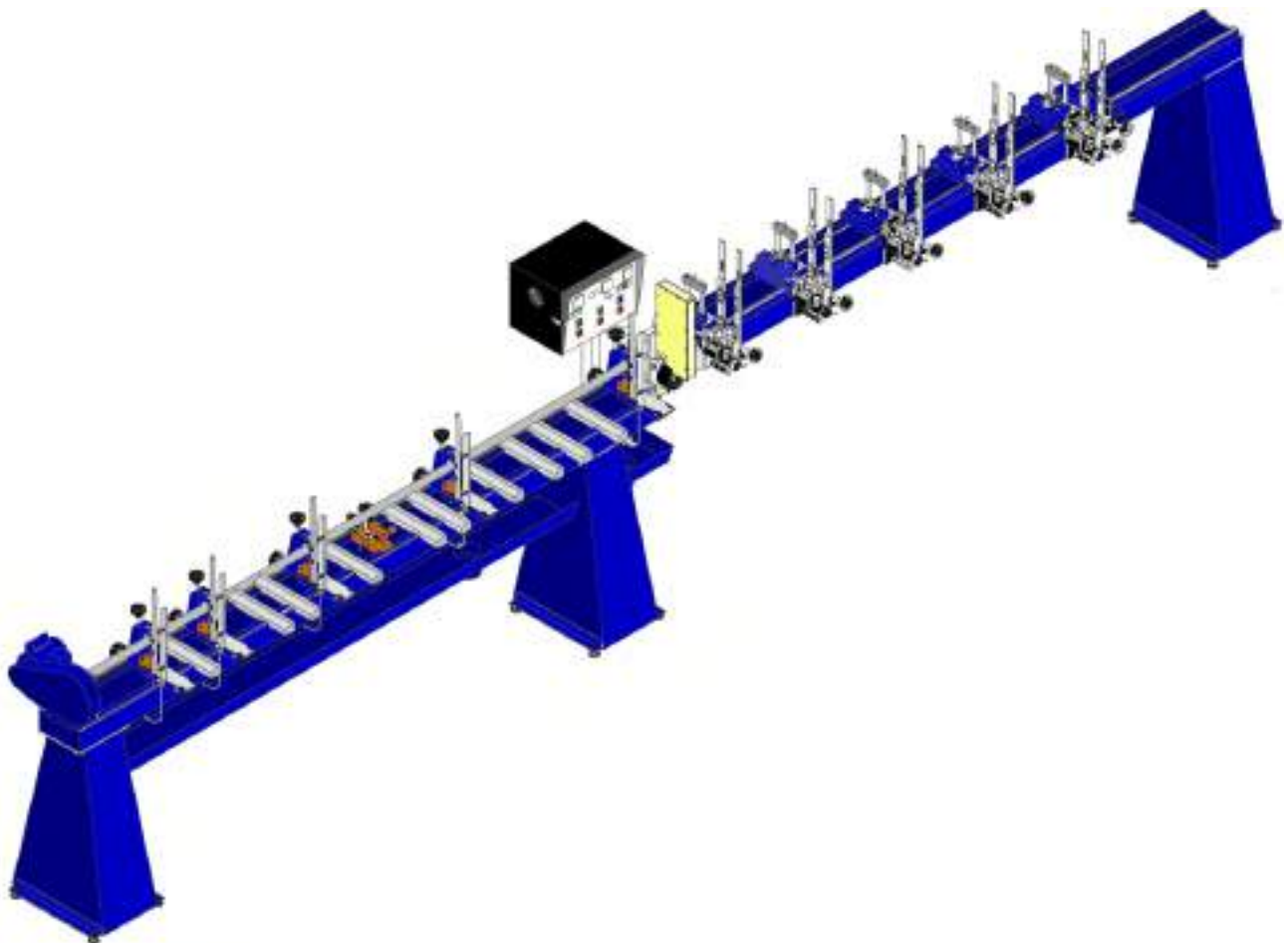


## M1COT-308-3

**FULLY AUTOMATIC MACHINE FOR THE MANUFACTURE OF WOOD AND FAUX WOOD VENETIAN BLINDS**  
PUNCHING AND THREADING

1. Fully automatic punching and threading with slat auto feed
2. Slat output speed is adjustable
3. Punching dies available for 25, 35 and 50mm slat sizes
4. Ladder tape option available on request
5. Requires 5kg/cm<sup>2</sup> air supply
6. Voltage to customer requirements

Punching station	4
Threading station	5
Max slat length	300cm (10ft)
Output	26m/min
LxWxH (cm)	386 x 111 x 160
Weight	590kg

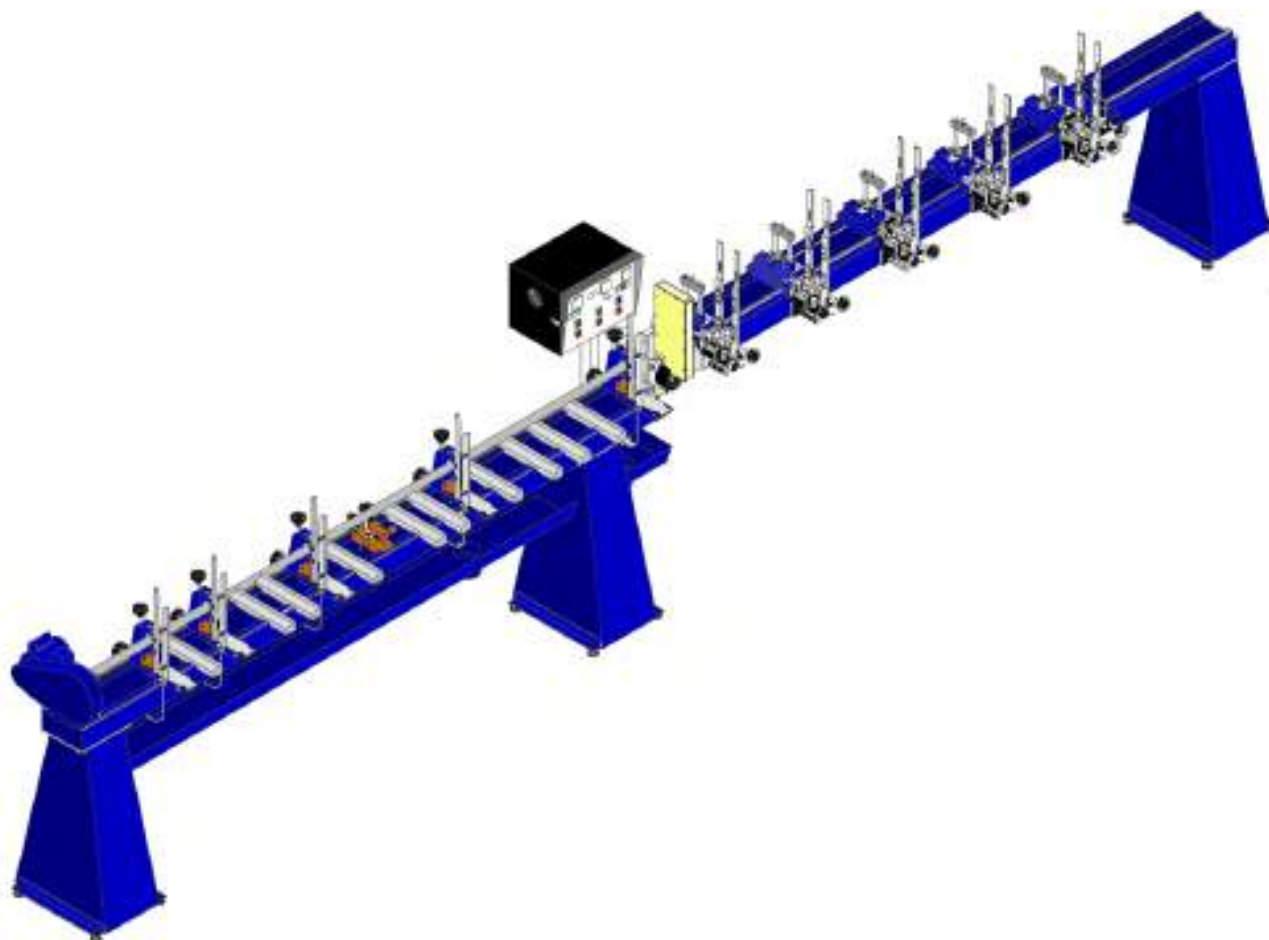


## M1COT-308-3C

**FULLY AUTOMATIC MACHINE FOR THE MANUFACTURE OF WOOD AND FAUX WOOD VENETIAN BLINDS**  
PUNCHING WITH SWITCH SELECTABLE THREADING FOR EITHER FOR LADDER STRING OR LADDER TAPE

1. Fully automatic punching and threading with slat auto feed
2. Slat output speed is adjustable
3. Punching dies available for 25, 35 and 50mm slat sizes
4. Switchable from control panel for ladder string or ladder tape threading
5. Requires 5kg/cm<sup>2</sup> air supply
6. Voltage to customer requirements

Punching station	4
Threading station	5 string + 5 tape
Max slat length	300cm (10ft)
Output	26m/min
LxWxH (cm)	386 x 111 x 160
Weight	703kg



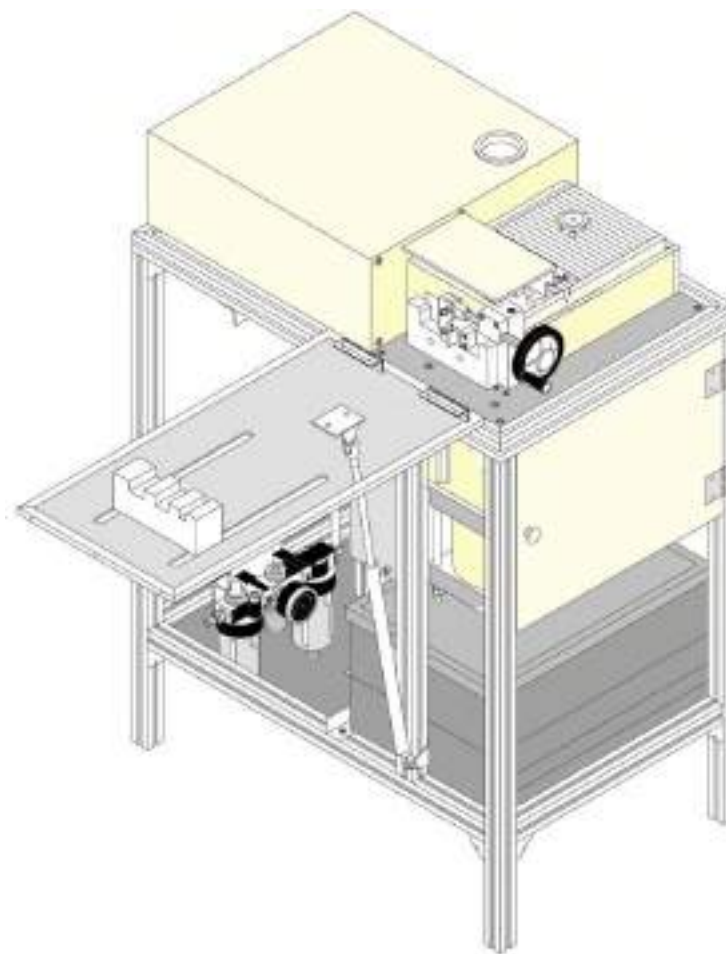
# M1COT-800

## PNEUMATIC OPERATION VENETIAN BLINDS CUT-DOWN MACHINE

25MM ALUMINIUM SLAT

1. Single operation cuts headrail, slat and bottom rail
2. Rapid 3 second cycle
3. Cuts down up to 100mm (4") per side
4. 100 slat capacity

LxWxH (cm)	98 x 74 x 125
Weight	128kg

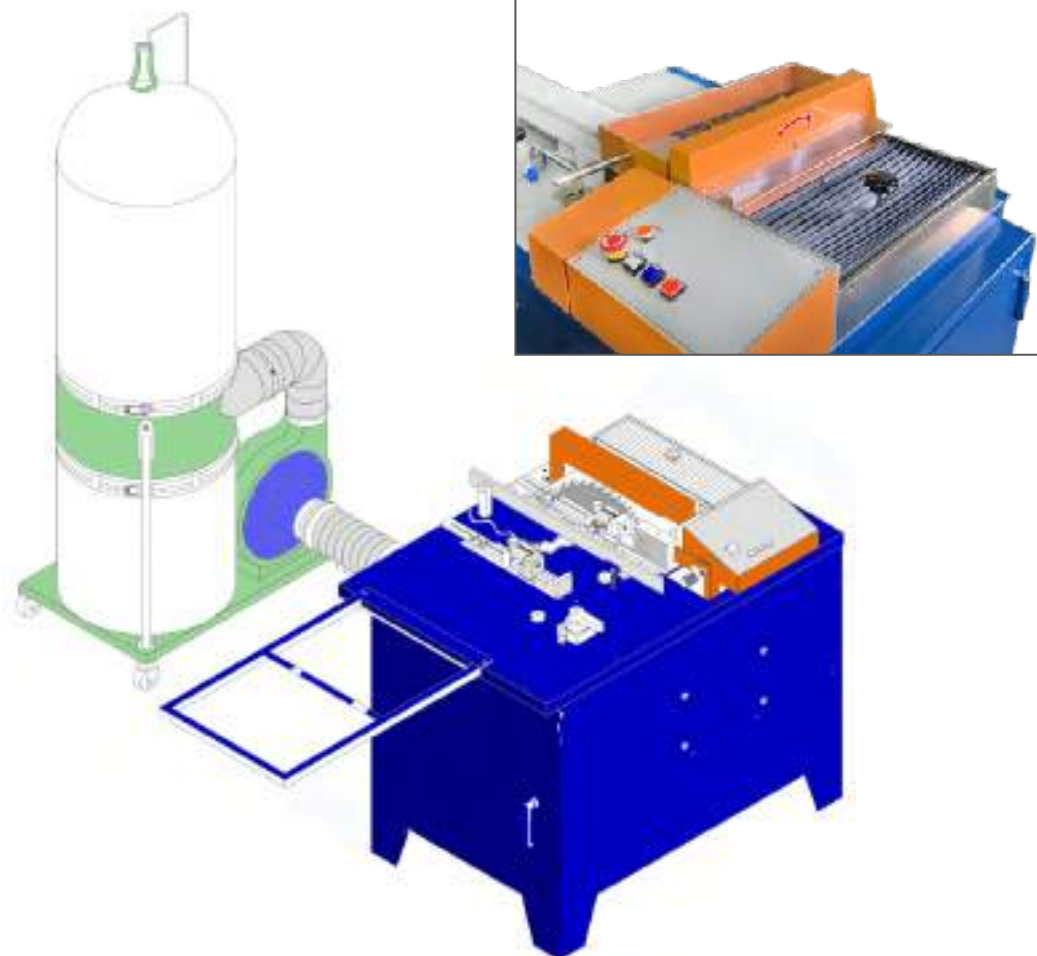


# M1COT-805

## WOODEN VENETIAN BLINDS CUT-DOWN MACHINE

1. Works with slat from 25 to 50mm
2. Cleanly cuts wood and faux wood blinds
3. Includes dust collector
4. Requires 6~8kg/cm<sup>2</sup> air supply
5. 3 phase, voltage to customer requirements

Max slat length	240cm
LxWxH (cm)	206 x 106 x 135
L include feed table	390cm
Weight	660kg



# M1COT-805-1

## WOODEN VENETIAN SLATS CUTTING MACHINE

1. Trimming wooden/foam wood slats to your desired length
2. Avoid human error during operation
3. Clean cutting edge
4. Can operate from 25mm to 50mm wooden/foam wood slats
5. Dust collector included
6. Easy maintain and operation

Current	3 phase only
Max slat length	2.4m
Employable pressure	6~8kg/cm <sup>2</sup>
LxWxH (cm)	3400 x 450 x 900
N.W./G.W.	580/766kgs



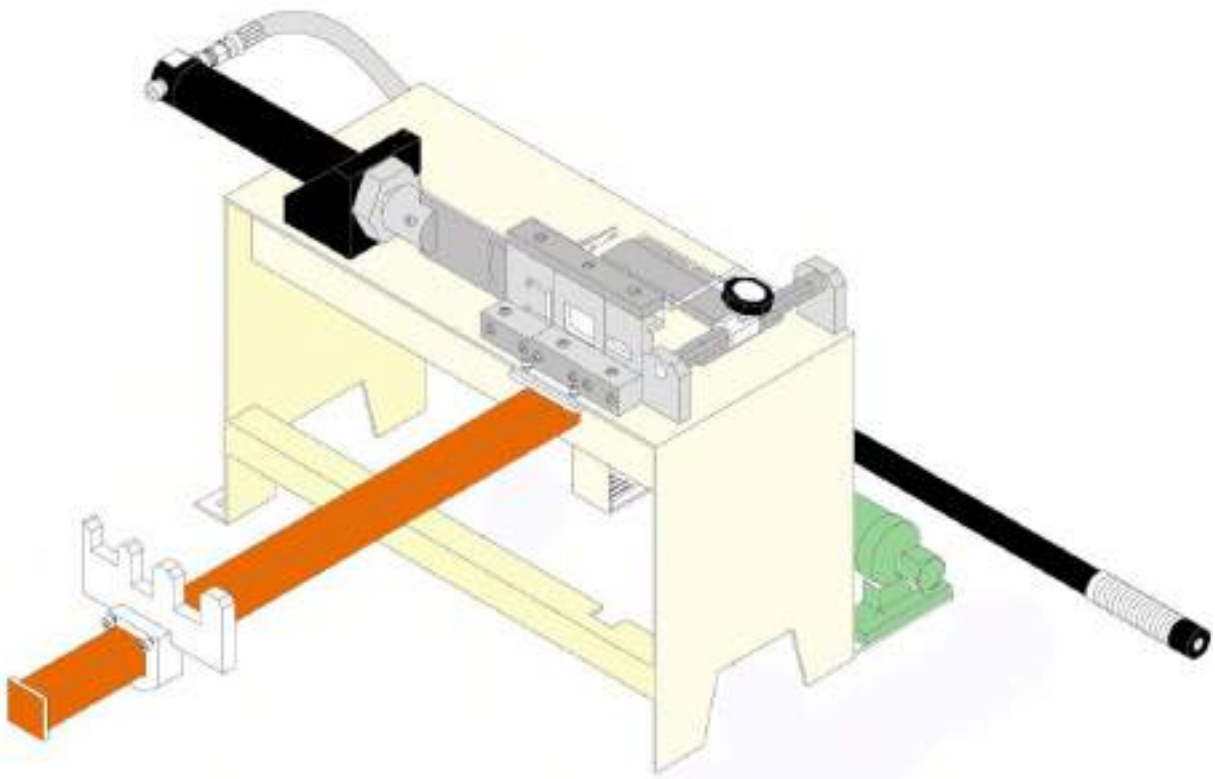
## M1COT-806

### MANUAL OPERATION VENETIAN BLINDS CUT-DOWN MACHINE

25MM ALUMINIUM SLAT

1. Single operation cuts headrail, slat and bottom rail
2. Manually operated hydraulic pump with 10-seconds cycle
3. Cuts down up to 100mm (4") per side
4. 100 slat capacity

LxWxH (cm)	46 x 25 x 31
Weight	20kg

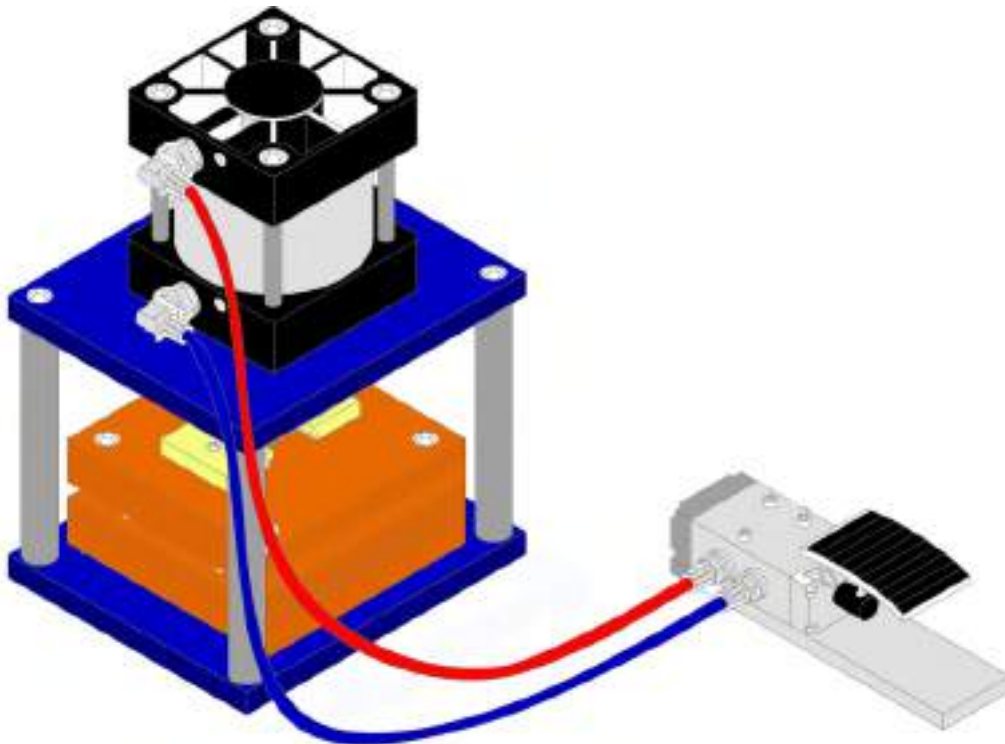


# M1COT-500

## PNEUMATIC OPERATION VERTICAL VANE MACHINE

1. Available options for 89, 127mm, or set 89/127mm
2. Single stroke pneumatic action
3. Cuts vane
4. Punches hole for slat hanger
5. Creases vane for slat hanger and bottom weight
6. Table top mounting
7. Floor foot pedal control
8. Requires 5kg/cm<sup>2</sup> air supply

LxWxH (cm)	36 x 28 x 58
Weight	43kg



## M1COT-515

### AUTOMATIC VERTICAL VANES CUT-DOWN MACHINE

CUTTING, PUNCHING, CREASING AND AUTO STACKING

1. Cut, punch, crease 89/127mm vertical vane in one cycle
2. Compact design
3. Easy setting of vane length
4. Easy change from 89 to 127mm width with simple adjustment
5. Auto stacking after cut off vane
6. Swatch cutting optional
7. Compressor necessary
8. Easy maintain and operation
9. Requires 5kg/cm<sup>2</sup> air supply
10. Single phase 220v 50/60 Hz supply

Max vane length	900cm
Output	26m/min
Output (samples)	28m/min
LxWxH (cm)	94 x 65 x 70
Weight	98kg



## M1COT-512

### **AUTOMATIC PUNCHING MACHINE - DIE INCLUDED**

VERTICAL SLITTING VANE MACHINE

1. For punching holes in fixing profiles for fabric
2. Hole size can be customized
3. Table size: 210cm (W) x 120cm (L)
4. 220 volts 50 Hz



## M1COT-501P

### AUTOMATIC PUNCHING MACHINE - DIE INCLUDED

1. For punching holes in fixing profiles for fabric
2. Hole size can be customized
3. Table size: 210cm (W) x 120cm (L)
4. 220 volts 50 Hz



# M1COT-516

## MANUAL OPERATION EYELETING MACHINE

1. Hand press operation
2. Available for eyelets with outer diameters from 2mm to 5mm

LxWxH (cm)	30 x 10 x 35
N.W./G.W.	6.3/6.8kg



# M1COT-516S

## SEMI AUTO TABLE EYELETING MACHINE

1. Pedal riveting operation
2. Easy operation and maintenance
3. Interchangeable molds for different sizes of eyelets
4. Rivet die dimensions available from 5mm to 21mm

LxWxH (cm)	107 x 78 x 90
N.W./G.W.	110/155kg



# M1COT-603

## ALUMINIUM EXTRUSION BENDING MACHINE

1. For producing curves in Aluminium headrail
2. For curtain, hospital cubicle and vertical blinds tracks
3. Each machine is custom made to match extrusion
4. One machine can curve different profiles with additional extra set of wheels
5. Single phase 220v 50/60 Hz supply

LxWxH (cm)	110 x 86 x 125
Weight	215kg



## M1COT-603-1

### ALUMINIUM EXTRUSION BENDING MACHINE – MANUAL

1. For producing curves in Aluminium headrail
2. For curtain, hospital cubicle and vertical blinds tracks
3. Each machine is custom made to match extrusion
4. Wheel size: 30cm diameter

LxWxH (cm)	121 x 81 x 120
Weight	143kg



# M1COT-701

## INSPECTION HOIST – SINGLE COLUMN

1. Foot pedal operation
2. 6 quick release brackets
3. Measuring tape on column
4. 220~240 volts 50/60 Hz

Height	400 ~ 600cm
Width	300cm
Working load	35kg (max)
LxWxH (cm)	412 x 46 x 70
Weight	200kg

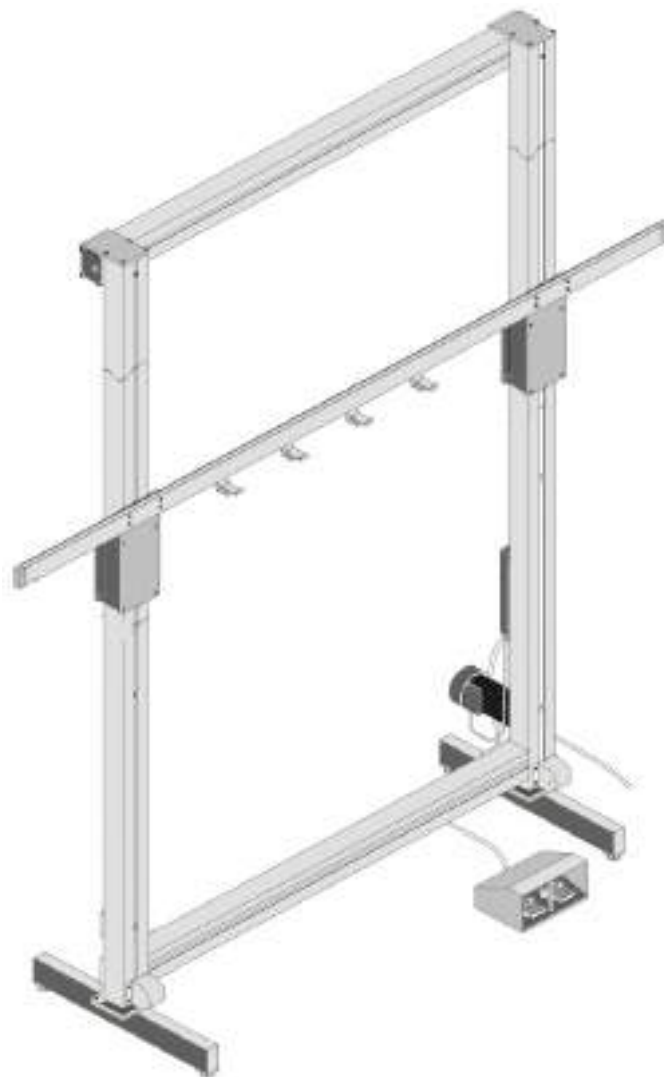


# M1COT-701-1

## INSPECTION HOIST – TWIN COLUMN

1. Steady twin column design
2. Foot pedal operation
3. 6 quick release brackets
4. Measuring tape on columns
5. 220~240 volts 50/60 Hz

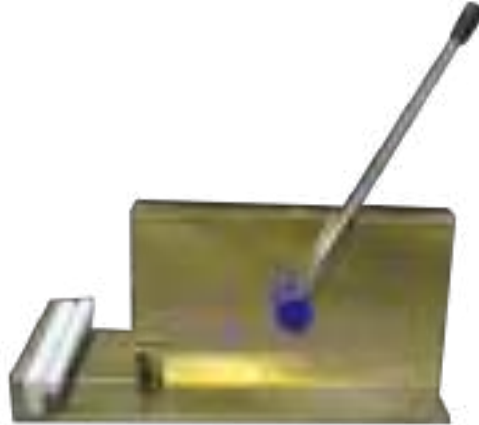
Height	400 ~ 600cm
Width	300cm
Working load	35kg (max)
LxWxH (cm)	412 x 78 x 225
Weight	418kg



## M1COT-101-P

### PLEATED AND HONEYCOMB FABRIC MANUAL CUTTING MACHINE

1. Easy cutting for pleated and honeycomb fabric
2. Fabric width 25-50mm for cutting; thickness limited in 140mm



## M1COT-101-D

### PLEATED AND HONEYCOMB FABRIC MANUAL DRILLING MACHINE

1. Easy drilling for pleated and honeycomb fabrics
2. Drill bit diameter: 4-8mm
3. Maximum folded fabric thickness: 50mm
4. Drilling distance from edge: 10-210mm
5. Standard stopper range per side: 20-300mm
6. Spindle speed: 3600 rpm / Power: 1/2 HP
7. 110/220 volts 50/60 Hz

LxWxH (cm)	55 x 71 x 76
Weight	58kg

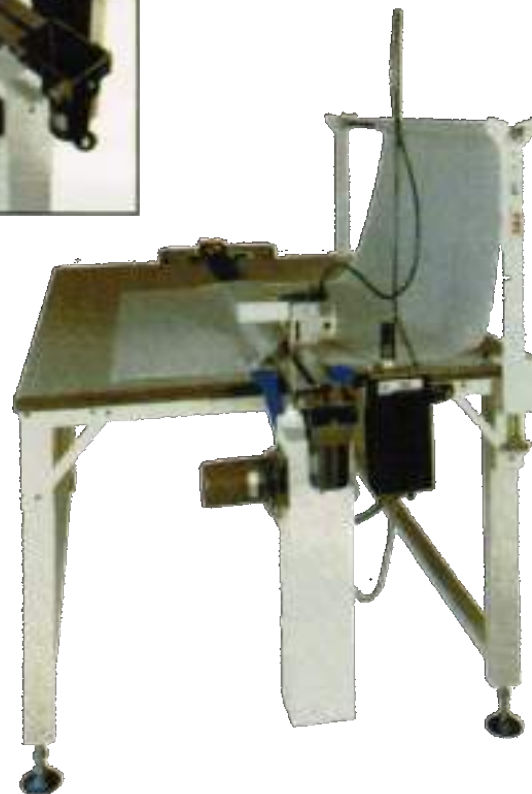


# M1COT-610A

## AUTOMATIC END CUTTER FOR ROLLER FABRIC

1. Easy install
2. One key operate
3. Can set the cutting length
4. Elavating drop is adjustable
5. High speed motor for any fabric cuttable
6. Auto counting and sharpening device
7. Table size: 210cm (W) x 120cm (L)

Total Cuft	8.68cuft
Total weight	48.5kg

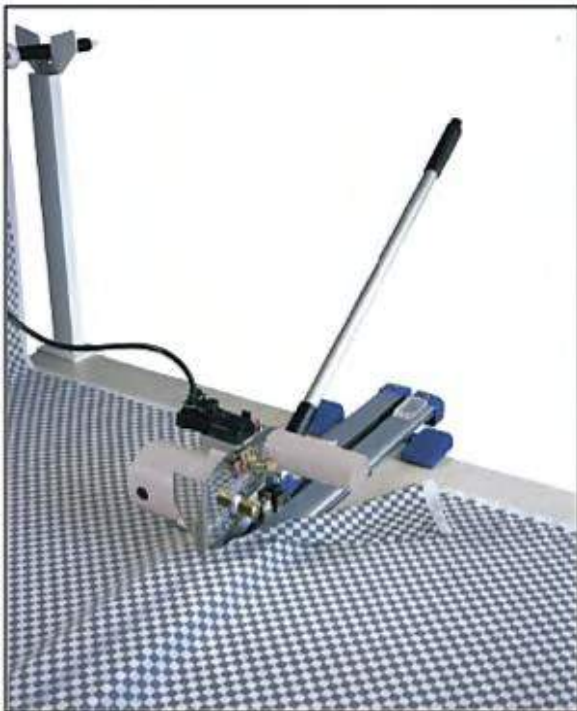


# M1COT-610M

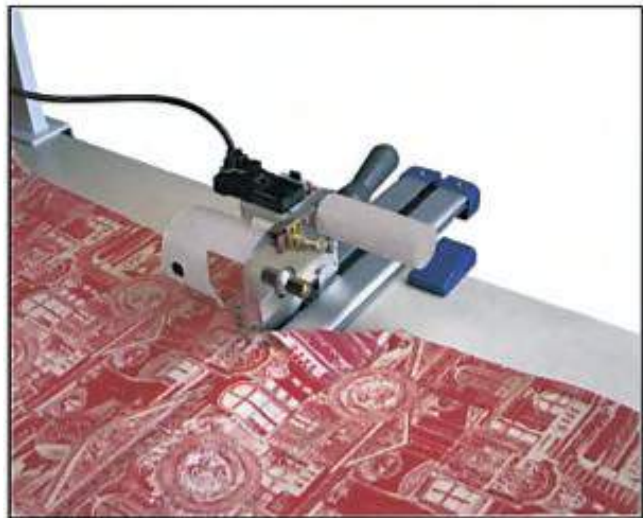
## MANUAL END CUTTER

1. Easy install
2. Easy operate
3. Even and exactly cutting edge to save material and time
4. High speed motor for any fabric can be cut easily
5. Automatic counting device
6. Short and long handle for option

Total Cuft	3.25cuft
Total weight	23.5kg



**Long handle**



**Short handle**

# M1COT-860NB

## ROLLER FABRIC CUTTER – ROTARY CUTTER

1. Microcomputer control system - Automatic back and forth, cutting, calculating and knife sharpening device
2. Wireless type: prevent power cable to be damaged by cutting of the knife. Convenient, durable and safe
3. The cutting length can be set and adjusted
4. Optional choice: clamp rail for steady fabrics; Round rolling slot for easily pulling fabric; Table if needed
5. Rail length available for 150, 205, 250 and 300cm
6. Available cutting sunscreen, blockout, zebra fabric
7. Patent: the knife runs inside the rail wirelessly from the conduct of electricity

	Motor+Cutter	Rail 345cm
LxWxH (cm)	72 x 46 x 20	352 x 11 x 12
Weight	13.3kgs	8kgs



## M1COT-88P

### ROLLER FABRIC CUTTING MACHINE – CRUSH CUT FOR ROLLER BLINDS

1. Circular blade cutter
2. Crisp Edge cutting qualities
3. Free rolling feed rollers
4. Pneumatic clamp bar
5. Manual full width slide stopper with ruler
6. Adjustable leveling feet
7. Minimal maintenance required
8. Cutting Capacities: 3.2m (W) × 4m (Length of table)
9. Max Cutting Speed: 0.7m/sec for pressure cut
10. Max Cutting Speed: 0.3m/sec for ultrasonic
11. 6~8 kg/cm<sup>2</sup> compressed air
12. High quality laminated board
13. Air and Power supply required



# M1COT-888T

## ROLLER FABRIC CUTTER – PRESSURE CUTTER & ULTRASONIC CUTTER INTEGRATED

1. A robust pressure cutter from Germany
2. Integrated ultrasonic cutter with simple procedure to switch (Euro made)
3. Crisp Edge cutting qualities
4. Edge sealing via ultrasonic cutting
5. Free rolling feed rollers
6. Pneumatic clamp bars
7. Manual full width slide stopper with ruler
8. Adjustable leveling feet
9. Minimal maintenance required
10. Cutting Capacities: 3.2m (W) x 4m (Length of table)
11. Max Cutting Speed: 0.7m/sec for pressure cut
12. Max Cutting Speed: 0.3m/sec for ultrasonic
13. 6~8 kg/cm compressed air
14. High quality laminated board
15. Air and Power supply required

	Machine	Table & Frame
LxWxH (cm)	473 x 132 x 154	428 x 94 x 178
N.W./G.W.	503/927kgs	337/632kgs



## M1COT-815

### ROLLER BLINDS CUT-DOWN MACHINE

1. Capable to cut max. roller blinds width 3000mm
2. Max. cutting length one side one time: 150mm
3. Two cutter design, one for fabric and the other for aluminium tube
4. Gap between fabric and tube after cut is 1mm
5. Available for single profile, kit for different profile.

LxWxH (cm)	311 x 71 x 140
Weight	150kg



## M1COT-816

### PNEUMATIC OPERATION WELDING MACHINE

1. Fabric with min. 30% PVC requested
2. Welding width: 65cm; manual operation
3. Welding seam: 6mm
4. Voltage to customer requirement
5. Max width for welding is 120cm



## M1COT-910

### CORD WELDING AND CUTTING MACHINE

1. Cord cut, welding with smoothly
2. Safety operation and steady connection
3. Time-optimised welding of pull cords from 3.2mm~3.8mm
4. Controlled heating of the objects to be welded with the aid of a resistance heater
5. Auto-programming heat and cool time to achieve unvarying quality
6. Pneumatic auto cutter (sensor trigger) for ideal preparation of cord welding
7. Requires 5kg/cm<sup>2</sup> air supply

LxWxH (cm)	45 x 40 x 30
Weight	36kg

